

**In Design**

**BIDSHEET**

for

**PROJECT : E2414322  
TELEPHONE AVE CR**

**Work Request: E2414322**  
**Design No.: TELEPHONE AVE CR**  
**Capital Account: 10720/000/03/7665**  
**Reimbursible Account: / / /**  
**Retirement Account: 10880/326/03/7665**  
**Work Plan No:**

**Project Type: System Improvements**

Reviewed by Designer/Project Engineer: Msalvanera Date: 12/19/24

Reviewed by Supervisor/Manager: Moritz Salvanera  
Brad Jackson Date: 12/19/24  
Supervisor

**Remarks:**

**In Design**

**Project: E2414322**  
TELEPHONE AVE CR

Contractor: \_\_\_\_\_

Assembly Unit	Proposed Quantity	Actual Quantity	Labor	Material	Labor & Material	Extended Labor & Material
750 CONC 15KV	13.695					
BORE	0.850					
CONCRETE	1.000					
CORE DRILL	18.000					
Ground Thawing	0.001					
SHUR2-5	0.020					
SHUR2-6	0.045					
SR1-8	0.001					
STAG-2	5.000					
SUM12C	1.000					
SUM1F	2.000					
SUM1-GPA	7.000					
SUM1H	1.000					
SUM3-10	2.000					
SUM3-10TE	1.000					
SUM5026H	4.683					
SUM6-25F 3 PH	9.000					
SUM6-28F 3 PH	11.000					
SUM6-3F 3 PH	4.000					
SUM6-4EL	8.000					
SUME645F5	34.000					
SUME690F5	24.000					
SUMV-1A	60.000					
SUR2-5	0.131					
SURCR	0.115					
SURL	1.000					
Survey	1.000					
SWPPP-BP	1.000					
Traffic Control	1.000					
WINTER	1.000					
* 4/0 BACU	0.400					

Total Extended Labor & Material This Page \_\_\_\_\_  
 Total Extended Labor & Material Previous Page \_\_\_\_\_  
 Total Extended Labor & Material \_\_\_\_\_

In Design

Project: E2414322  
TELEPHONE AVE CR

Contractor: \_\_\_\_\_

	Assembly Unit	Proposed Quantity	Actual Quantity	Labor	Material	Labor & Material	Extended Labor & Material
*	750 SHLD	1.200					
*	STAG-2	5.000					
*	SUM3D-10	2.000					
*	SUM6-25F 3 PH	1.000					
*	SUM6-28F 3 PH	5.000					
*	SUM6-3F 3 PH	12.000					
A	4/0 BACU	3.480					
A	750 SHLD	10.440					
A	SUM5016P	0.200					
A	SUM5026P	0.100					

Total Extended Labor & Material This Page \_\_\_\_\_  
 Total Extended Labor & Material Previous Page \_\_\_\_\_  
 Total Extended Labor & Material \_\_\_\_\_

## RIGHT-OF-WAY REPORT

WORK ORDER NO. E2414322/RW24678

DATE: December 20, 2024

SUBJECT: ACS Subdivision, Tract B  
Urgent UG Feeder Cable Replacement Project  
Grid 1731, Map Book 1303-30D

An "X" in the enclosed parenthesis below indicates the listed requirement has been obtained; the enclosed parenthesis without an "X" indicates the listed requirement has not been obtained as of the date of this report.

### **Easement Rights:**

- (X) 1. Dedicated by Plats (2012-81 and 2013-111).
- (X) 2. CEA Specific Easement Tract 2, recorded 11/19/2024.  
at Doc. No. 2024-032606-0.
- ( ) 3. CEA Specific Easement ACS Subdivision Tract B, will be acquired with submission of an As-built upon completion of the project.
- ( ) 4. CEA Temporary Construction Easement is being negotiated to install and work within the proposed easement and will remain in place until such a time as a specific easement is granted and recorded.
- ( ) 5. Notice of Construction Letters will be sent upon tentative construction dates submitted to Land Services.

### **Permits:**

- ( ) 1. MOA ROW Permit R242228-1000, approved for 2024-2025 Winter Construction pending TCP approval and Change Order once TCP is approved.

**NOTE:** Chosen contractor will need to obtain tan approved TCP and submit to MOA ROW under CEA Permit Number \*\*\*\*A copy of the approved TCP is required to be submitted to CEA Land Services from contractor.

- (X) 2. No construction activity was identified in standing or running water.  
**No Wetlands Permits have been obtained.**

### **Clearing:**

- (X) 1. Minimal clearing will be performed in easement and proposed easement area.
- (X) 2. No Wetlands were identified in the project area.

*Lorraine A. Lehman*

---

Lorraine A. Lehman  
Right-of-Way Agent I

**In Design  
STAKING SHEET**

for

**PROJECT: E2414322**

**TELEPHONE AVE CR**

**Work Request:** E2414322  
**Design:** TELEPHONE AVE CR  
**Capital Account:** 10720/000/03/7665  
**Reimbursible Account:** / / /  
**Retirement Account:** 10880/326/03/7665  
**Work Plan No:**  
**Project Type:** System Improvements  
**Work Order Number:**

Reviewed by Designer/Project Engineer: Msalvanera Date: 12/19/24

Reviewed by Supervisor/Manager: Moritz Salvanera  
Brad Jackson Date: 12/19/24  
 Supervisor

**Remarks:**

Chugach Electric Association  
 5601 Electron Drive  
 Anchorage, AK 99518

Designer \_\_\_\_\_ Date \_\_\_/\_\_\_/\_\_\_

Checker \_\_\_\_\_ Date \_\_\_/\_\_\_/\_\_\_

Manager \_\_\_\_\_ Date \_\_\_/\_\_\_/\_\_\_

Project: E2414322

Design: TELEPHONE AVE CR

In Design

TELEPHONE AVE CR

Grid:

**Structure: 00. GENERAL**

Assembly Unit	Activity	#Cond	Qty	Unit Description	Complete	Qty
CONCRETE	Install	0	1	CONCRETE (CONCRETE)		
Ground Thawing	Install	1	1	Ground Thawing (Ground Thawing)		
SR1-8	Install	1	1	SR1-8 (CLEARING, 8' FOR UG LINES)		
SURL	Install	0	1	SURL (LANDSCAPING)		
Survey	Install	0	1	Survey (Survey (Direct Cost))		
SWPPP-BP	Install	0	1	SWPPP-BP (STORM WATER PLAN - BP)		
Traffic Control	Install	0	1	Traffic Control (Traffic Control)		
WINTER	Install	0	1	WINTER Construct (WINTER Construct)		

Remarks:

- GROUND THAWING IS A LUMP SUM UNIT DISTRIBUTED THROUGHOUT THE PROJECT.
- SR-8 IS A LUMP SUM UNIT DISTRIBUTED THROUGHOUT THE PROJECT AND TO BE UTILIZED FOR THE REMOVAL OF ITEMS IN CONFLICT WITH THE INSTALLATION OF FACILITIES LIKE TREES, ROOTS, BRUSH, STUMPS OR UNDERGROWTH.
- SURL IS A LUMP SUM UNIT TO COVER THE COST OF RESTORATION IN THE SPRING.
- CONCRETE IS A LUMP SUM UNIT TO COVER THE COST OF TEMP CONCRETE PATCH FOR THE TRENCH LINE ACROSS TELEPHONE AVE. AND REPAIR OF ASPHALT IN THE SPRING. PATCH TO MEET MOA REQUIREMENTS SPECIFIED IN THE PERMIT & RESTORATION TO MEET MOA STANDARD SPECIFICATION FOR PAVED ROAD CROSSINGS.
- COORDINATE CABLE TAGGING INSIDE SUB 16 WITH HANAH OTTEN 907-762-7621 / 907-615-9441 (CEA SUBSTATION TECH).

**Structure: 01. VAULT 5082**

Assembly Unit	Activity	#Cond	Qty	Unit Description	Complete	Qty
SUM6-28F 3 PH	Install	0	1	SUM6-28F (750 MCM PRIMARY SPLICE)		
SUM6-28F 3 PH	Install	0	1	SUM6-28F (750 MCM PRIMARY SPLICE)		
SUM6-28F 3 PH	Install	0	1	SUM6-28F (750 MCM PRIMARY SPLICE)		
SUMV-1A	Install	0	12	CABLE RACK RAO8		
SUM6-28F 3 PH	Remove	0	1	SUM6-28F (750 MCM PRIMARY SPLICE)		
SUM6-28F 3 PH	Remove	0	1	SUM6-28F (750 MCM PRIMARY SPLICE)		
SUM6-28F 3 PH	Remove	0	1	SUM6-28F (750 MCM PRIMARY SPLICE)		
SUPV-814	Existing	0	1	Pull Vault 8x14x8		

Remarks: - S16F5, S16F7, S16F8

**Structure: 02. SC 1248 S16F7**

Assembly Unit	Activity	#Cond	Qty	Unit Description	Complete	Qty
750 CONC 15KV	Install	3	875	750 CONC 15KV (WIRE, AL JCN 750MCM EPR)		
SUM1F	Install	0	1	SUM1F (CONCRETE PAD 600 A SWITCH CAB.)		
SUM1-GPA	Install	0	1	SUM1-GPA (GUARD POST W/SLEEVE)		
SUM1-GPA	Install	0	1	SUM1-GPA (GUARD POST W/SLEEVE)		
SUM1-GPA	Install	0	1	SUM1-GPA (GUARD POST W/SLEEVE)		
SUM3-10	Install	0	1	SUM3-10 (600 A SC 4 SWITCHES)		
SUM5026H	Install	1	875	SUM5026H - Conduit ((2) 6" HDPE CONDUIT)		
SUM6-25F 3 PH	Install	0	1	SUM6-25F (750 MCM PRIMARY TERMINATION)		
SUM6-25F 3 PH	Install	0	1	SUM6-25F (750 MCM PRIMARY TERMINATION)		
SUM6-25F 3 PH	Install	0	1	SUM6-25F (750 MCM PRIMARY TERMINATION)		
SUM6-25F 3 PH	Install	0	1	SUM6-25F (750 MCM PRIMARY TERMINATION)		
SUM6-4EL	Install	0	1	3-PH UG CURNT RESET FI, 600A TRIP		
SUM6-4EL	Install	0	1	3-PH UG CURNT RESET FI, 600A TRIP		
SUM6-4EL	Install	0	1	3-PH UG CURNT RESET FI, 600A TRIP		
SUME645F5	Install	0	12	SUME645F5 (6" FG 45 60")		

Remarks:

- DOORS TO OPEN EAST/WEST.
- IN COMMON BORE/TRENCH WITH WL 06 SC 1250.
- (4) SUME645F5 ARE FOR HORIZONTAL SWEEPS INTO V 5082.
- SET BOLLARDS ON SOUTH & EAST SIDE OF SC.
- INSTALL FAULT INDICATOR IN COMP 1, 2, 4.

\*\*\* S16F7 \*\*\*

**Structure: 03. V98G S16F7**

Assembly Unit	Activity	#Cond	Qty	Unit Description	Complete	Qty
750 CONC 15KV	Install	3	120	750 CONC 15KV (WIRE, AL JCN 750MCM EPR)		
750 CONC 15KV	Install	3	120	750 CONC 15KV (WIRE, AL JCN 750MCM EPR)		
750 CONC 15KV	Install	3	120	750 CONC 15KV (WIRE, AL JCN 750MCM EPR)		
CORE DRILL	Install	0	6	CORE DRILL (CORE DRILL HOLE THRU VAULT)		
SUM5026H	Install	1	120	SUM5026H - Conduit ((2) 6" HDPE CONDUIT)		

Chugach Electric Association  
 5601 Electron Drive  
 Anchorage, AK 99518

Designer/Project Engineer \_\_\_\_\_ Date \_\_\_\_/\_\_\_\_/\_\_\_\_  
 Checker \_\_\_\_\_ Date \_\_\_\_/\_\_\_\_/\_\_\_\_  
 Manager/Supervisor \_\_\_\_\_ Date \_\_\_\_/\_\_\_\_/\_\_\_\_

Project: E2414322

Design: TELEPHONE AVE CR

In Design

TELEPHONE AVE CR

Grid:

**Structure: 03. V98G S16F7**

Assembly Unit	Activity	#Cond	Qty	Unit Description	Complete	Qty
SUM5026H	Install	1	120	SUM5026H - Conduit ((2) 6" HDPE CONDUIT)		
SUM5026H	Install	1	120	SUM5026H - Conduit ((2) 6" HDPE CONDUIT)		
SUM6-28F 3 PH	Install	0	1	SUM6-28F (750 MCM PRIMARY SPLICE)		
SUM6-28F 3 PH	Install	0	1	SUM6-28F (750 MCM PRIMARY SPLICE)		
SUM6-28F 3 PH	Install	0	1	SUM6-28F (750 MCM PRIMARY SPLICE)		
SUME690F5	Install	0	6	SUME690F5 (6" FG 90 60")		
SUMV-1A	Install	0	12	CABLE RACK RAO8		
4/0 BACU	Remove	1	100	4/0 BACU Wire (4/0 BARE COPPER NEUTRAL)		
750 SHLD	Remove	3	100	750 SHLD PRIMARY		
SUM3D-10	Remove	0	1	12KV SBM SWITCH - 600A 4-WAY		
SUM6-3F 3 PH	Remove	0	1	DEAD BREAK ELBOW 750 MCM		
SUM6-3F 3 PH	Remove	0	1	DEAD BREAK ELBOW 750 MCM		
SUM6-3F 3 PH	Remove	0	1	DEAD BREAK ELBOW 750 MCM		
SUM6-3F 3 PH	Remove	0	1	DEAD BREAK ELBOW 750 MCM		
SUM6-3F 3 PH	Remove	0	1	DEAD BREAK ELBOW 750 MCM		
SUM6-3F 3 PH	Remove	0	1	DEAD BREAK ELBOW 750 MCM		
4/0 BACU	Abandon	1	873	4/0 BACU Wire (4/0 BARE COPPER NEUTRAL)		
750 SHLD	Abandon	3	873	750 SHLD PRIMARY		
SUM5026P	Abandon	1	100	SUM5026P - Conduit ((2) 6" PVC CONDUIT)		

Remarks: - IN COMMON TRENCH WITH WL 09 V98G,  
 - (6) SUME690F5 FOR HORIZONTAL TURN ACROSS TELEPHONE AVE INTO VAULT 98G.  
 - RETIRE SF-803. REMOVE ALL TERMINATIONS AND SPLICE W/ NEW CABLES GOING BACK TO SC 1248.  
 - INTERCEPT & PULL OUT EXISTING 750 SHLD AT BOTH ENDS OF 6" PVC CONDUIT ROAD CROSSING GOING INTO VAULT, ABANDON REST OF CABLE GOING WEST TO V5082. CAP & ABANDON CONDUITS.

\*\*\* S16F7 - SEE VAULT DIAGRAM/PCD FOR CABLE SPLICING DETAILS \*\*\*

\*\*\* RETURN TO WL 01. VAULT 5082 \*\*\*

**Structure: 04. SC 1249 S16F5**

Assembly Unit	Activity	#Cond	Qty	Unit Description	Complete	Qty
750 CONC 15KV	Install	3	885	750 CONC 15KV (WIRE, AL JCN 750MCM EPR)		
SUM1F	Install	0	1	SUM1F (CONCRETE PAD 600 A SWITCH CAB.)		
SUM1-GPA	Install	0	1	SUM1-GPA (GUARD POST W/SLEEVE)		
SUM1-GPA	Install	0	1	SUM1-GPA (GUARD POST W/SLEEVE)		
SUM3-10	Install	0	1	SUM3-10 (600 A SC 4 SWITCHES)		
SUM5026H	Install	1	885	SUM5026H - Conduit ((2) 6" HDPE CONDUIT)		
SUM6-25F 3 PH	Install	0	1	SUM6-25F (750 MCM PRIMARY TERMINATION)		
SUM6-25F 3 PH	Install	0	1	SUM6-25F (750 MCM PRIMARY TERMINATION)		
SUM6-25F 3 PH	Install	0	1	SUM6-25F (750 MCM PRIMARY TERMINATION)		
SUM6-25F 3 PH	Install	0	1	SUM6-25F (750 MCM PRIMARY TERMINATION)		
SUM6-4EL	Install	0	1	3-PH UG CURNT RESET FI, 600A TRIP		
SUM6-4EL	Install	0	1	3-PH UG CURNT RESET FI, 600A TRIP		
SUM6-4EL	Install	0	1	3-PH UG CURNT RESET FI, 600A TRIP		
SUME645F5	Install	0	12	SUME645F5 (6" FG 45 60")		
SUME690F5	Install	0	2	SUME690F5 (6" FG 90 60")		

Remarks: - DOORS TO OPEN EAST/WEST.  
 - IN COMMON BORE/TRENCH WITH WL 06 SC 1250.  
 - (2) SUME690F5 ARE FOR HORIZONTAL TURN INTO SC 1249.  
 - (4) SUME645F5 ARE FOR HORIZONTAL SWEEPS INTO V 5082.  
 - SET BOLLARDS ON EAST SIDE OF SC.  
 - INSTALL FAULT INDICATOR IN COMP 1, 2, 4.

\*\*\* S16F5 \*\*\*

**Structure: 05. V98G S16F5**

Assembly Unit	Activity	#Cond	Qty	Unit Description	Complete	Qty
750 CONC 15KV	Install	3	130	750 CONC 15KV (WIRE, AL JCN 750MCM EPR)		
750 CONC 15KV	Install	3	130	750 CONC 15KV (WIRE, AL JCN 750MCM EPR)		
750 CONC 15KV	Install	3	130	750 CONC 15KV (WIRE, AL JCN 750MCM EPR)		
CORE DRILL	Install	0	6	CORE DRILL (CORE DRILL HOLE THRU VAULT)		
SUM5026H	Install	1	130	SUM5026H - Conduit ((2) 6" HDPE CONDUIT)		
SUM5026H	Install	1	130	SUM5026H - Conduit ((2) 6" HDPE CONDUIT)		
SUM5026H	Install	1	130	SUM5026H - Conduit ((2) 6" HDPE CONDUIT)		

Chugach Electric Association	Designer/Project Engineer	_____	Date	___/___/___
5601 Electron Drive	Checker	_____	Date	___/___/___
Anchorage, AK 99518	Manager/Supervisor	_____	Date	___/___/___

Project: E2414322

Design: TELEPHONE AVE CR

In Design

TELEPHONE AVE CR

Grid:

**Structure: 05. V98G S16F5**

Assembly Unit	Activity	#Cond	Qty	Unit Description	Complete	Qty
SUM6-28F 3 PH	Install	0	1	SUM6-28F (750 MCM PRIMARY SPLICE)		
SUM6-28F 3 PH	Install	0	1	SUM6-28F (750 MCM PRIMARY SPLICE)		
SUM6-28F 3 PH	Install	0	1	SUM6-28F (750 MCM PRIMARY SPLICE)		
SUME690F5	Install	0	6	SUME690F5 (6" FG 90 60")		
SUMV-1A	Install	0	12	CABLE RACK RAO8		
4/0 BACU	Remove	1	100	4/0 BACU Wire (4/0 BARE COPPER NEUTRAL)		
750 SHLD	Remove	3	100	750 SHLD PRIMARY		
SUM3D-10	Remove	0	1	12KV SBM SWITCH - 600A 4-WAY		
SUM6-3F 3 PH	Remove	0	1	DEAD BREAK ELBOW 750 MCM		
SUM6-3F 3 PH	Remove	0	1	DEAD BREAK ELBOW 750 MCM		
SUM6-3F 3 PH	Remove	0	1	DEAD BREAK ELBOW 750 MCM		
SUM6-3F 3 PH	Remove	0	1	DEAD BREAK ELBOW 750 MCM		
SUM6-3F 3 PH	Remove	0	1	DEAD BREAK ELBOW 750 MCM		
SUM6-3F 3 PH	Remove	0	1	DEAD BREAK ELBOW 750 MCM		
4/0 BACU	Abandon	1	873	4/0 BACU Wire (4/0 BARE COPPER NEUTRAL)		
750 SHLD	Abandon	3	873	750 SHLD PRIMARY		
SUM5016P	Abandon	1	100	SUM5016P - Conduit ((1) 6" PVC CONDUIT)		

Remarks: - IN COMMON TRENCH WITH WL 09 V98G,  
 - (6) SUME690F5 FOR HORIZONTAL TURN ACROSS TELEPHONE AVE INTO VAULT 98G.  
 - RETIRE SF-804. REMOVE ALL TERMINATIONS AND SPLICE W/ NEW CABLES GOING BACK TO SC 1249.  
 - INTERCEPT & PULL OUT EXISTING 750 SHLD AT BOTH ENDS OF 6" PVC CONDUIT ROAD CROSSING GOING INTO VAULT, ABANDON REST OF CABLE GOING WEST TO V5082. CAP & ABANDON CONDUIT.

\*\*\* S16F5 - SEE VAULT DIAGRAM/PCD FOR CABLE SPLICING DETAILS \*\*\*

\*\*\* RETURN TO WL 01. VAULT 5082 \*\*\*

**Structure: 06. SC 1250 S16F8**

Assembly Unit	Activity	#Cond	Qty	Unit Description	Complete	Qty
750 CONC 15KV	Install	3	895	750 CONC 15KV (WIRE, AL JCN 750MCM EPR)		
BORE	Install	1	850	BORE		
SHUR2-6	Install	1	45	SHUR2-6 (HAND DIGGING DEEP TRENCH)		
SUM1-GPA	Install	0	1	SUM1-GPA (GUARD POST W/SLEEVE)		
SUM1-GPA	Install	0	1	SUM1-GPA (GUARD POST W/SLEEVE)		
SUM1H	Install	0	1	SUM1H (CONCRETE PAD 600A SC)		
SUM3-10TE	Install	0	1	600 A SC 4 SWCH + 1 BUS SWTCH		
SUM5026H	Install	1	895	SUM5026H - Conduit ((2) 6" HDPE CONDUIT)		
SUM6-3F 3 PH	Install	0	1	DEAD BREAK ELBOW 750 MCM		
SUM6-3F 3 PH	Install	0	1	DEAD BREAK ELBOW 750 MCM		
SUM6-4EL	Install	0	1	3-PH UG CURNT RESET FI, 600A TRIP		
SUME645F5	Install	0	8	SUME645F5 (6" FG 45 60")		
SUME690F5	Install	0	2	SUME690F5 (6" FG 90 60")		

Remarks: - DOORS TO OPEN WEST.  
 - (2) SUME690F5 ARE FOR HORIZONTAL TURN INTO SC 1250.  
 - (4) SUME645F5 ARE FOR HORIZONTAL SWEEPS INTO V 5082.  
 - SET BOLLARDS ON EAST SIDE OF SC.  
 - INSTALL FAULT INDICATOR IN COMP 2.

**Structure: 07. SC 203M S16F6**

Assembly Unit	Activity	#Cond	Qty	Unit Description	Complete	Qty
SUM6-25F 3 PH	Install	0	1	SUM6-25F (750 MCM PRIMARY TERMINATION)		
SUME645F5	Install	0	2	SUME645F5 (6" FG 45 60")		
SUM6-25F 3 PH	Remove	0	1	SUM6-25F (750 MCM PRIMARY TERMINATION)		

Remarks:

**Structure: 08. SC 1250 S16F6**

Assembly Unit	Activity	#Cond	Qty	Unit Description	Complete	Qty
750 CONC 15KV	Install	3	880	750 CONC 15KV (WIRE, AL JCN 750MCM EPR)		
SHUR2-5	Install	1	10	SHUR2-5 (PRIMARY TRENCH HAND -DIG)		
SUM5026H	Install	1	880	SUM5026H - Conduit ((2) 6" HDPE CONDUIT)		
SUM6-3F 3 PH	Install	0	1	DEAD BREAK ELBOW 750 MCM		
SUM6-3F 3 PH	Install	0	1	DEAD BREAK ELBOW 750 MCM		
SUM6-4EL	Install	0	1	3-PH UG CURNT RESET FI, 600A TRIP		
SUME690F5	Install	0	2	SUME690F5 (6" FG 90 60")		

Chugach Electric Association  
 5601 Electron Drive  
 Anchorage, AK 99518

Designer/Project Engineer \_\_\_\_\_ Date \_\_\_\_/\_\_\_\_/\_\_\_\_  
 Checker \_\_\_\_\_ Date \_\_\_\_/\_\_\_\_/\_\_\_\_  
 Manager/Supervisor \_\_\_\_\_ Date \_\_\_\_/\_\_\_\_/\_\_\_\_



Project: E2414322

Design: TELEPHONE AVE CR

In Design

TELEPHONE AVE CR

Grid:

**Structure: 08. SC 1250 S16F6**

<u>Assembly Unit</u>	<u>Activity</u>	<u>#Cond</u>	<u>Qty</u>	<u>Unit Description</u>	<u>Complete</u>	<u>Qty</u>
SUR2-5	Install	1	1	SUR2-5 (PRIMARY TRENCH)		

Remarks: - IN COMMON BORE/TRENCH WITH WL 06 SC 1250.  
 - SHUR2-5 TO INTERCEPT BORED CONDUITS & EXTEND CONDUITS INTO SC 203M.  
 - (2) SUME690F5 ARE FOR HORIZONTAL TURN INTO SC 1250.  
 - INSTALL FAULT INDICATOR IN COMP 1.

**Structure: 09. V98G S16F6 / F8**

<u>Assembly Unit</u>	<u>Activity</u>	<u>#Cond</u>	<u>Qty</u>	<u>Unit Description</u>	<u>Complete</u>	<u>Qty</u>
750 CONC 15KV	Install	3	140	750 CONC 15KV (WIRE, AL JCN 750MCM EPR)		
750 CONC 15KV	Install	3	140	750 CONC 15KV (WIRE, AL JCN 750MCM EPR)		
CORE DRILL	Install	0	6	CORE DRILL (CORE DRILL HOLE THRU VAULT)		
SHUR2-5	Install	1	10	SHUR2-5 (PRIMARY TRENCH HAND -DIG)		
SUM12C	Install	0	1	UG LOCATOR DISC		
SUM5026H	Install	1	140	SUM5026H - Conduit ((2) 6" HDPE CONDUIT)		
SUM5026H	Install	1	140	SUM5026H - Conduit ((2) 6" HDPE CONDUIT)		
SUM5026H	Install	1	118	SUM5026H - Conduit ((2) 6" HDPE CONDUIT)		
SUM6-28F 3 PH	Install	0	1	SUM6-28F (750 MCM PRIMARY SPLICE)		
SUM6-28F 3 PH	Install	0	1	SUM6-28F (750 MCM PRIMARY SPLICE)		
SUME690F5	Install	0	6	SUME690F5 (6" FG 90 60")		
SUMV-1A	Install	0	24	CABLE RACK RAO8		
SUR2-5	Install	1	130	SUR2-5 (PRIMARY TRENCH)		
SURCR	Install	1	115	SURCR (STATE/MOA ROAD CROSSING)		
4/0 BACU	Remove	1	100	4/0 BACU Wire (4/0 BARE COPPER NEUTRAL)		
4/0 BACU	Remove	1	100	4/0 BACU Wire (4/0 BARE COPPER NEUTRAL)		
750 SHLD	Remove	3	100	750 SHLD PRIMARY		
750 SHLD	Remove	3	100	750 SHLD PRIMARY		
SUM6-28F 3 PH	Remove	0	1	SUM6-28F (750 MCM PRIMARY SPLICE)		
SUM6-28F 3 PH	Remove	0	1	SUM6-28F (750 MCM PRIMARY SPLICE)		
4/0 BACU	Abandon	1	861	4/0 BACU Wire (4/0 BARE COPPER NEUTRAL)		
4/0 BACU	Abandon	1	873	4/0 BACU Wire (4/0 BARE COPPER NEUTRAL)		
750 SHLD	Abandon	3	861	750 SHLD PRIMARY		
750 SHLD	Abandon	3	873	750 SHLD PRIMARY		
SUM5016P	Abandon	1	100	SUM5016P - Conduit ((1) 6" PVC CONDUIT)		

Remarks: (6) SUME690F5 FOR HORIZONTAL TURN ACROSS TELEPHONE AVE INTO VAULT 98G.  
 - SPLICE CABLES GOING TO SUB 16 W/ NEW CABLES GOING BACK TO SC 1250.  
 - INTERCEPT & PULL OUT EXISTING 750 SHLD AT BOTH ENDS OF 6" PVC CONDUIT ROAD CROSSING GOING INTO VAULT, ABANDON REST OF CABLE GOING WEST TO V5082 & SC 203M. CAP & ABANDON CONDUITS.  
 -INCLUDE (2) 6" SPARE ROAD CROSSING CONDUITS TO BE STUBBED 5' NORTH INTO ACS LOT NEXT TO SC 1248. CAP CONDUITS AND INSTALL LOCATOR DISK.  
 - IN COMMON TRENCH WITH WL 03.

\*\*\* S16F6 & S16F8 \*\*\*

**Structure: 10. SC 62M**

<u>Assembly Unit</u>	<u>Activity</u>	<u>#Cond</u>	<u>Qty</u>	<u>Unit Description</u>	<u>Complete</u>	<u>Qty</u>
STAG-2	Install	0	1	STAG-2 (PRIMARY CABLE TAG)		
STAG-2	Remove	0	1	STAG-2 (PRIMARY CABLE TAG)		

Remarks: - RE-TAG CABLE TO SC 1248 IN COMP 1.

**Structure: 11. SC 231M**

<u>Assembly Unit</u>	<u>Activity</u>	<u>#Cond</u>	<u>Qty</u>	<u>Unit Description</u>	<u>Complete</u>	<u>Qty</u>
STAG-2	Install	0	1	STAG-2 (PRIMARY CABLE TAG)		
STAG-2	Remove	0	1	STAG-2 (PRIMARY CABLE TAG)		

Remarks: - RE-TAG CABLE TO SC 1249 IN COMP 1.

**Structure: 12. SC 162M**

<u>Assembly Unit</u>	<u>Activity</u>	<u>#Cond</u>	<u>Qty</u>	<u>Unit Description</u>	<u>Complete</u>	<u>Qty</u>
STAG-2	Install	0	1	STAG-2 (PRIMARY CABLE TAG)		
STAG-2	Remove	0	1	STAG-2 (PRIMARY CABLE TAG)		

Remarks: - RE-TAG CABLE TO SC 1250 IN COMP 1.

Chugach Electric Association	Designer/Project Engineer	_____	Date	___/___/___
5601 Electron Drive	Checker	_____	Date	___/___/___
Anchorage, AK 99518	Manager/Supervisor	_____	Date	___/___/___

Project: E2414322

Design: TELEPHONE AVE CR

In Design

TELEPHONE AVE CR

Grid:

Structure: 13. SC 252M

<u>Assembly Unit</u>	<u>Activity</u>	<u>#Cond</u>	<u>Qty</u>	<u>Unit Description</u>	Complete	Qty
STAG-2	Install	0	1	STAG-2 (PRIMARY CABLE TAG)		
STAG-2	Remove	0	1	STAG-2 (PRIMARY CABLE TAG)		

Remarks: - RE-TAG CABLE TO SC 1248 IN COMP 2.

Structure: 14. SC 175M

<u>Assembly Unit</u>	<u>Activity</u>	<u>#Cond</u>	<u>Qty</u>	<u>Unit Description</u>	Complete	Qty
STAG-2	Install	0	1	STAG-2 (PRIMARY CABLE TAG)		
STAG-2	Remove	0	1	STAG-2 (PRIMARY CABLE TAG)		

Remarks: - RE-TAG CABLE TO SC 1249 IN COMP 2.

S & C

PMH 9

SC 62M

Serial Number:

Revised Date:

Manufactured Date:

04/86

Revised WO/JO:

E2414322

Notes:

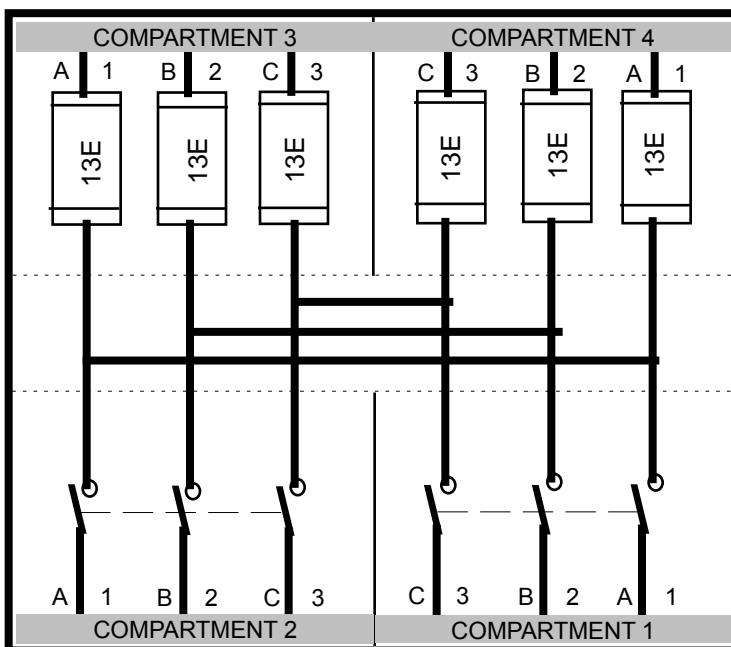
WS: 6059  
WO: 7806

DIRECTION  
(Reference to North)

N



CONDUCTOR	TO:	4/0 SHLD NORTH & WEST TO PM 5719 (E BUSHINGS)	4/0 SHLD NORTH & WEST TO PM 5719 (E BUSHINGS)	4/0 SHLD NORTH & WEST TO PM 5719 (E BUSHINGS)	4/0 SHLD NORTH & WEST TO PM 5719 (W BUSHINGS)	4/0 SHLD NORTH & WEST TO PM 5719 (W BUSHINGS)	4/0 SHLD NORTH & WEST TO PM 5719 (W BUSHINGS)
-----------	-----	---	---	---	---	---	---



Switch #: 14994

Status: CLOSED

Switch #: 14993

Status: CLOSED

Fault Indicators Installed In Compartments:

2

CONDUCTOR	TO:	750MCM SHLD EAST TO SC 175 COMP. 1	750MCM SHLD EAST TO SC 175 COMP. 1	750MCM SHLD EAST TO SC 175 COMP. 1	<del>750MCM SHLD W TO RISER 1631-74B THRU VAULT 74D</del>	<del>750MCM SHLD W TO SC 1248 THRU V 71D, PP 5202, &amp; V 5082 COMP 1</del>	<del>750MCM SHLD W TO RISER 1631-74B THRU VAULT 74D</del>	<del>750MCM SHLD W TO SC 1248 THRU V 71D, PP 5202, &amp; V 5082 COMP 1</del>	<del>750MCM SHLD W TO RISER 1631-74B THRU VAULT 74D</del>	<del>750MCM SHLD W TO SC 1248 THRU V 71D, PP 5202, &amp; V 5082 COMP 1</del>
-----------	-----	------------------------------------	------------------------------------	------------------------------------	---	--	---	--	---	--

Fuse Holder Type:

SML20

Spare Fuse Holder Installed:

NO



LOCATION

North Side of 36th Ave. West of Old Seward at McDonlad's

Grid Map Location No.: 1731- 9102

Inspected by:

Install Date: 8/18/87

Install Work Order ID: 6059

Feeder: SUB 16 - FDR 6

S & C

PMH 11

SC 231M

Serial Number:

Manufactured Date:

07/85

Notes:

WS: 5652/ 6928  
WO: 7111/1466

6ea. 750MCM coils 4' from cabinet, 2-3' deep.

Revised Date:

10/10/24

Revised WO/JO:

E2114054

DIRECTION  
(Reference to North)

N



CONDUCTOR TO:

4/0 STR AL EAST & NORTH TO T-7273

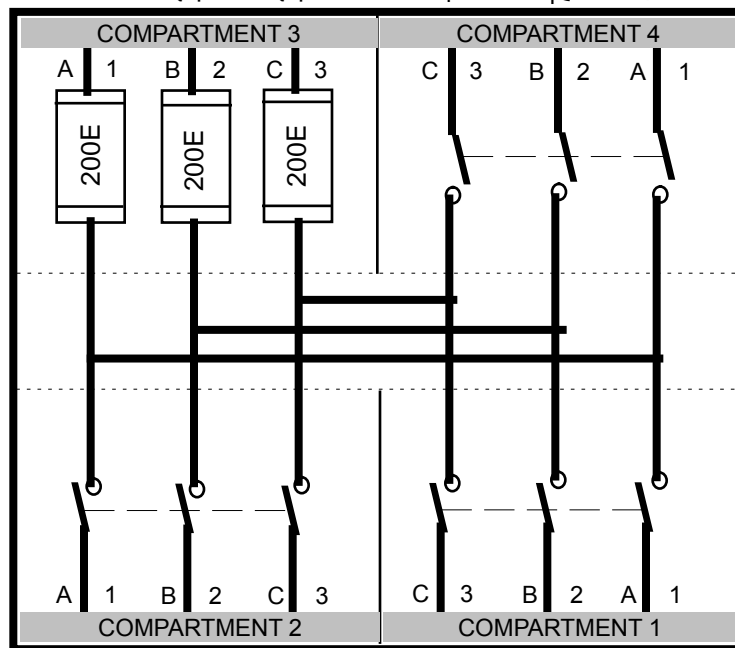
4/0 STR AL EAST & NORTH TO T-7273

4/0 STR AL EAST & NORTH TO T-7273

750MCM NORTH TO RISER 1631-51F

750MCM NORTH TO RISER 1631-51F

750MCM NORTH TO RISER 1631-51F



Switch #: 14987

Status: CLOSED

Switch #: 14986

Status: ~~OPEN~~

CLOSED

Switch #: 14985

Status: CLOSED

CONDUCTOR TO:

750MCM SW TO RISER 1631-51B, CIRCUIT WEST (ADJ. SUB-22 FDR 7) 750 CONC NORTH TO SC 1217 COMP. 2

750MCM SW TO RISER 1631-51B, CIRCUIT WEST (ADJ. SUB-22 FDR 7) 750 CONC NORTH TO SC 1217 COMP. 2

750MCM SW TO RISER 1631-51B, CIRCUIT WEST (ADJ. SUB-22 FDR 7) 750 CONC NORTH TO SC 1217 COMP. 2

750MCM SOUTH & EAST TO SF-804 750 CONC SOUTH & EAST TO SC 1249 COMP. 1 THRU V 5082

750MCM SOUTH & EAST TO SF-804 750 CONC SOUTH & EAST TO SC 1249 COMP. 1 THRU V 5082

750MCM SOUTH & EAST TO SF-804 750 CONC SOUTH & EAST TO SC 1249 COMP. 1 THRU V 5082

Fuse Holder Type:

SML20

Spare Fuse Holder Installed:

NO

Fault Indicators Installed In Compartments:

2, 4



LOCATION

180' E. of Denali on the North side of 36th.

Grid Map Location No.: 1631-5102

Inspected by:

Install Date: 9/14/84

Install Work Order ID: 5652

Feeder: SUB 16 - FDR 5

S&C

PMH10 600A

SC 1248

Serial Number:

Manufactured Date:

Notes:

Revised Date:

Revised WO/JO:

DIRECTION  
(Reference to North)



CONDUCTOR TO:

750 CONC SOUTH TO SUB-16 FDR-7 THRU V1731-98G

750 CONC SOUTH TO SUB-16 FDR-7 THRU V1731-98G

750 CONC SOUTH TO SUB-16 FDR-7 THRU V1731-98G

750 CONC SOUTH TO SF-805 POS-2 VAULT 88A THRU V1731-98G (S16F7)

750 CONC SOUTH TO SF-805 POS-2 VAULT 88A THRU V1731-98G (S16F7)

750 CONC SOUTH TO SF-805 POS-2 VAULT 88A THRU V1731-98G (S16F7)

Switch #:

15124

Status:

CLOSED

Switch #:

15123

Status:

CLOSED

Switch #:

15125

Status:

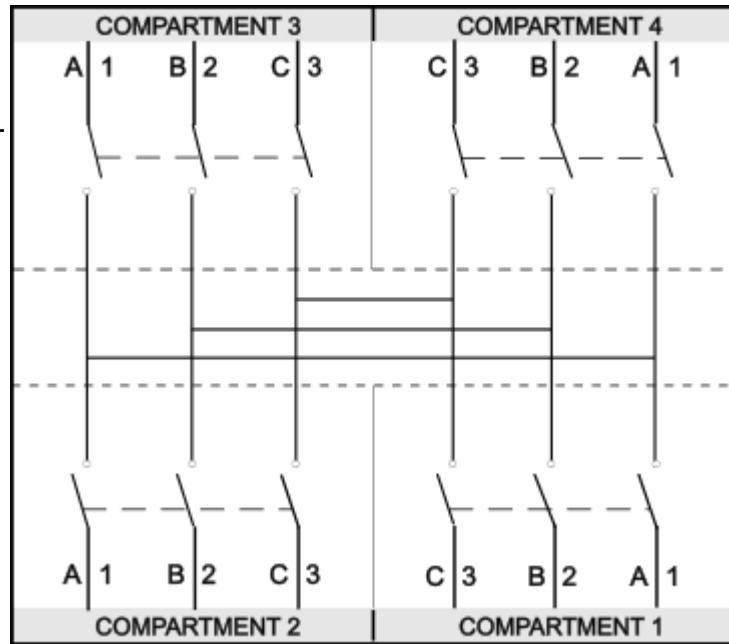
CLOSED

Switch #:

15122

Status:

CLOSED



CONDUCTOR TO:

750 CONC SOUTH TO SC-252 COMP 2 THRU V1731-98G, V1731-88A (S16F7)

750 CONC SOUTH TO SC-252 COMP 2 THRU V1731-98G, V1731-88A (S16F7)

750 CONC SOUTH TO SC-252 COMP 2 THRU V1731-98G, V1731-88A (S16F7)

750 CONC WEST THEN NORTH TO SC 62M COMP 1 THRU V5082, PP5202, V1631-71D (S16F7)

750 CONC WEST THEN NORTH TO SC 62M COMP 1 THRU V5082, PP5202, V1631-71D (S16F7)

750 CONC WEST THEN NORTH TO SC 62M COMP 1 THRU V5082, PP5202, V1631-71D (S16F7)

Fault Indicators Installed In Compartments:

1,2,4

Fuse Holder Type:

Spare Fuse Holder Installed:



LOCATION

ACROSS OF 600 TELEPHONE AVE.

Inspected by:

Install Date:

Install Work Order ID:

E2414322

Feeder:

S16F7

Grid Map Location No.:

1731 - 1303

S&C

PMH10 600A

SC 1249

Serial Number:

Manufactured Date:

Notes:

Revised Date:

Revised WO/JO:

DIRECTION  
(Reference to North)



CONDUCTOR TO:

750 CONC SOUTH TO SUB-16 FDR-5 THRU V1731-98G  
750 CONC SOUTH TO SUB-16 FDR-5 THRU V1731-98G  
750 CONC SOUTH TO SUB-16 FDR-5 THRU V1731-98G  
750 CONC SOUTH TO SF-805 POS-3 VAULT 88A THRU V1731-98G (S16F5)  
750 CONC SOUTH TO SF-805 POS-3 VAULT 88A THRU V1731-98G (S16F5)  
750 CONC SOUTH TO SF-805 POS-3 VAULT 88A THRU V1731-98G (S16F5)

Switch #: 15128

Status: CLOSED

Switch #: 15127

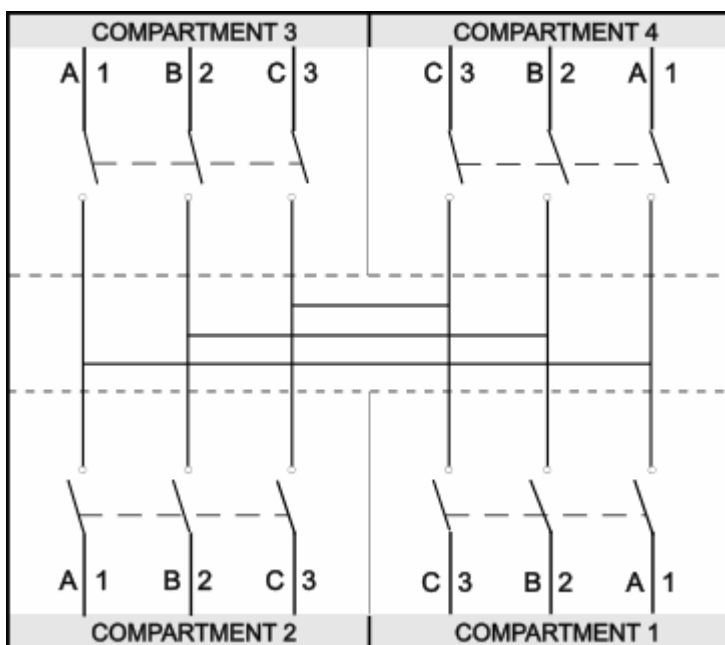
Status: CLOSED

Switch #: 15129

Status: CLOSED

Switch #: 15126

Status: CLOSED



CONDUCTOR TO:

750 CONC SOUTH TO SC-175M COMP 2 THRU V1731-98G, VAULT 88A (S16F5)  
750 CONC SOUTH TO SC-175M COMP 2 THRU V1731-98G, VAULT 88A (S16F5)  
750 CONC SOUTH TO SC-175M COMP 2 THRU V1731-98G, VAULT 88A (S16F5)  
750 CONC WEST THEN NORTH TO SC 231M COMP 1 THRU V5082, (S16F5)  
750 CONC WEST THEN NORTH TO SC 231M COMP 1 THRU V5082, (S16F5)  
750 CONC WEST THEN NORTH TO SC 231M COMP 1 THRU V5082, (S16F5)

Fault Indicators Installed In Compartments:

1,2,4

Fuse Holder Type:

Spare Fuse Holder Installed:



LOCATION

ACROSS OF 600 TELEPHONE AVE.

Inspected by:

Install Date:

Install Work

Order ID:

E2414322

Feeder:

S16F5

Grid Map Location No.:

1731 - 1303

COOPER

PME 10T 600A

SC 1250

Serial Number:

Revised Date:

Manufactured Date:

Revised WO/JO:

Notes:

DIRECTION  
(Reference  
to North)



CONDUCTOR TO:

750 CONC SOUTH TO SUB-16 FDR-8  
THRU V1731-98G

750 CONC SOUTH TO SUB-16 FDR-8  
THRU V1731-98G

750 CONC SOUTH TO SUB-16 FDR-8  
THRU V1731-98G

750 CONC SOUTH TO SUB-16 FDR-6  
THRU V1731-98G

750 CONC SOUTH TO SUB-16 FDR-6  
THRU V1731-98G

750 CONC SOUTH TO SUB-16 FDR-6  
THRU V1731-98G

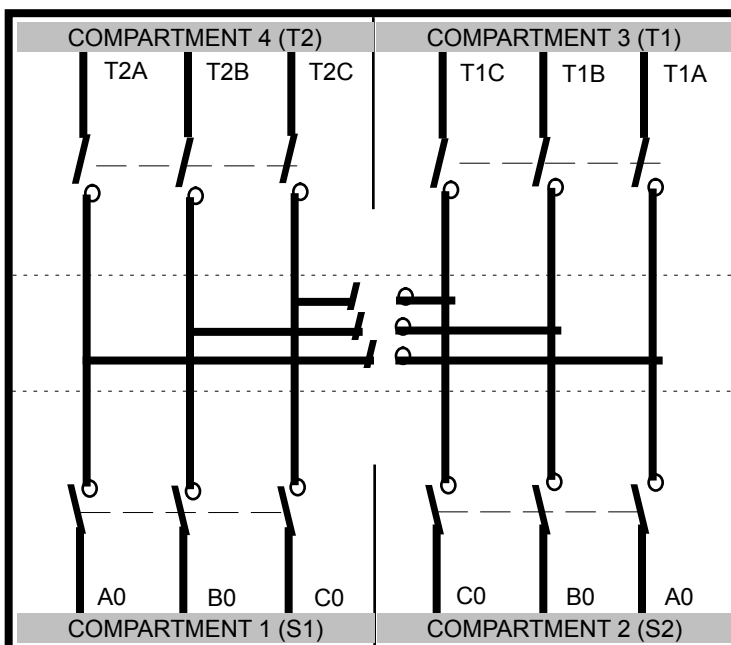
Switch #: 15132  
Status: CLOSED

Switch #: 15133  
Status: CLOSED

Switch #: 15131  
Status: CLOSED

See Note:  
Switch #: 15134  
Status: OPEN

Switch #: 15130  
Status: CLOSED



NOTE:  
ACCESS SWITCH \_\_\_\_\_  
THROUGH COMP. 1 & 2

CONDUCTOR TO:

750 CONC WEST THEN NORTH TO  
SC-162M COMP 1  
THRU V5082, PP 5202 (S16F8)

750 CONC WEST THEN NORTH TO  
SC-162M COMP 1  
THRU V5082, PP 5202 (S16F8)

750 CONC WEST THEN NORTH TO  
SC-162M COMP 1  
THRU V5082, PP 5202 (S16F8)

750 CONC WEST TO SC-203M COMP 1  
(S16F6)

750 CONC WEST TO SC-203M COMP 1  
(S16F6)

750 CONC WEST TO SC-203M COMP 1  
(S16F6)

Fault Indicators Installed In  
Compartments:

1,2

Spare Fuse Holder  
Installed:



LOCATION

ACROSS OF 600 TELEPHONE AVE.

Inspected by: \_\_\_\_\_

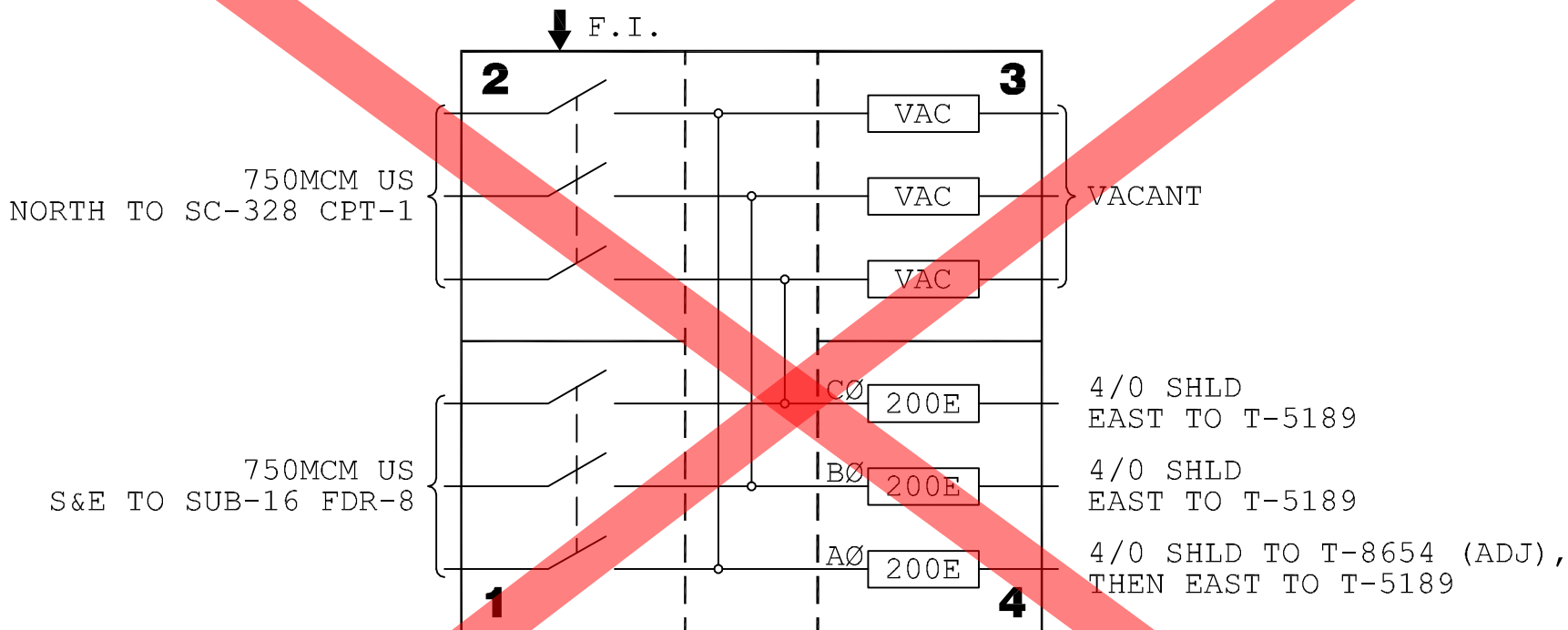
Install Date: \_\_\_\_\_

Install Work Order ID: E2414322

Grid Map Location No.: 1731 - 1303

Feeder: S16F6 / S16F8

600AMP



UPDATED SC SHEET UNDER  
E2414322

EAST 36th AVE & DENALI STREET  
(NORTHWEST CORNER)

SC-162  
1631-41A



EAST 36th AVE & DENALI STREET  
(NORTHWEST CORNER)

WS: 4667/6928/6896  
 WO: 1466/1310  
 REVISION: REV-2  
 DATE: 12/13/21  
 BY: U.OGANESYAN

SC-162  
1631-41A



S&C

PMH9 600A

SC 162M

Serial Number:

Revised Date:

Manufactured Date:

TO:

Revised WO/JO:

E2414322

Notes:

WS: 4667/6928/6896  
WO: 1466/1310  
REV-2  
12/13/21

DIRECTION  
(Reference to North)



CONDUCTOR

VACANT

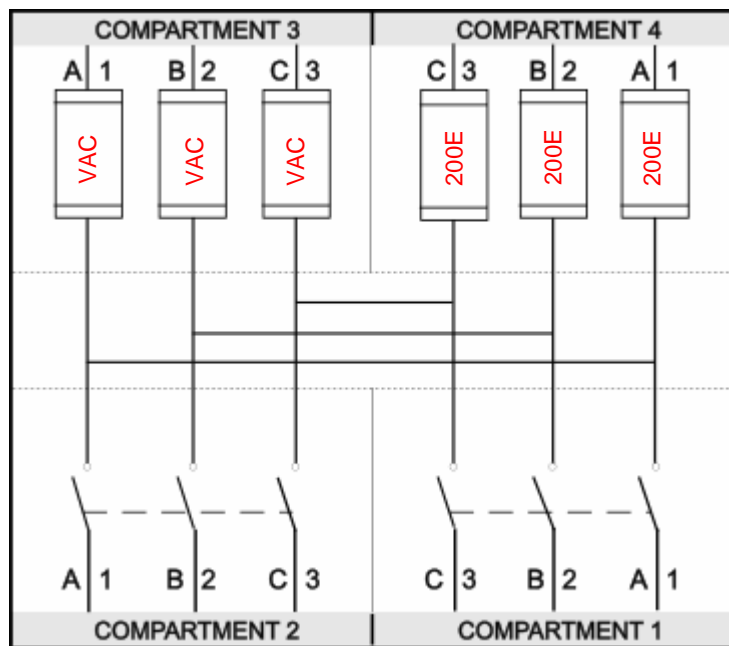
VACANT

VACANT

4/0 SHLD EAST TO T-5189

4/0 SHLD EAST TO T-5189

4/0 SHLD EAST TO T-8654 (ADJ),  
THEN EAST TO T-5819



Switch #: 15099

Status: CLOSED

Switch #: 15098

Status: CLOSED

TO:

CONDUCTOR

750MCM US NORTH TO SC-328 CPT-1

750MCM US NORTH TO SC-328 CPT-1

750MCM US NORTH TO SC-328 CPT-1

750MCM US S&E SOUTH THEN  
EAST TO SC 1250 COMP 1  
THRU PP 5202, V5082 (S16F8)

750MCM US S&E SOUTH THEN  
EAST TO SC 1250 COMP 1  
THRU PP 5202, V5082 (S16F8)

750MCM US S&E SOUTH THEN  
EAST TO SC 1250 COMP 1  
THRU PP 5202, V5082 (S16F8)

Fuse Holder Type:

SML-20

Spare Fuse Holder

Installed:

N

Fault Indicators Installed In  
Compartments:

2



LOCATION

EAST 36TH AVE & DENALI STREET  
(NW) CORNER

Inspected by:

Install Date:

Install Work

Order ID:

Feeder:

12/13/251

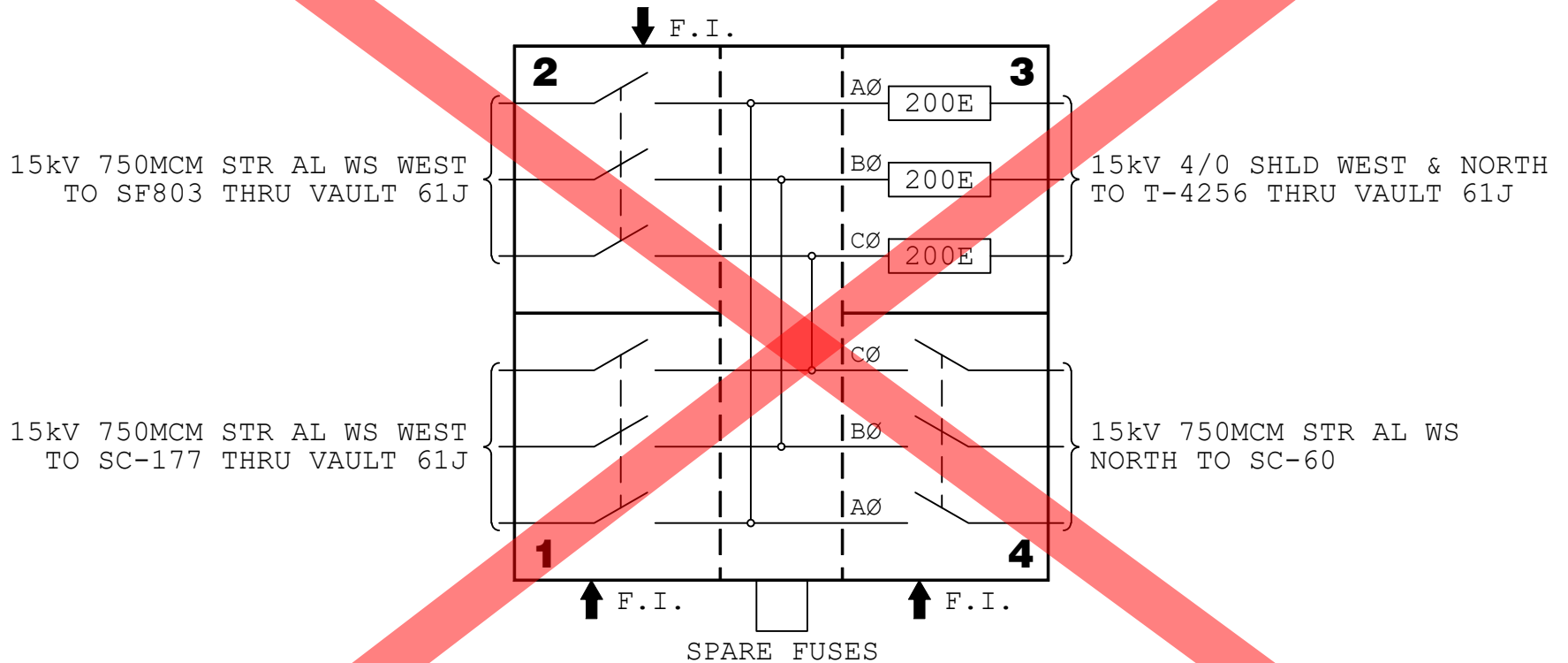
S16F8

Grid Map Location No.: 1631 — 4104

PMH-11  
600 AMP  
S&C EQUIPMENT  
GROUNDING BARS INSTALLED IN CPT-1  
SMU-20 FUSES  
SPARE FUSE CANNISTER CONTAINS 3ea 200E FUSES



E 36th AVE WEST OF LATOUCHE ST  
ON THE NORTH SIDE OF 36th AVE



UPDATED SC SHEET UNDER  
E2414322

SC-252  
1632-61H



EAST 36th AVE WEST OF LATOUCHE ST  
ON THE NORTH SIDE OF 36th AVE

WS: 5291/6059/7484  
WO: 7806/M10360  
REVISION: REV-1A  
DATE: 04/01/21  
BY: N.ROBINSON

SC-252  
1632-61H

Manufacturer:

Model:

S&C

PMH-11 600A

SC 252M

Serial Number:

Manufactured Date:

Notes:

WS:  
5291/6059/7484  
WO: 7806/M10360

Revised Date:

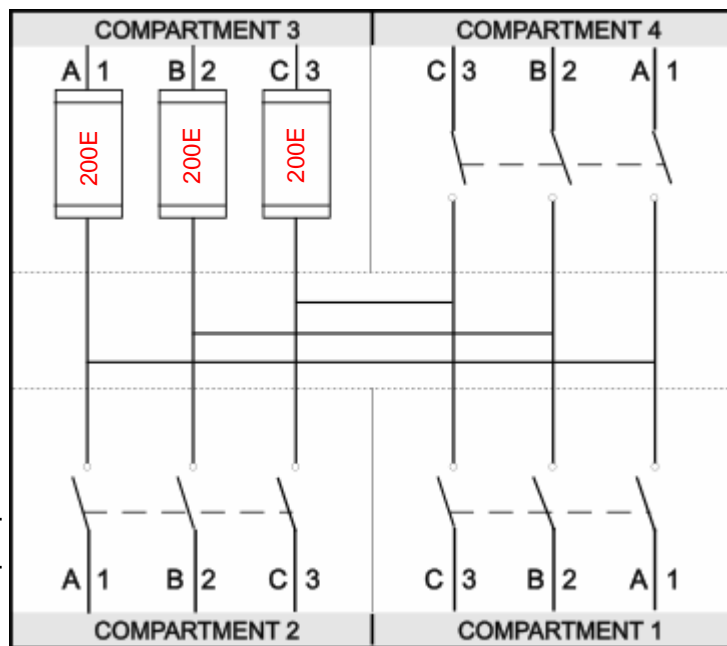
Revised WO/JO:  
**E2414322**

DIRECTION  
(Reference to North)



TO:  
CONDUCTOR

15kV 4/0 SHLD WEST & NORTH TO T-4256 THRU VAULT 61J  
15kV 4/0 SHLD WEST & NORTH TO T-4256 THRU VAULT 61J  
15kV 4/0 SHLD WEST & NORTH TO T-4256 THRU VAULT 61J  
15kV 750MCM STR AL WS NORTH TO SC-60  
15kV 750MCM STR AL WS NORTH TO SC-60  
15kV 750MCM STR AL WS NORTH TO SC-60



Switch #: **15137**

Status: **CLOSED**

Switch #: **15136**

Status: **CLOSED**

Switch #: **15135**

Status: **CLOSED**

TO:  
CONDUCTOR

15kV 750MCM STR AL WS WEST TO SC 1248 COMP 2 THRU VAULT 98G  
15kV 750MCM STR AL WS WEST TO SC 1248 COMP 2 THRU VAULT 98G  
15kV 750MCM STR AL WS WEST TO SC 1248 COMP 2 THRU VAULT 98G  
15kV 750MCM STR AL WS WEST TO SC-177 THRU VAULT 61J  
15kV 750MCM STR AL WS WEST TO SC-177 THRU VAULT 61J  
15kV 750MCM STR AL WS WEST TO SC-177 THRU VAULT 61J

Fuse Holder Type:  
**SMU-20**

Spare Fuse Holder Installed:  
**Y**

Fault Indicators Installed In Compartments:

**1, 2, 4**



LOCATION

**EAST 36TH AVE WEST OF LATOUCHE ST ON NORTH SIDE OF 36TH AVE**

Inspected by: \_\_\_\_\_

Install Date: \_\_\_\_\_

Install Work Order ID: \_\_\_\_\_

Grid Map Location No.: **1632 - 61H**

Feeder: **S16F7**

S&C

PMH9 600A

SC-175M

Serial Number:

Manufactured Date:

Notes:

E2114057: Retag  
Compartment 3, C-Phase  
Revised Under Previous  
WS: 5760, 6991, 7187  
WO: 0647, 1818, 2669

TO:

CONDUCTOR

750 MCM to T-8964 (19H)

750 MCM to T-8933 (18F)

750 MCM to T-8933 (18F)

4/0 SHLD North then West PM 91L,  
T-6878

4/0 SHLD North then West PM 91L,  
T-6878

4/0 SHLD North then West PM 91L,  
T-6878

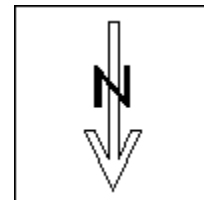
Revised Date:

01/17/2024

Revised WO/JO:

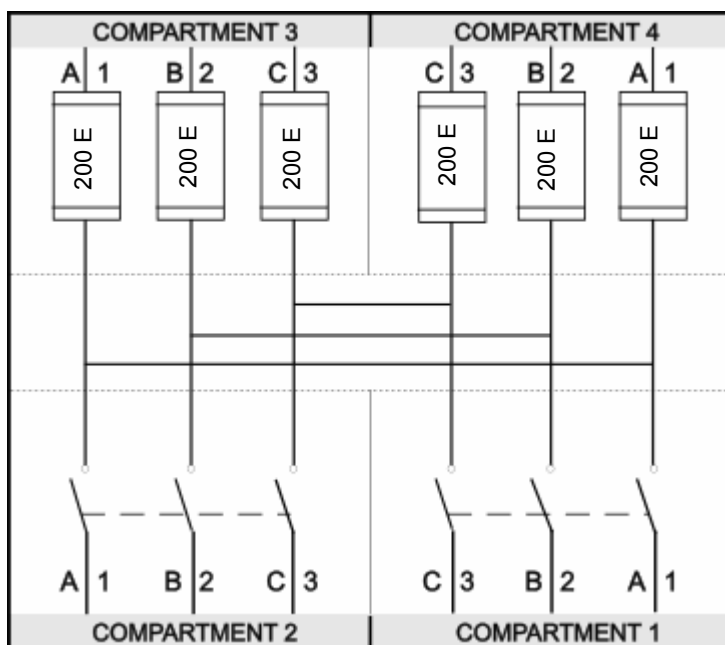
~~E2114322~~  
~~E2114057~~

DIRECTION  
(Reference  
to North)



Switch #: 14855

Status: Open



Switch #: 14854

Status: Closed

TO:

CONDUCTOR

~~15KV 750 MCM US East to SF-804~~  
~~Position 3 - 750 CONC TO SC 1249 COMP 2~~  
~~THRU VAULT 88A, V1731-98G~~

~~15KV 750 MCM US East to SF-804~~  
~~Position 3 - 750 CONC TO SC 1249 COMP 2~~  
~~THRU VAULT 88A, V1731-98G~~

~~15KV 750 MCM US East to SF-804~~  
~~Position 3 - 750 CONC TO SC 1249 COMP 2~~  
~~THRU VAULT 88A, V1731-98G~~

15KV 750 MCM US South & West to  
SC 62 Compartment 2

15KV 750 MCM US South & West to  
SC 62 Compartment 2

15KV 750 MCM US South & West to  
SC 62 Compartment 2

Fault Indicators Installed In  
Compartments:

Fuse Holder Type:

SML20

Spare Fuse Holder  
Installed:

N



LOCATION

Northwest Corner of 36th Ave & Old  
Seward Highway

Grid Map Location No.: 1631 - 9803

Inspected by:

Install Date:

Install Work

Order ID:

Feeder:

WS 5760

S16F7

Federal Pacific

PMH 9

SC 203M

Serial Number:

J17286-7

Manufactured Date:

10/12

Notes:

WS: 6069/7444/7526/7581  
WO: M10538/M10747

Revised Date:

Revised WO/JO:

E2414322

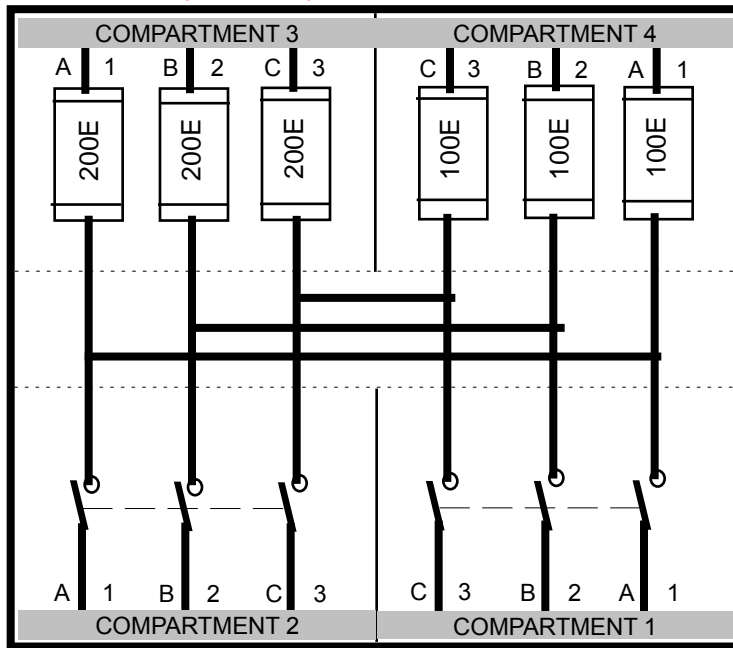
DIRECTION  
(Reference to North)

N



CONDUCTOR TO:

~~4/0 SHLD SOUTH & WEST TO PM-8662~~  
 4/0 SHLD SOUTH & WEST TO PM 8662 THRU VAULT 58B  
~~4/0 SHLD SOUTH TO PM 3237~~  
 4/0 SHLD SOUTH TO PM 3237 THRU VAULT 58B  
~~4/0 SHLD SOUTH & WEST TO PM-8662~~  
 4/0 SHLD SOUTH & WEST TO PM 8662 THRU VAULT 58B  
~~4/0 SHLD NORTH & EAST TO PM 8454~~  
 4/0 SHLD NORTH & EAST TO PM 8461 THRU VAULT 5082  
~~4/0 SHLD NORTH & EAST TO PM 8454~~  
 4/0 SHLD NORTH & EAST TO PM 8461 THRU VAULT 5082  
~~4/0 SHLD NORTH & EAST TO PM 8454~~  
 4/0 SHLD NORTH & EAST TO PM 8461 THRU VAULT 5082



Switch #:

14984

Status:

CLOSED

Switch #:

14983

Status:

CLOSED

CONDUCTOR TO:

~~750MGM SOUTH TO SC 427 COMP. 1~~  
 750 CONC SOUTH TO SC 427M COMP. 1 THRU V 5066  
~~750MGM SOUTH TO SC 427 COMP. 1~~  
 750 CONC SOUTH TO SC 427M COMP. 1 THRU V 5066  
~~750MGM SOUTH TO SC 427 COMP. 1~~  
 750 CONC SOUTH TO SC 427M COMP. 1 THRU V 5066  
~~750MGM EAST TO SUB 16 FDR 6~~  
 750 CONC EAST TO SC 1250 COMP. 2  
~~750MGM EAST TO SUB 16 FDR 6~~  
 750 CONC EAST TO SC 1250 COMP. 2  
~~750MGM EAST TO SUB 16 FDR 6~~  
 750 CONC EAST TO SC 1250 COMP. 2

Fault Indicators Installed In Compartments:

2

Fuse Holder Type:

SML20

Spare Fuse Holder Installed:

NO



LOCATION

Northeast corner of Denali and Telephone Ave.

Grid Map Location No.: 1731-5283

Inspected by:

Install Date:

Install Work Order ID:

Feeder:

SUB 16 - FDR 6

SUB-16 EAST VAULT

SF6  
15kV

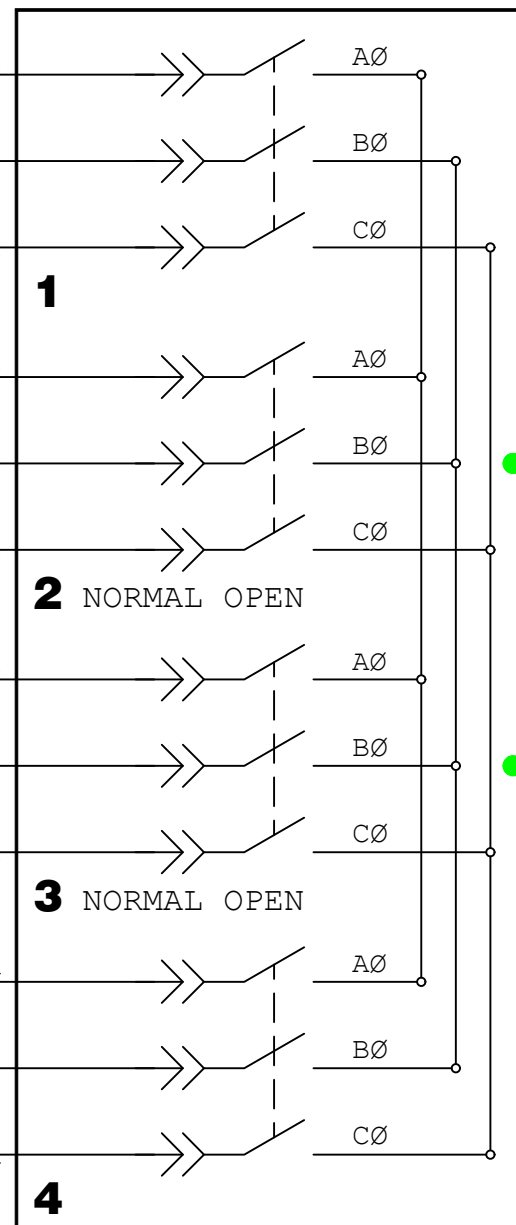
**E2414322 MS**  
**RETIRE SF 803 / SF 804**

750MCM SHLD  
SWITCH IN EAST VAULT  
SF802

~~750MCM SHLD~~  
~~SWITCH IN WEST VAULT~~  
~~SF803~~  
**TO SC 1248 COMP 4**

~~750MCM SHLD~~  
~~SWITCH IN WEST VAULT~~  
~~SF804~~  
**TO SC 1249 COMP 4**

VACANT



SUB16F1

SUB16F7

SUB16F5

SUB-16

SF805  
1731-88A



SUB-16 EAST VAULT

WS:  
WO:  
REVISION: REV-0  
DATE: 11/19/20  
BY: N.ROBINSON

SF805  
1731-88A

MATERIAL ISSUE TICKET

Project : E2414322

TELEPHONE AVE CR

In Design

Work Request: E2414322

Design : TELEPHONE AVE  
CR

Capital Account: 10720/000/03/7665  
Reimbursible Account: / / /  
Retirement Account: 10880/326/03/7665

Description	Part Number	Quantity Orderd	Issued
<b>Inventory</b>			
WIRE, AL JCN 15KV 750MCM EPR	000000346	16,400	_____
WIRE, CU SDB #4/0 STR (19 STR.)	000000378	150	_____
CONNECTOR, CONNECTOR,SC EQUIPMENT GROUND,4/0 AWG	000001451	12	_____
LUG, COMP LUG AL 2H 750	000001515	27	_____
FASTENER, CLAMP, GROUND ROD, 4/0 AWG	000001533	6	_____
CABINET, SWITCH PMH-10 (600A) 15KV	000002429	2	_____
CABINET, SWITCH PME-10T (600A) 15KV	000002432	1	_____
PAD, CONC. SUM1-F 600A SW CABINET 15KV	000003746	2	_____
PAD CONC. SUM1-H 25KV PME & COOPER 10T	000003749	1	_____
LINE, GROUND ROD 3/4" X 8'	000004067	6	_____
CONDUIT, FG EL 90 DEG 6" 60" RADI	000004173	24	_____
CONDUIT, FG EL 45 DEG 6" 60" RADI	000004185	34	_____
PAD, CONC. GUARD POST 9'	000004186	7	_____
KIT, PRIMARY SPLICE 15KV 750MCM JCN	000004513	33	_____
LINE, BRACKET CABLE SUPPORT	000004646	27	_____
KIT, PRIMARY TERM 15KV 750MCM JCN	000004773	27	_____
SHRINK, CABLE SEALER COLD SHRINK 2/0-1000 MCM	000011586	12	_____
CONDUIT, HDPE 6"	000011888	10,303	_____
LINE, UG INDICATOR FAULT CURRENT RESET 600A TRIP (350-750 KCMIL)	000013367	8	_____
PAD, CONC. GUARD POST COVER	000015824	7	_____
Cable Rack, Stanchion, Underground Devices CR12-B	000017446	60	_____
Cable Rack, 8", Underground Devices RA08	000017447	60	_____
Concrete Anchor, 303 stainless steel, 1/2-13	000017451	60	_____
Washer, 1-1/4 round, flat, 9/16" hole, 316 stainless	000017452	60	_____
Bolt, Cap Screw, 1/2"-13 x 1-3/8, 316 stainless steel	000017453	60	_____
TERMINATION, 15/25KV ELBOW, 600A	M33600	12	_____
750 COMPRESSION LUG	M33720	12	_____
750 CABLE ADAPTER	M33760	12	_____
<b>Non-Inventory</b>			
BLUE & GREEN CEA DECAL NON INV	000010321	6	_____
PADLOCKS	000010613	19	_____
WEDGE ANCHOR .5 X 2.75 NON-INV	000010657	12	_____

Remarks:

Control Number \_\_\_\_\_

Legal Description \_\_\_\_\_

Charge for Materials Yes \_\_\_ No \_\_\_ Sale \_\_\_

P.O. No. \_\_\_\_\_

Issued By \_\_\_\_\_ Received By \_\_\_\_\_

Date \_\_\_/\_\_\_/\_\_\_

Contractor \_\_\_\_\_

Special Notes:

**From:** [peoplesoft@chugachelectric.com](mailto:peoplesoft@chugachelectric.com)  
**To:** [Moritz Salvanera](#)  
**Cc:** [Warehouse Order Notification](#)  
**Subject:** SOUTH District / INOAC, ArcFM Designer Order Submitted: DSN11851\_3  
**Date:** Friday, December 20, 2024 1:33:26 PM

---

**SOUTH District / INOAC**, Order DSN11851\_3 submitted on 20-DEC-24 by MORITZS.  
Account: 10720-000-03-7665  
Project: E2414322-GENERAL  
Number of Lines: 25  
[Open Order in PeopleSoft](#)

Order	Line	Item	Qty	UOM	Descr
DSN11851_3	1	0000000346	16400	EA	WIRE, AL JCN 15KV 750MCM EPR
DSN11851_3	2	0000000378	150	EA	WIRE, CU SDB #4/0 STR (19 STR.)
DSN11851_3	3	0000001451	12	EA	CONNECTOR,SC EQUIPMENT GROUND,4/0 AWG
DSN11851_3	4	0000001515	27	EA	LUG, COMP LUG AL 2H 750
DSN11851_3	5	0000001533	6	EA	FASTENER, CLAMP, GROUND ROD, 4/0 AWG
DSN11851_3	6	0000002429	2	EA	CABINET, SWITCH PMH-10 (600A) 15KV
DSN11851_3	7	0000002432	1	EA	CABINET, SWITCH PME-10T (600A) 15KV
DSN11851_3	8	0000003746	2	EA	PAD, CONC. SUM1-F 600A SW CABINET 15KV
DSN11851_3	9	0000003749	1	EA	PAD, CONC. SUM1-H 25KV PME & COOPER 10T
DSN11851_3	10	0000004067	6	EA	LINE, GROUND ROD 3/4" X 8'
DSN11851_3	11	0000004173	24	EA	CONDUIT, FIBERGLASS ELBOW 90 DEG 6" 60" RADIUS
DSN11851_3	12	0000004185	34	EA	CONDUIT, FIBERGLASS ELBOW 45 DEG 6" 60" RADI
DSN11851_3	13	0000004186	7	EA	PAD, CONC. GUARD POST 9'
DSN11851_3	14	0000004513	33	EA	KIT, PRIMARY SPLICE 15KV 750MCM JCN
DSN11851_3	15	0000004646	27	EA	LINE, BRACKET CABLE SUPPORT P/N CS820
DSN11851_3	16	0000004773	27	EA	KIT, PRIMARY TERM 15KV 750MCM JCN
DSN11851_3	17	0000011586	12	EA	SHRINK, CABLE SEALER COLD SHRINK 2/0-1000 MCM
DSN11851_3	18	0000011888	10303	EA	CONDUIT, HDPE 6" (40 FT STICK)
DSN11851_3	19	0000013367	8	EA	LINE, UG INDICATOR FAULT



DSN11851_3 20	0000015824 7	EA	CURRENT RESET 600A TRIP (PAD, CONC. GUARD POST COVER
DSN11851_3 21	0000017446 60	EA	FIBERGLASS CABLE SUPPORT STANCHION
DSN11851_3 22	0000017447 60	EA	FIBERGLASS CABLE SUPPORT ARMS
DSN11851_3 23	0000017451 60	EA	CONCRETE ANCHOR 1/2" "STAINLESS STEEL"
DSN11851_3 24	0000017452 60	EA	WASHER, CONCRETE ANCHOR 1/2" STAINLESS STEEL FLAT
DSN11851_3 25	0000017453 60	EA	BOLT, CONCRETE ANCHOR 1/2"