

In Construction

BIDSHEET

for

PROJECT : E2414280

Work Request: E2414280

Design No.: 1

Capital Account: 10720/000/03/7665

Reimbursible Account: / / /

Retirement Account: 10880/326/03/7665

Work Plan No:

Project Type: System Improvements

Reviewed by Designer/Project Engineer: Moritz Salvanera Date: 6/17/24

Moritz Salvanera

Reviewed by Supervisor/Manager: Brad Jackson Date: 6/18/24

Supervisor

Remarks:

In Construction

Project: E2414280

Contractor: _____

Assembly Unit	Proposed Quantity	Actual Quantity	Labor	Material	Labor & Material	Extended Labor & Material
1/0 CONC	0.050					
2/0 RIBB Service	0.070					
4/0 CONC	8.025					
4/0 QUAD Service	0.006					
MANHOURS	62.000					
RandR FENCE	1.000					
SHUR2-3	0.030					
SHUR2-5	0.080					
SUG17A-75	4.000					
SUM1B	4.000					
SUM1F	3.000					
SUM1-GPA	21.000					
SUM3-9	3.000					
SUM5012H	0.120					
SUM5014H	2.675					
SUM5024P	0.006					
SUM6-10	3.000					
SUM6-15	3.000					
SUM6-1C 1 PH	1.000					
SUM6-1D 3 PH	9.000					
SUM6-25A 1 PH	1.000					
SUM6-25A 3 PH	2.000					
SUM6-25C 1 PH	1.000					
SUM6-25D 3 PH	6.000					
SUM6-28A 3 PH	1.000					
SUM6-36A	8.000					
SUME445F4	8.000					
SUME490F3	9.000					
SUME490F5	4.000					
SUME490P2	2.000					
SUR2-3	0.006					

Total Extended Labor & Material This Page
 Total Extended Labor & Material Previous Page
 Total Extended Labor & Material

In Construction

Project: E2414280

Contractor: _____

Assembly Unit	Proposed Quantity	Actual Quantity	Labor	Material	Labor & Material	Extended Labor & Material
SUR2-5	1.995					
SURCP	1.305					
SURCR	0.710					
SURL	1.000					
Survey	1.000					
SWPPP-BP	1.000					
Traffic Control	1.000					
* 1/0 CONC	0.005					
* 2 ACSR 3 PH	4.440					
* 2 ACSR Neutral	1.480					
* 2 QPX Secondary	0.110					
* 2/0 RIBB Service	0.140					
* 4/0 CONC	0.045					
* 4/0 RIBB	0.015					
* C1	4.000					
* C3	1.000					
* C8	1.000					
* J11	1.000					
* M2-11	5.000					
* POLE45/1	3.000					
* POLE45/3	4.000					
* SC7	2.000					
* SE13	1.000					
* SE1-5	2.000					
* SF4C	1.000					
* SF4P	2.000					
* SG312-150	1.000					
* SG312-75	1.000					
* SG39-25	1.000					
* SK16	1.000					
* SL5-AA	3.000					

Total Extended Labor & Material This Page
 Total Extended Labor & Material Previous Page
 Total Extended Labor & Material

In Construction

Project: E2414280

Contractor: _____

Assembly Unit	Proposed Quantity	Actual Quantity	Labor	Material	Labor & Material	Extended Labor & Material
* SM5-9B	1.000					
* SUC1	1.000					
* SUC1A	1.000					
* SUK5	1.000					
* SUM5	3.000					
* SUM6-10	3.000					
* SUM6-15	3.000					
* SUM6-25A 1 PH	1.000					
* SUM6-25D 3 PH	2.000					
* SUME290S2	1.000					
* SVG312-75	1.000					
* SUM5012H	0.160					
* SUM5014H	0.015					

Total Extended Labor & Material This Page
 Total Extended Labor & Material Previous Page
 Total Extended Labor & Material

CHUGACH ELECTRIC ASSOCIATION, INC.
Anchorage, Alaska

RIGHT-OF-WAY REPORT

WORK ORDER NO. E2414280

DATE: June 17, 2024

SUBJECT: Anchorage Industrial Center Lots 1C, 1D, 1E & 1F
System Improvement OH to UG
Grid 1929, Map Book 1304-36D

An "X" in the enclosed parenthesis below indicates the listed requirement has been obtained; the enclosed parenthesis without an "X" indicates the listed requirement has not been obtained as of the date of this report.

Easement Rights:

(X) 1. Designated by Plats (Plat 73-65, 80-72).

(X) 2. CEA Specific Easements (Bk. 505, Pg. 565, Bk. 51, Pg. 367, Bk. 51, Pg. 366, Bk. 55, Pg. 142)

() 3. Notice of construction letters required for affected parcels. (Letters will be mailed when the Construction Manager provides dates of construction).

Permits:

(X) 1. MOA ROW Permit required for work in the Sanitary Sewer Easement.

(X) 2. No construction activity was identified in standing or running water.
No Wetlands Permits have been obtained.

Clearing:

(X) 1. No clearing was identified.

Michelle Barr

Michelle Barr
Right-of-Way Contractor

**In Construction
STAKING SHEET**

for

PROJECT: E2414280

Work Request: E2414280

Design: 1

Capital Account: 10720/000/03/7665

Reimbursible Account: / / /

Retirement Account: 10880/326/03/7665

Work Plan No:

Project Type: System Improvements

Work Order Number:

Reviewed by Designer/Project Engineer: Moritz Salvanera Date: 6/17/24

Moritz Salvanera

Reviewed by Supervisor/Manager: Brad Jackson Date: 6/18/24

Supervisor

Remarks:

Chugach Electric Association
5601 Electron Drive
Anchorage, AK 99518

Designer _____ Date ___/___/___

Checker _____ Date ___/___/___

Manager _____ Date ___/___/___

Project: E2414280

Design: 1

In Construction

Grid:

Structure: 00. GENERAL

Assembly Unit	Activity	#Cond	Qty	Unit Description	Complete	Qty
MANHOURS	Install	0	50	MANHOURS (MANHOUR OF LABOR)		
RandR FENCE	Install	0	1	RandR FENCE (FENCE REPAIR/RESTORATION)		
SURL	Install	0	1	SURL (LANDSCAPING)		
Survey	Install	0	1	Survey (Survey (Direct Cost))		
SWPPP-BP	Install	0	1	SWPPP-BP (STORM WATER PLAN - BP)		
Traffic Control	Install	0	1	Traffic Control (Traffic Control)		

Remarks: SURL UNIT TO COVER PAVEMENT RESTORATION TO INCLUDE CURB/GUTTER & SIDEWALK TO MATCH EXISTING GRADE AND THICKNESS OF PAVEMENT FOLLOWING MOA STANDARD RESTORATION PRACTICES.

MANHOURS ARE AT INSPECTOR'S DISCRETION.

Structure: 01. SC 1237

Assembly Unit	Activity	#Cond	Qty	Unit Description	Complete	Qty
SHUR2-5	Install	1	30	SHUR2-5 (PRIMARY TRENCH HAND -DIG)		
SUM1F	Install	0	1	SUM1F (CONCRETE PAD 600 A SWITCH CAB.)		
SUM1-GPA	Install	0	1	SUM1-GPA (GUARD POST W/SLEEVE)		
SUM1-GPA	Install	0	1	SUM1-GPA (GUARD POST W/SLEEVE)		
SUM1-GPA	Install	0	1	SUM1-GPA (GUARD POST W/SLEEVE)		
SUM3-9	Install	0	1	SUM3-9 (600 A SC 2 FUSES 2 SWITCHES)		
SUM6-25A 3 PH	Install	0	1	SUM6-25A (#2 PRIMARY TERMINATION)		
SUM6-25A 3 PH	Install	0	1	SUM6-25A (#2 PRIMARY TERMINATION)		
SUM6-25D 3 PH	Install	0	1	SUM6-25D (4/0 PRIMARY TERMINATION)		
SUM6-28A 3 PH	Install	0	1	SUM6-28A (#2 PRIMARY SPLICE)		
SUM6-36A	Install	0	1	SUM6-36A (FUSE, S&C END FITTING SML-20)		
SUM6-36A	Install	0	1	SUM6-36A (FUSE, S&C END FITTING SML-20)		
SUM6-36A	Install	0	1	SUM6-36A (FUSE, S&C END FITTING SML-20)		
SUME445F4	Install	0	1	SUME445F4 (4" FG 45 48")		
SURCP	Install	1	30	SURCP (PARKING LOT CROSSING)		

Remarks: HAND DIG DIRECT BURIED #2 CONC BETWEEN SC 407 AND PM 2136. CUT & PEEL BACK ENOUGH CABLE TO COIL AND RE-TERMINATE AT SC 1237.
AT THE CUT PT, SPLICE NEW #2 CONC 3PH AND EXTEND UP TO SC 1237.

FUSE 3Ø PRI. CABLE GOING TO PM 2136 AT 40E IN COMP 3.

**** PLEASE BE ADVISED THAT THE SUBSTATION GROUND GRID MAY EXTEND UP TO CABLE INTERCEPT AREA.

Structure: 02. PM 2030

Assembly Unit	Activity	#Cond	Qty	Unit Description	Complete	Qty
SUM6-10	Remove	0	3	SUM6-10 (200A BUSHING CAP)		
SUM6-15	Remove	0	3	SUM6-15 (200A PARKING STAND)		

Remarks: RELOCATE NORMAL OPEN TO JB 2116.

Structure: 02A. JB 2116

Assembly Unit	Activity	#Cond	Qty	Unit Description	Complete	Qty
SUM6-10	Install	0	3	SUM6-10 (200A BUSHING CAP)		
SUM6-15	Install	0	3	SUM6-15 (200A PARKING STAND)		

Remarks: ESTABLISH NORMAL OPEN GOING SOUTH TO POLE 2402.

*** RETURN TO SC 1237 ***.

Structure: 03. PM 3244

Assembly Unit	Activity	#Cond	Qty	Unit Description	Complete	Qty
4/0 CONC	Install	3	435	4/0 CONC Wire (4/0 CONCENTRIC PRIMARY)		
MANHOURS	Install	0	2	MANHOURS (MANHOUR OF LABOR)		
SHUR2-3	Install	1	5	SHUR2-3 (SECONDARY TRENCH - HAND DIG)		
SHUR2-5	Install	1	35	SHUR2-5 (PRIMARY TRENCH HAND -DIG)		
SUG17A-75	Install	0	1	SUG17A-75 (XFMR, PM, 75 KVA, 3 PH, LOOP)		
SUM1B	Install	0	1	SUM1B (CONCRETE PAD 3 PH XFMR)		
SUM1-GPA	Install	0	1	SUM1-GPA (GUARD POST W/SLEEVE)		
SUM1-GPA	Install	0	1	SUM1-GPA (GUARD POST W/SLEEVE)		
SUM5014H	Install	1	435	SUM5014H - Conduit ((1) 4" HDPE CONDUIT)		
SUM6-1D 3 PH	Install	0	1	SUM6-1D (4/0 LB ELBOW TERMINATION)		

Chugach Electric Association 5601 Electron Drive Anchorage, AK 99518	Designer/Project Engineer _____ Date ____/____/____
	Checker _____ Date ____/____/____
	Manager/Supervisor _____ Date ____/____/____

Project: E2414280

Design: 1

In Construction

Grid:

Structure: 03. PM 3244

Assembly Unit	Activity	#Cond	Qty	Unit Description	Complete	Qty
SUM6-1D 3 PH	Install	0	1	SUM6-1D (4/0 LB ELBOW TERMINATION)		
SUME445F4	Install	0	2	SUME445F4 (4" FG 45 48")		
SUME490F3	Install	0	2	SUME490F3 (4" FG 90 36")		
SUR2-5	Install	1	400	SUR2-5 (PRIMARY TRENCH)		
SURCP	Install	1	435	SURCP (PARKING LOT CROSSING)		

Remarks: SUME445F4 FOR HORIZONTAL TURNS.

MANHOURS/SHUR2-3 FOR REMOVING EXISTING SERVICE CONDUCTORS OUT OF RISER ON POLE L3R1 AND RE-TERMINATE INTO NEW PADMOUNT XFMR.

CONDUIT DEPTH CROSSING PROPOSED NEW DRIVEWAY TO BE BASED OFF FINAL GRADE AND A MIN. OF 1 FT. VERTICAL SEPARATION FROM NEW STORM DRAIN. REFER TO DRIVEWAY PROFILE DRAWING FOR ELEVATION DETAILS.

Structure: 04. PM 4233

Assembly Unit	Activity	#Cond	Qty	Unit Description	Complete	Qty
4/0 CONC	Install	3	435	4/0 CONC Wire (4/0 CONCENTRIC PRIMARY)		
MANHOURS	Install	0	2	MANHOURS (MANHOUR OF LABOR)		
SHUR2-3	Install	1	20	SHUR2-3 (SECONDARY TRENCH - HAND DIG)		
SUG17A-75	Install	0	1	SUG17A-75 (XFMR, PM, 75 KVA, 3 PH, LOOP)		
SUM1B	Install	0	1	SUM1B (CONCRETE PAD 3 PH XFMR)		
SUM1-GPA	Install	0	1	SUM1-GPA (GUARD POST W/SLEEVE)		
SUM1-GPA	Install	0	1	SUM1-GPA (GUARD POST W/SLEEVE)		
SUM5014H	Install	1	435	SUM5014H - Conduit ((1) 4" HDPE CONDUIT)		
SUM6-1D 3 PH	Install	0	1	SUM6-1D (4/0 LB ELBOW TERMINATION)		
SUM6-1D 3 PH	Install	0	1	SUM6-1D (4/0 LB ELBOW TERMINATION)		
SUME490F3	Install	0	2	SUME490F3 (4" FG 90 36")		

Remarks: IN COMMON TRENCH WITH WL 06. PM 2848.

MANHOURS/SHUR2-3 FOR REMOVING EXISTING SERVICE CONDUCTORS OUT OF RISER ON POLE L14L3R2 AND RE-TERMINATE INTO NEW PADMOUNT XFMR.

Structure: 04A. STORAGE SVC.

Assembly Unit	Activity	#Cond	Qty	Unit Description	Complete	Qty
2/0 RIBB Service	Install	1	70	2/0 3-WIRE SERVICE		
MANHOURS	Install	0	2	MANHOURS (MANHOUR OF LABOR)		
SUM5012H	Install	1	70	SUM5012H - Conduit ((1) 2" HDPE CONDUIT)		
SUR2-5	Install	1	50	SUR2-5 (PRIMARY TRENCH)		
SURCP	Install	1	50	SURCP (PARKING LOT CROSSING)		
2/0 RIBB Service	Remove	1	140	2/0 3-WIRE SERVICE		
SUM5012H	Abandon	1	140	SUM5012H - Conduit ((1) 2" HDPE CONDUIT)		

Remarks: REMOVE 2/0 RIBB AND ABANDON 2" HDPE GOING TO PED 3836. SVC TO BE RE-FED FROM PM 4233.

20' IN COMMON TRENCH WITH WL 06. PM 2848.

INSTALL NEW 2" HDPE AT PRIMARY DEPTH DUE TO NEW STORM DRAIN AND CONNECT TO EXISTING SERVICE LATERAL.

MANHOURS TO INSTALL A 5TH JAW ON METER SOCKET.

Structure: 05. SC 1239

Assembly Unit	Activity	#Cond	Qty	Unit Description	Complete	Qty
4/0 CONC	Install	3	225	4/0 CONC Wire (4/0 CONCENTRIC PRIMARY)		
SUM1F	Install	0	1	SUM1F (CONCRETE PAD 600 A SWITCH CAB.)		
SUM1-GPA	Install	0	1	SUM1-GPA (GUARD POST W/SLEEVE)		
SUM1-GPA	Install	0	1	SUM1-GPA (GUARD POST W/SLEEVE)		
SUM1-GPA	Install	0	1	SUM1-GPA (GUARD POST W/SLEEVE)		
SUM1-GPA	Install	0	1	SUM1-GPA (GUARD POST W/SLEEVE)		
SUM3-9	Install	0	1	SUM3-9 (600 A SC 2 FUSES 2 SWITCHES)		
SUM5014H	Install	1	225	SUM5014H - Conduit ((1) 4" HDPE CONDUIT)		
SUM6-25C 1 PH	Install	0	1	SUM6-25C (1/0 PRIMARY TERMINATION)		
SUM6-25D 3 PH	Install	0	1	SUM6-25D (4/0 PRIMARY TERMINATION)		
SUM6-25D 3 PH	Install	0	1	SUM6-25D (4/0 PRIMARY TERMINATION)		
SUM6-25D 3 PH	Install	0	1	SUM6-25D (4/0 PRIMARY TERMINATION)		
SUM6-36A	Install	0	1	SUM6-36A (FUSE, S&C END FITTING SML-20)		

Chugach Electric Association
5601 Electron Drive
Anchorage, AK 99518

Designer/Project Engineer _____ Date ____/____/____
Checker _____ Date ____/____/____
Manager/Supervisor _____ Date ____/____/____

Project: E2414280

Design: 1

In Construction

Grid:

Structure: 05. SC 1239

Assembly Unit	Activity	#Cond	Qty	Unit Description	Complete	Qty
SUM6-36A	Install	0	1	SUM6-36A (FUSE, S&C END FITTING SML-20)		
SUM6-36A	Install	0	1	SUM6-36A (FUSE, S&C END FITTING SML-20)		
SUM6-36A	Install	0	1	SUM6-36A (FUSE, S&C END FITTING SML-20)		
SUME445F4	Install	0	3	SUME445F4 (4" FG 45 48")		
SUME490F5	Install	0	1	SUME490F5 (4" FG 90 60")		

Remarks: IN COMMON TRENCH WITH WL. 06. PM 2848.

SUME490F5 IS FOR HORIZONTAL TURN INTO SC 1239.

FUSE 3Ø PRI. CABLE GOING TO PM 5126 AT 40E IN COMP 3.

FUSE CØ CABLE GOING TO PM5226 AT 40E IN COMP 4.

ESTABLISH NORMAL OPEN AT COMP 2 GOING TO PM 2848 ATSS 712.

Structure: 05A. PM 5126

Assembly Unit	Activity	#Cond	Qty	Unit Description	Complete	Qty
4/0 CONC	Install	3	35	4/0 CONC Wire (4/0 CONCENTRIC PRIMARY)		
SHUR2-5	Install	1	5	SHUR2-5 (PRIMARY TRENCH HAND -DIG)		
SUM5014H	Install	1	35	SUM5014H - Conduit ((1) 4" HDPE CONDUIT)		
SUM6-1D 3 PH	Install	0	1	SUM6-1D (4/0 LB ELBOW TERMINATION)		
SUME490F3	Install	0	1	SUME490F3 (4" FG 90 36")		
4/0 CONC	Remove	3	15	4/0 CONC Wire (4/0 CONCENTRIC PRIMARY)		
SUM5014H	Abandon	1	15	SUM5014H - Conduit ((1) 4" HDPE CONDUIT)		

Remarks: IN COMMON TRENCH WITH WL 05B. PM 5226.

RETIRE 3Ø CABLE GOING BACK TO POLE 5026.

Structure: 05B. PM 5226

Assembly Unit	Activity	#Cond	Qty	Unit Description	Complete	Qty
1/0 CONC	Install	1	50	1/0 CONC Wire (1/0 CONCENTRIC PRIMARY)		
SHUR2-5	Install	1	5	SHUR2-5 (PRIMARY TRENCH HAND -DIG)		
SUM5012H	Install	1	50	SUM5012H - Conduit ((1) 2" HDPE CONDUIT)		
SUM6-1C 1 PH	Install	0	1	SUM6-1C (1/0 LB ELBOW TERMINATION-15KV)		
SUR2-5	Install	1	45	SUR2-5 (PRIMARY TRENCH)		
1/0 CONC	Remove	1	5	1/0 CONC Wire (1/0 CONCENTRIC PRIMARY)		
SUM5012H	Abandon	1	5	SUM5012H - Conduit ((1) 2" HDPE CONDUIT)		

Remarks: RETIRE PRIMARY CABLE GOING BACK TO PM 5126.

*** RETURN TO SC 1239 ***.

Structure: 06. PM 2848

Assembly Unit	Activity	#Cond	Qty	Unit Description	Complete	Qty
4/0 CONC	Install	3	790	4/0 CONC Wire (4/0 CONCENTRIC PRIMARY)		
MANHOURS	Install	0	2	MANHOURS (MANHOUR OF LABOR)		
SHUR2-3	Install	1	5	SHUR2-3 (SECONDARY TRENCH - HAND DIG)		
SUG17A-75	Install	0	1	SUG17A-75 (XFMR, PM, 75 KVA, 3 PH, LOOP)		
SUM1B	Install	0	1	SUM1B (CONCRETE PAD 3 PH XFMR)		
SUM1-GPA	Install	0	1	SUM1-GPA (GUARD POST W/SLEEVE)		
SUM1-GPA	Install	0	1	SUM1-GPA (GUARD POST W/SLEEVE)		
SUM5014H	Install	1	790	SUM5014H - Conduit ((1) 4" HDPE CONDUIT)		
SUM6-1D 3 PH	Install	0	1	SUM6-1D (4/0 LB ELBOW TERMINATION)		
SUM6-1D 3 PH	Install	0	1	SUM6-1D (4/0 LB ELBOW TERMINATION)		
SUME490F3	Install	0	2	SUME490F3 (4" FG 90 36")		
SUME490F5	Install	0	1	SUME490F5 (4" FG 90 60")		
SUR2-5	Install	1	790	SUR2-5 (PRIMARY TRENCH)		
SURCP	Install	1	790	SURCP (PARKING LOT CROSSING)		

Remarks: MANHOURS/SHUR1-3 FOR REMOVING EXISTING SERVICE CONDUCTORS OUT OF RISER ON POLE 2847 AND RE-TERMINATE INTO NEW PADMOUNT XFMR.

SUME490F5 FOR HORIZONTAL TURN.

Structure: 07. PM 1552

Assembly Unit	Activity	#Cond	Qty	Unit Description	Complete	Qty
4/0 CONC	Install	3	430	4/0 CONC Wire (4/0 CONCENTRIC PRIMARY)		
SUG17A-75	Install	0	1	SUG17A-75 (XFMR, PM, 75 KVA, 3 PH, LOOP)		

Chugach Electric Association 5601 Electron Drive Anchorage, AK 99518	Designer/Project Engineer	_____	Date	___/___/___
	Checker	_____	Date	___/___/___
	Manager/Supervisor	_____	Date	___/___/___

Project: E2414280

Design: 1

In Construction

Grid:

Structure: 07. PM 1552

Assembly Unit	Activity	#Cond	Qty	Unit Description	Complete	Qty
SUM1B	Install	0	1	SUM1B (CONCRETE PAD 3 PH XFMR)		
SUM1-GPA	Install	0	1	SUM1-GPA (GUARD POST W/SLEEVE)		
SUM1-GPA	Install	0	1	SUM1-GPA (GUARD POST W/SLEEVE)		
SUM1-GPA	Install	0	1	SUM1-GPA (GUARD POST W/SLEEVE)		
SUM1-GPA	Install	0	1	SUM1-GPA (GUARD POST W/SLEEVE)		
SUM5014H	Install	1	430	SUM5014H - Conduit ((1) 4" HDPE CONDUIT)		
SUM6-1D 3 PH	Install	0	1	SUM6-1D (4/0 LB ELBOW TERMINATION)		
SUM6-1D 3 PH	Install	0	1	SUM6-1D (4/0 LB ELBOW TERMINATION)		
SUME445F4	Install	0	1	SUME445F4 (4" FG 45 48")		
SUME490F3	Install	0	2	SUME490F3 (4" FG 90 36")		
SUME490F5	Install	0	1	SUME490F5 (4" FG 90 60")		
SUME490P2	Install	0	2	SUME490P2 (4" PVC 90 24")		
SUR2-5	Install	1	430	SUR2-5 (PRIMARY TRENCH)		
SURCR	Install	1	430	SURCR (STATE/MOA ROAD CROSSING)		

Remarks: SUME445F4/SUME490F5 ARE FOR HORIZONTAL TURNS.

Structure: 07A. 400A SVC

Assembly Unit	Activity	#Cond	Qty	Unit Description	Complete	Qty
4/0 QUAD Service	Install	1	6	4/0 4-WIRE SERVICE		
SUM5024P	Install	1	6	SUM5024P - Conduit ((2) 4" PVC CONDUIT)		
SUR2-3	Install	1	6	SUR2-3 (SECONDARY TRENCH)		

Remarks: TO INCLUDE SPARE CONDUIT RUN.

Structure: 08. SC 1238

Assembly Unit	Activity	#Cond	Qty	Unit Description	Complete	Qty
4/0 CONC	Install	3	325	4/0 CONC Wire (4/0 CONCENTRIC PRIMARY)		
MANHOURS	Install	0	4	MANHOURS (MANHOUR OF LABOR)		
SHUR2-5	Install	1	5	SHUR2-5 (PRIMARY TRENCH HAND -DIG)		
SUM1F	Install	0	1	SUM1F (CONCRETE PAD 600 A SWITCH CAB.)		
SUM1-GPA	Install	0	1	SUM1-GPA (GUARD POST W/SLEEVE)		
SUM1-GPA	Install	0	1	SUM1-GPA (GUARD POST W/SLEEVE)		
SUM1-GPA	Install	0	1	SUM1-GPA (GUARD POST W/SLEEVE)		
SUM1-GPA	Install	0	1	SUM1-GPA (GUARD POST W/SLEEVE)		
SUM3-9	Install	0	1	SUM3-9 (600 A SC 2 FUSES 2 SWITCHES)		
SUM5014H	Install	1	325	SUM5014H - Conduit ((1) 4" HDPE CONDUIT)		
SUM6-25A 1 PH	Install	0	1	SUM6-25A (#2 PRIMARY TERMINATION)		
SUM6-25D 3 PH	Install	0	1	SUM6-25D (4/0 PRIMARY TERMINATION)		
SUM6-25D 3 PH	Install	0	1	SUM6-25D (4/0 PRIMARY TERMINATION)		
SUM6-36A	Install	0	1	SUM6-36A (FUSE, S&C END FITTING SML-20)		
SUME445F4	Install	0	1	SUME445F4 (4" FG 45 48")		
SUME490F5	Install	0	1	SUME490F5 (4" FG 90 60")		
SUR2-5	Install	1	280	SUR2-5 (PRIMARY TRENCH)		
SURCR	Install	1	280	SURCR (STATE/MOA ROAD CROSSING)		

Remarks: 45' IN COMMON TRENCH WITH WL 06. PM 1552.

MANHOURS/SHUR2-5 ARE FOR REMOVING 1Ø & 3Ø CABLES OFF RISERS ON POLE L14L1 & RETERMINATING INTO SC 1238. BOTH CIRCUITS ARE DIRECT BURIED.

SUME490F5 FOR HORIZONTAL BENDS.

TERMINATE CABLE GOING TO PM 0352 IN COMP 3 & FUSE AT 40E - AØ.

FUSE 3Ø TO PM 1552 AT 65E IN COMP 4.

TERMINATE CABLE GOING TO SC 38 AT COMP 1.

Structure: 09. POLE L14L1

Assembly Unit	Activity	#Cond	Qty	Unit Description	Complete	Qty
M2-11	Remove	0	1	M2-11 (POLE GROUNDING ASSY)		
POLE45/1	Remove	0	1	POLE45/1 (POLE, 045 CLASS 1)		
SC7	Remove	0	1	SC7 (XARM SINGLE DEADEND)		
SE1-5	Remove	0	1	SE1-5 (DOWN GUY, SINGLE, 16M)		
SF4P	Remove	0	1	SF4P (ANCHOR,PLATE,16M, 3/4" X 8' RO)		
SM5-9B	Remove	0	1	CUTOUT ASSEMBLY LOAD BREAK XRM MT		
SUC1A	Remove	0	1	SUC1A (THREE PHASE AND SINGLE PHASE TP)		
SUM6-25A 1 PH	Remove	0	1	SUM6-25A (#2 PRIMARY TERMINATION)		
SUM6-25D 3 PH	Remove	0	1	SUM6-25D (4/0 PRIMARY TERMINATION)		

Chugach Electric Association
5601 Electron Drive
Anchorage, AK 99518

Designer/Project Engineer _____ Date ____/____/____
Checker _____ Date ____/____/____
Manager/Supervisor _____ Date ____/____/____

Project: E2414280 Design: 1

In Construction

Grid:

Remarks:

Structure: 10. POLE L14L2

Assembly Unit	Activity	#Cond	Qty	Unit Description	Complete	Qty
2 ACSR 3 PH	Remove	3	315	2 ACSR Conductor 3 PH (OH PRIMARY CONDUCTOR)		
2 ACSR Neutral	Remove	1	315	2 ACSR Neutral		
2 QPX Secondary	Remove	1	55	2 QPX OH Secondary		
2 QPX Secondary	Remove	1	55	2 QPX OH Secondary		
C8	Remove	0	1	C8 (XARM DOUBLE DEADEND)		
J11	Remove	0	1	J11 (SECONDARY DEADEND)		
M2-11	Remove	0	1	M2-11 (POLE GROUNDING ASSY)		
POLE45/3	Remove	0	1	POLE45/3 (POLE, 045 CLASS 3)		
SG312-75	Remove	0	1	SG312-75 (XFMR BANK,3PH,75 KVA)		
SK16	Remove	0	1	SK16 (SERVICE ASSY.)		
SL5-AA	Remove	0	1	SL5-AA (STREET LIGHT, 150 WATT HPS)		

Remarks: RETIRE (2) QPX SERVICES TO BUILDING.

Structure: 11. POLE L14L3

Assembly Unit	Activity	#Cond	Qty	Unit Description	Complete	Qty
2 ACSR 3 PH	Remove	3	265	2 ACSR Conductor 3 PH (OH PRIMARY CONDUCTOR)		
2 ACSR Neutral	Remove	1	265	2 ACSR Neutral		
C3	Remove	0	1	C3 (VERTICAL 20^ TO 60^ ANGLE)		
POLE45/1	Remove	0	1	POLE45/1 (POLE, 045 CLASS 1)		
SE13	Remove	0	1	SE13 (DOWN GUY, DBL. 20M)		
SF4C	Remove	0	1	SF4C (ANCHOR, 4' CONCRETE)		

Remarks:

Structure: 12. POLE 2847

Assembly Unit	Activity	#Cond	Qty	Unit Description	Complete	Qty
2 ACSR 3 PH	Remove	3	105	2 ACSR Conductor 3 PH (OH PRIMARY CONDUCTOR)		
2 ACSR Neutral	Remove	1	105	2 ACSR Neutral		
C1	Remove	0	1	C1 (XARM SINGLE SUPPORT)		
M2-11	Remove	0	1	M2-11 (POLE GROUNDING ASSY)		
POLE45/3	Remove	0	1	POLE45/3 (POLE, 045 CLASS 3)		
SG312-150	Remove	0	1	SG312-150 (XFMR BANK,3PH,150 KVA)		
SUM5	Remove	0	1	SUM5 (SECONDARY RISER)		

Remarks:

Structure: 13. POLE L3R1

Assembly Unit	Activity	#Cond	Qty	Unit Description	Complete	Qty
2 ACSR 3 PH	Remove	3	125	2 ACSR Conductor 3 PH (OH PRIMARY CONDUCTOR)		
2 ACSR Neutral	Remove	1	125	2 ACSR Neutral		
C1	Remove	0	1	C1 (XARM SINGLE SUPPORT)		
M2-11	Remove	0	1	M2-11 (POLE GROUNDING ASSY)		
POLE45/3	Remove	0	1	POLE45/3 (POLE, 045 CLASS 3)		
SUM5	Remove	0	1	SUM5 (SECONDARY RISER)		
SUME290S2	Remove	0	1	SUME290S2 (2" RSC 90 24")		
SVG312-75	Remove	0	1	SVG312-75 (XFMR BANK,3PH,75 KVA)		

Remarks:

Structure: 14. POLE 3937

Assembly Unit	Activity	#Cond	Qty	Unit Description	Complete	Qty
2 ACSR 3 PH	Remove	3	275	2 ACSR Conductor 3 PH (OH PRIMARY CONDUCTOR)		
2 ACSR Neutral	Remove	1	275	2 ACSR Neutral		
C1	Remove	0	1	C1 (XARM SINGLE SUPPORT)		
M2-11	Remove	0	1	M2-11 (POLE GROUNDING ASSY)		
SG39-25	Remove	0	1	SG39-25 (XFMR,1PH,25 KVA, 3PH, TANGENT)		
SL5-AA	Remove	0	1	SL5-AA (STREET LIGHT, 150 WATT HPS)		

Remarks:

Structure: 14A. PED 3836

Assembly Unit	Activity	#Cond	Qty	Unit Description	Complete	Qty
4/0 RIBB Secondary	Remove	1	15	4/0 3-WIRE SECONDARY		
SUK5	Remove	0	1	SUK5 (Secondary Assembly Underground Cable)		
SUM5012H	Abandon	1	15	SUM5012H - Conduit ((1) 2" HDPE CONDUIT)		

Chugach Electric Association	Designer/Project Engineer	_____	Date	___/___/___
5601 Electron Drive	Checker	_____	Date	___/___/___
Anchorage, AK 99518	Manager/Supervisor	_____	Date	___/___/___

Project: E2414280 Design: 1

In Construction

Grid:

Remarks:

Structure: 16. POLE L14L3R2

<u>Assembly Unit</u>	<u>Activity</u>	<u>#Cond</u>	<u>Qty</u>	<u>Unit Description</u>	<u>Complete</u>	<u>Qty</u>
2 ACSR 3 PH	Remove	3	140	2 ACSR Conductor 3 PH (OH PRIMARY CONDUCTOR)		
2 ACSR Neutral	Remove	1	140	2 ACSR Neutral		
C1	Remove	0	1	C1 (XARM SINGLE SUPPORT)		
POLE45/3	Remove	0	1	POLE45/3 (POLE, 045 CLASS 3)		
SL5-AA	Remove	0	1	SL5-AA (STREET LIGHT, 150 WATT HPS)		
SUM5	Remove	0	1	SUM5 (SECONDARY RISER)		

Remarks:

Structure: 19. POLE 5026

<u>Assembly Unit</u>	<u>Activity</u>	<u>#Cond</u>	<u>Qty</u>	<u>Unit Description</u>	<u>Complete</u>	<u>Qty</u>
2 ACSR 3 PH	Remove	3	255	2 ACSR Conductor 3 PH (OH PRIMARY CONDUCTOR)		
2 ACSR Neutral	Remove	1	255	2 ACSR Neutral		
POLE45/1	Remove	0	1	POLE45/1 (POLE, 045 CLASS 1)		
SC7	Remove	0	1	SC7 (XARM SINGLE DEADEND)		
SE1-5	Remove	0	1	SE1-5 (DOWN GUY, SINGLE, 16M)		
SF4P	Remove	0	1	SF4P (ANCHOR,PLATE,16M, 3/4" X 8' RO)		
SUC1	Remove	0	1	SUC1 (PRI RISER)		
SUM6-25D 3 PH	Remove	0	1	SUM6-25D (4/0 PRIMARY TERMINATION)		

Remarks:

Manufacturer:

Model:

S&C

PMH11 600A

SC 38

Serial Number:

Manufactured Date:

Notes:

Revised Date:

6/5/24

Revised WO/JO:

E2414280

DIRECTION

(Reference to North)

CONDUCTOR TO:

4/0 SHLD EAST TO SC 1238
COMP 1

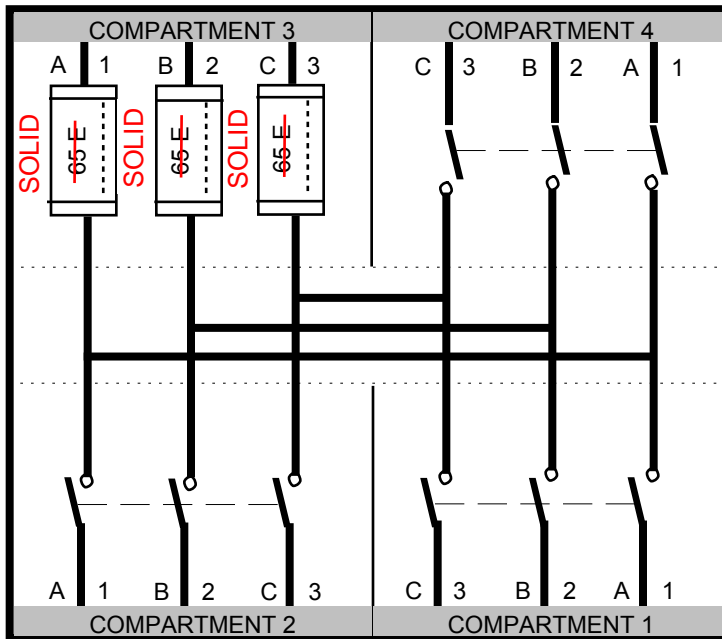
4/0 SHLD EAST TO SC 1238
COMP 1

4/0 SHLD EAST TO SC 1238
COMP 1

750 Shld West & North thru V-6551 to
Pole L10 Spenard 412

750 Shld West & North thru V-6551 to
Pole L10 Spenard 412

750 Shld West & North thru V-6551 to
Pole L10 Spenard 412



Switch #: 13336

Status: Open

Switch #: 01276

Status: Closed

Switch #: 01277

Status: Closed

CONDUCTOR TO:

750 Shld North to SC 37 Comp. 4

750 Shld North to SC 37 Comp. 4

750 Shld North to SC 37 Comp. 4

750 Shld South to SC 39 Comp. 2

750 Shld South to SC 39 Comp. 2

750 Shld South to SC 39 Comp. 2

Fuse Holder Type:

SML20

Spare Fuse Holder
Installed:

N

Fault Indicators Installed In
Compartments:



LOCATION

East side of Patterson Street south of 36th Avenue

Grid Map Location No.: 1929 - 0354

Inspected by: Lymann Johnson

Install Date: 01/01/1985

Install Work

Order ID: E9120058

Feeder: ATSS 712

Manufacturer:

Model:

S&C

PMS9 200A

SC 407

Serial Number:

Manufactured Date:

Notes:

WO E9811547 field checked by Gary Johnson 6/9/05 DKD

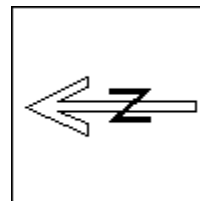
Revised Date:

6/5/24

Revised WO/JO:

E2414280

DIRECTION (Reference to North)



TO:

CONDUCTOR

4/0 Shld East to PM 2341

4/0 Shld East to PM 2341

4/0 Shld East to PM 2341

#2 CONC SOUTH TO SC 1237
COMP 1

#2 CONC SOUTH TO SC 1237
COMP 1

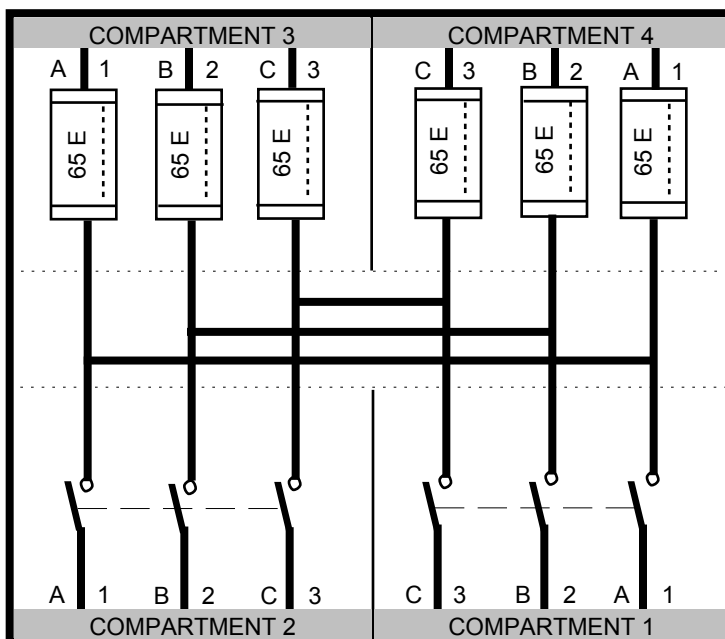
#2 CONC SOUTH TO SC 1237
COMP 1

Switch #: 13070

Status: Closed

Switch #: 13069

Status: Closed



TO:

CONDUCTOR

Comp.

Comp.

Comp.

4/0 Conc to SC 680

4/0 Conc to SC 680

4/0 Conc to SC 680

Fault Indicators Installed In Compartments:

#2 Conc West to SC 40
1

#2 Conc West to SC 40
1

#2 Conc West to SC 40
1

Fuse Holder Type:

SML20

Spare Fuse Holder Installed:

N



LOCATION

International Industrial Center Subdivision, ... northeast corner of International Bulk Sub. ...

Grid Map Location No.: 1929 - 2041

Inspected by: Pete Carroll

Install Date: 07/31/1990

Install Work Order ID: E9410831

Feeder: INSS 332

Manufacturer:

Model:

S & C

PMH 9

SC 1237

Serial Number:

Manufactured Date:

Notes:

Revised Date:

Revised WO/JO:

DIRECTION
(Reference to North)



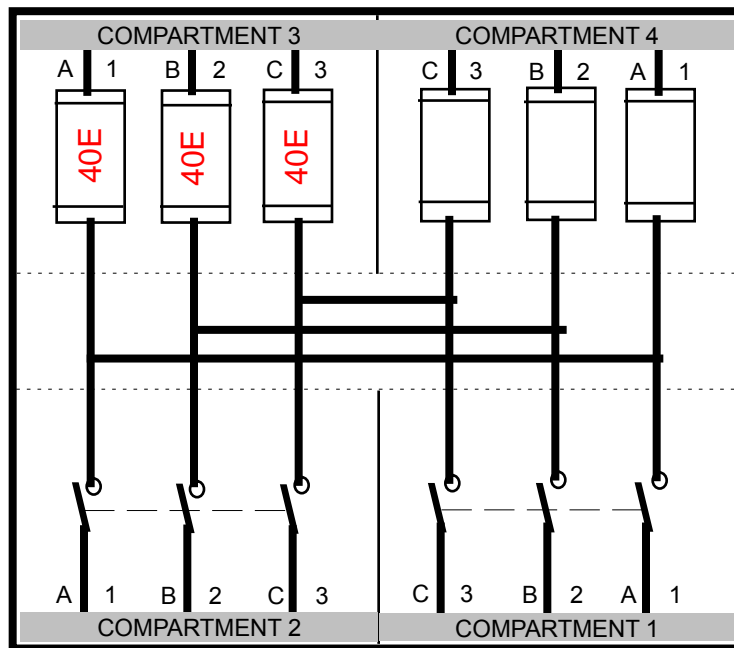
TO:

CONDUCTOR

#2 CONC SOUTH TO PM 2136

#2 CONC SOUTH TO PM 2136

#2 CONC SOUTH TO PM 2136



Switch #:

15072

Status:

CLOSED

Switch #:

15071

Status:

CLOSED

TO:

CONDUCTOR

4/0 CONC EAST TO PM 4233

4/0 CONC EAST TO PM 4233

4/0 CONC EAST TO PM 4233

#2 CONC NORTH TO SC 407

#2 CONC NORTH TO SC 407

#2 CONC NORTH TO SC 407

Fault Indicators Installed In
Compartments:

Fuse Holder Type:

SML20

Spare Fuse Holder
Installed:

N



LOCATION

NORTH WEST CORNER OF
BUILDING B'CEA SOUTH CAMPUS

Grid Map Location No.:

1929 — 1304-36D

Inspected by:

Install Date:

Install Work
Order ID:

E2414280

Feeder:

INSS 332/ATSS 712

Manufacturer:

Model:

S & C

PMH 9

SC 1238

Serial Number:

Manufactured Date:

Notes:

Revised Date:

Revised WO/JO:

DIRECTION
(Reference to North)



TO:

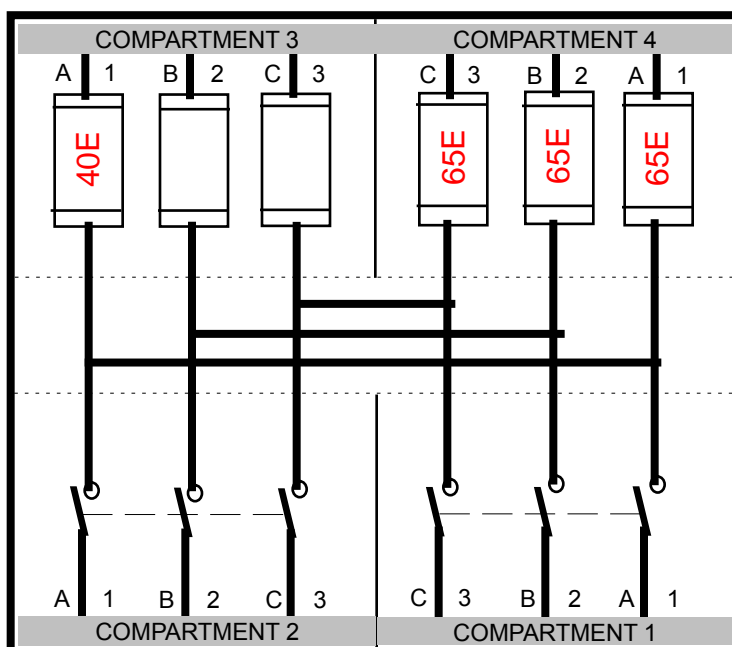
CONDUCTOR

#2 CONC WEST TO PM 0352

4/0 CONC EAST THEN NORTH TO PM 1552

4/0 CONC EAST THEN NORTH TO PM 1552

4/0 CONC EAST THEN NORTH TO PM 1552



Switch #: 15074
Status: CLOSED

Switch #: 15073
Status: CLOSED

TO:

CONDUCTOR

4/0 SHLD WEST TO SC 38

4/0 SHLD WEST TO SC 38

4/0 SHLD WEST TO SC 38

Fault Indicators Installed In Compartments:

Fuse Holder Type:

SML20

Spare Fuse Holder Installed:

N



LOCATION

NORTH EAST CORNER OF ELECTRON DR AND W 56TH AVE

Inspected by:

Install Date:

Install Work Order ID:

Feeder:

E2414280

ATSS 712

Grid Map Location No.:

1929 — 1304-36D

Project : E2414280
Work Request: E2414280

In Construction

Design : 1

Capital Account: 10720/000/03/7665
Reimbursible Account: / / /
Retirement Account: 10880/326/03/7665

Description	Part Number	Quantity Orderd	Issued
Inventory			
WIRE, AL JCN 15KV #4/0	000000343	10,032	_____
WIRE, AL JCN 15KV #002 NOT STRAND F.	000000344	265	_____
WIRE, AL JCN 15KV #1/0	000000352	114	_____
WIRE, AL XLP 600V 1C #4/0 (BELOIT)	000000363	42	_____
WIRE, AL URD SVC #4/0 2/0 4/0(SWEETBRIAR)	000000368	42	_____
WIRE, AL URD SVC #2/0 1 2/0 (CONVERSE)	000000373	112	_____
WIRE, CU SDB #02 STR	000000376	120	_____
WIRE, CU SDB #4/0 STR (19 STR.)	000000378	150	_____
CONNECTOR, CONNECTOR,SC EQUIPMENT GROUND,4/0 AWG	000001451	12	_____
LUG, COMP LUG AL 2H #02	000001508	7	_____
LUG, COMP LUG AL 2H #1/0	000001509	1	_____
LUG, COMP LUG AL 2H #4/0	000001513	18	_____
FASTENER, CLAMP GROUND ROD 3/4"	000001532	4	_____
FASTENER, CLAMP, GROUND ROD, 4/0 AWG	000001533	6	_____
CONNECTOR, UG CONN BLOCK XFMR NEUT 05/8" STUD SET SCREW	000001592	4	_____
CONNECTOR, UG CONN BLOCK XFMR SEC 6 POS SET SCREW	000001601	12	_____
FUSE, S&C 14.4 SMU-20 040E	000001707	5	_____
FUSE, S&C 14.4 SMU-20 065E	000001708	3	_____
FUSE, S&C END FITTING SML-20	000001709	8	_____
CABINET, SWITCH PMH-09 (600A) 15KV	000002421	3	_____
PAD, CONC. SUM1-B 3 PHASE 75-750KVA	000003743	4	_____
PAD, CONC. SUM1-F 600A SW CABINET 15KV	000003746	3	_____
LINE, GROUND ROD 3/4" X 8'	000004067	10	_____
CONDUIT, PVC 4"	000004158	14	_____
CONDUIT, HDPE 2"	000004161	132	_____
CONDUIT, FG EL 90 DEG 4" 36" RADI	000004168	9	_____
CONDUIT, FG EL 90 DEGREE 4" 60" RADI	000004170	4	_____
CONDUIT, PVC EL 90 DEG 4" 24" RADI	000004178	2	_____
CONDUIT, FG EL 45 DEGREE 4" 48" RADI	000004183	8	_____
PAD, CONC. GUARD POST 9'	000004186	21	_____
KIT, PRIMARY SPLICE JACKET KIT #02-4/0	000004506	3	_____
KIT, PRIMARY SPLICE 15KV #02-1/0 JCN	000004508	3	_____
SWITCH, CUTOUT 07.8/13.8KV 300A BLADE ONLY SOLID	000004732	3	_____
KIT, PRIMARY TERM 15KV #02-1/0 JCN	000004767	8	_____
KIT, PRIMARY TERM 15KV 3/0-350MCM JCN	000004772	18	_____
UG ACCES 08/15KV ELBOW TERM #1/0	000004785	1	_____
UG ACCES 08/15KV ELBOW TERM #4/0 LB W/ADAPTER	000004787	27	_____
BUSHING, UG ACCES 08/15KV INSERT BSHG CAP	000004793	3	_____
TRANSFORMER, 0075 KVA PM 3/PH 07.2/12.4 120/208	000004925	3	_____
TRANSFORMER, 0075 KVA PM 3/PH 07.2/12.4 277/480	000004933	1	_____
BUSHING, UG ACCES 08/15KV PARKING STAND	000005227	3	_____
SHRINK, CABLE SEALER COLD SHRINK 2/0-1000 MCM	000011586	27	_____
CONDUIT, HDPE 4"	000011877	2,943	_____
SHRINK, CABLE SEALER COLD SHRINK 2-4/0	000012084	1	_____
PAD, CONC. GUARD POST COVER	000015824	21	_____

Control Number _____

Legal Description _____

Charge for Materials Yes ___ No ___ Sale ___

P.O. No. _____

Issued By _____ Received By _____

Date ___/___/___

Contractor _____

Special Notes:

Project : E2414280

Work Request: E2414280

In Construction

Design : 1

Capital Account: 10720/000/03/7665
Reimbursible Account: / / /
Retirement Account: 10880/326/03/7665

<u>Description</u>	<u>Part Number</u>	<u>Quantity Orderd</u>	<u>Issued</u>
Non-Inventory			
BLUE & GREEN CEA DECAL NON INV	0000010321	10	_____
PADLOCKS	0000010613	12	_____
WEDGE ANCHOR .5 X 2.75 NON-INV	0000010657	28	_____

Remarks:

Control Number _____

Legal Description _____

Charge for Materials Yes ___ No ___ Sale ___

P.O. No. _____

Issued By _____ Received By _____

Date ____/____/____

Contractor _____

Special Notes:

Project : E2414280
Work Request: E2414280

In Construction

Design : 1

Capital Account: 10720/000/03/7665
Reimbursible Account: / / /
Retirement Account: 10880/326/03/7665

<u>Description</u>	<u>Part Number</u>	<u>Qty. Retired</u>	<u>Retired</u>
CUTOUT 07.8/13.8KV 100A LB	0000001629	11	_____
CUTOUT 14.4/24.9KV 100A	0000001634	3	_____
GROUND ROD 3/4" X 8'	0000004067	5	_____
0025 KVA D/B 07.2/12.4 120/240	0000004844	4	_____
0050 KVA D/B 07.2/12.4 277/480	0000004866	3	_____
0025 KVA D/B 14.4/24.9 120/240	0000004878	3	_____

Remarks:

Control Number _____
 Legal Description _____
 Charge for Materials Yes ___ No ___ Sale ___ P.O. No. _____
 Issued By _____ Received By _____ Date ____/____/____
 Contractor _____
 Special Notes:

From: peoplesoft@chugachelectric.com
To: [Moritz Salvanera](#)
Cc: [Warehouse Order Notification](#)
Subject: SOUTH District / INOAC, ArcFM Designer Order Submitted: DSN11031_2
Date: Tuesday, June 18, 2024 11:30:39 AM

SOUTH District / INOAC, Order DSN11031_2 submitted on 18-JUN-24 by MORITZS.
Account: 10720-000-03-7665
Project: E2414280-GENERAL
Number of Lines: 45
[Open Order in PeopleSoft](#)

Order	Line	Item	Qty	UOM	Descr
DSN11031_2	1	0000000343	10032	EA	WIRE, AL JCN 15KV #4/0
DSN11031_2	2	0000000344	265	EA	WIRE, AL JCN 15KV #002 NOT STRAND F.
DSN11031_2	3	0000000352	114	EA	WIRE, AL JCN 15KV #1/0
DSN11031_2	4	0000000363	42	EA	WIRE, AL XLP 600V 1C #4/0 (BELOIT)
DSN11031_2	5	0000000368	42	EA	WIRE, AL URD SVC #4/0 2/0 4/0(SWEETBRIAR)
DSN11031_2	6	0000000373	112	EA	WIRE, AL URD SVC #2/0 1 2/0 (CONVERSE)
DSN11031_2	7	0000000376	120	EA	WIRE, CU SDB #02 STR
DSN11031_2	8	0000000378	150	EA	WIRE, CU SDB #4/0 STR (19 STR.)
DSN11031_2	9	0000001451	12	EA	CONNECTOR,SC EQUIPMENT GROUND,4/0 AWG
DSN11031_2	10	0000001508	7	EA	LUG, COMP LUG AL 2H #02
DSN11031_2	11	0000001509	1	EA	LUG, COMP LUG AL 2H #1/0
DSN11031_2	12	0000001513	18	EA	LUG, COMP LUG AL 2H #4/0
DSN11031_2	13	0000001532	4	EA	FASTENER, CLAMP GROUND ROD 3/4"
DSN11031_2	14	0000001533	6	EA	FASTENER, CLAMP, GROUND ROD, 4/0 AWG
DSN11031_2	15	0000001592	4	EA	CONNECTOR, UG CONN BLOCK XFMR NEUT 05/8" STUD SET
DSN11031_2	16	0000001601	12	EA	CONNECTOR, UG CONN BLOCK XFMR SEC 6 POS SET SCREW
DSN11031_2	17	0000001707	5	EA	FUSE, S&C 14.4 SMU-20 040E
DSN11031_2	18	0000001708	3	EA	FUSE, S&C 14.4 SMU-20 065E
DSN11031_2	19	0000001709	8	EA	FUSE, S&C END FITTING SML-20
DSN11031_2	20	0000002421	3	EA	CABINET, SWITCH PMH-09 (600A) 15KV
DSN11031_2	21	0000003743	4	EA	PAD, CONC. SUM1-B 3 PHASE 75- 750KVA

DSN11031_2	22	0000003746	3	EA	PAD, CONC. SUM1-F 600A SW CABINET 15KV
DSN11031_2	23	0000004067	10	EA	LINE, GROUND ROD 3/4" X 8'
DSN11031_2	24	0000004158	14	EA	CONDUIT, PVC 4"
DSN11031_2	25	0000004161	132	EA	CONDUIT, HDPE 2"
DSN11031_2	26	0000004168	9	EA	CONDUIT, FIBERGLASS ELBOW 90 DEG 4" 36" RADIUS
DSN11031_2	27	0000004170	4	EA	CONDUIT, FIBERGLASS ELBOW 90 DEGREE 4" 60" RADIUS
DSN11031_2	28	0000004178	2	EA	CONDUIT, PVC EL 90 DEG 4" 24" RADI
DSN11031_2	29	0000004183	8	EA	CONDUIT, FIBERGLASS ELBOW 45 DEGREE 4" 48" RADIUS
DSN11031_2	30	0000004186	21	EA	PAD, CONC. GUARD POST 9'
DSN11031_2	31	0000004506	3	EA	KIT, PRIMARY SPLICE JACKET KIT #02-4/0
DSN11031_2	32	0000004508	3	EA	KIT, PRIMARY SPLICE 15KV #02-1/0 JCN
DSN11031_2	33	0000004732	3	EA	SWITCH, CUTOOUT 07.8/13.8KV 300A BLADE ONLY SOLID
DSN11031_2	34	0000004767	8	EA	KIT, PRIMARY TERM 15KV #02-1/0 JCN
DSN11031_2	35	0000004772	18	EA	KIT, PRIMARY TERM 15KV 3/0- 350MCM JCN
DSN11031_2	36	0000004785	1	EA	ELBOW, UG ACCES 08/15KV ELBOW TERM #1/0
DSN11031_2	37	0000004787	27	EA	ELBOW, UG ACCES 08/15KV ELBOW TERM #4/0 LB W/ADAPT
DSN11031_2	38	0000004793	3	EA	BUSHING, UG ACCES 08/15KV INSERT BSHG CAP
DSN11031_2	39	0000004925	3	EA	TRANSFORMER, 0075 KVA PM 3/PH 07.2/12.4 120/208
DSN11031_2	40	0000004933	1	EA	TRANSFORMER, 0075 KVA PM 3/PH 07.2/12.4 277/480
DSN11031_2	41	0000005227	3	EA	BUSHING, UG ACCES 08/15KV PARKING STAND
DSN11031_2	42	0000011586	27	EA	SHRINK, CABLE SEALER COLD SHRINK 2/0-1000 MCM
DSN11031_2	43	0000011877	2943	EA	CONDUIT, HDPE 4" (40 FT STICK)
DSN11031_2	44	0000012084	1	EA	SHRINK, CABLE SEALER COLD SHRINK 2-4/0
DSN11031_2	45	0000015824	21	EA	PAD, CONC. GUARD POST COVER

Manufacturer:

Model:

S & C

PMH 9

SC 1239

Serial Number:

Manufactured Date:

Notes:

Revised Date:

Revised WO/JO:

DIRECTION
(Reference to North)



TO:

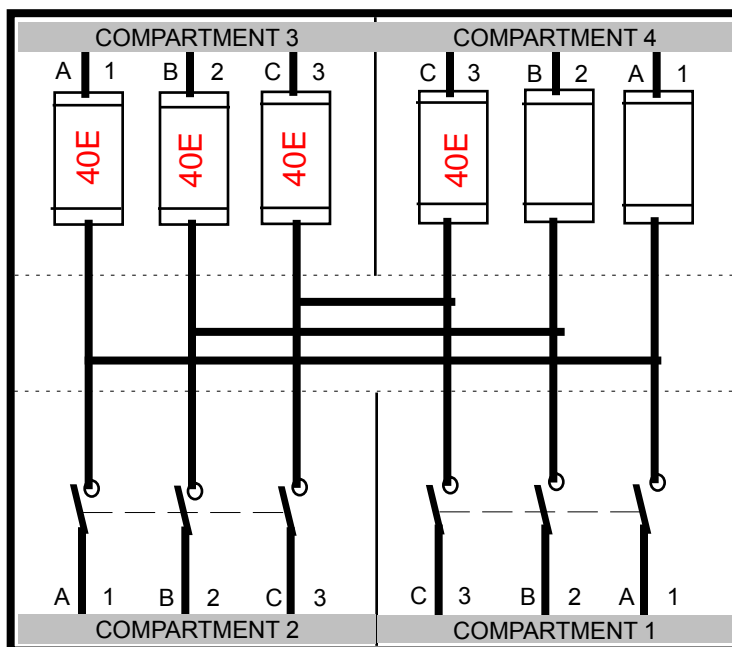
CONDUCTOR

4/0 CONC EAST TO PM 5126

4/0 CONC EAST TO PM 5126

4/0 CONC EAST TO PM 5126

1/0 CONC EAST TO PM 5226



Switch #: 15076
Status: OPEN

Switch #: 15075
Status: CLOSED

TO:

CONDUCTOR

4/0 CONC NORTH TO
PM 2848 ATSS 712

4/0 CONC NORTH TO
PM 2848 ATSS 712

4/0 CONC NORTH TO
PM 2848 ATSS 712

4/0 CONC NORTH TO
PM 4233 INSS 332

4/0 CONC NORTH TO
PM 4233 INSS 332

4/0 CONC NORTH TO
PM 4233 INSS 332

Fault Indicators Installed In
Compartments:

Fuse Holder Type:

SML20

Spare Fuse Holder
Installed:

N



LOCATION

370' EAST OF BUILDING C CEA
SOUTH CAMPUS

Inspected by:

Install Date:

Install Work
Order ID:

E2414280

Feeder:

INSS 332/ATSS 712

Grid Map Location No.:

1929 - 1304-36D