

In Design

BIDSHEET

for

PROJECT : E2314215
15KV: DBSS ANC. SUB. OH/UG PH1

Work Request: E2314215

Design No.: DBSS 12.5kV

Capital Account: 10720/000/03/7665

Reimbursible Account: / / /

Retirement Account: 10880/326/03/7665

Work Plan No:

Project Type: System Improvements

Reviewed by Designer/Project Engineer: *M. Elliott & V. Krivososov* Date: 03/15/2024

Reviewed by Supervisor/Manager: Marshall Elliott
Brad Jackson Date: 3/18/25
Supervisor

Remarks:

CHUGACH ELECTRIC ASSOCIATION, INC.
Anchorage, Alaska

RIGHT-OF-WAY REPORT – AMENDMENT NO. 4

WORK ORDER NO. E2314215/RW23228

DATE: March 18, 2025

SUBJECT: OH to UG Title 21 Transmission and Distribution Projects
Bragaw Street System Improvement Projects
W.O. E2314215/RW23228 and W.O. E1720054
Grids 1235, 1335, 1435, 1535, 1236, 1237, 1238, 1239, 1336, 1337, 1338 and 1339,
Map Books Multiple

An "X" in the enclosed parenthesis below indicates the listed requirement has been obtained; the enclosed parenthesis without an "X" indicates the listed requirement has not been obtained as of the date of this report.

Easement Rights:

- (X) 1. Dedicated by Plats (2015-1, 79-133, 75-83, 85-25, 2020-68, 75-69, P-179C, P-448, P-448A, P-179A, 84-111, 81-274, 74-27, 2008-56, 85-218, Patent 043359, AKA Permit 020860.
- (X) 2. CEA Specific Easements on File

Requested Easements:

- (X) 1. **MHT 9201031 Easement Construction License** for Alaska Mental Health Trust (MHT) Tract 3A, Block 1, Lots 3 & 1, Community Park Alaska Subdivision, received CEA Fully Executed March 17, 2025. **(See notes at end of report)**
- (X) 2. MHT Statement of Intent for relinquishment of existing easements approved and signed March 17, 2025. (Please contact ROW when project is complete, ROW Task to perform)
- () 3. MHT Permanent Easement pending completion of project. **(See notes at the end of the report).**
- (X) 4. Bragaw Square Condominiums, Tract 5A, Thunderbird Terrace Subdivision, Recorded at Document No. 2025-004361-0.
- (X) 5. Frontline Residential Treatment Center, Tract 4C, Thunderbird Terrace Subdivision. Email of signed easement mailed to CEA on 3/7/2025. Pending receipt and recording.
- (X) 6. **UAA Temporary Construction Easement Received Distributed 2/28/2025.** UAA, Tract 4B, Thunderbird Terrace Subdivision.
- () 7. UAA Permanent Easement pending completion of project. **(See notes at the end of the report).**
- (X) 8. Crossroads Assembly of God, Lot 14A, Block 12, Grandview Gardens Subdivision, Recorded at Document No. 2024-032607-0, **LNO for shed has been granted by Chugach.**
- (X) 9. Crossroads Assembly of God MOA a Non-Conforming Determination from MOA was approved. (This allows construction in Landscape Easement, along east property boundary).
- (X) 10. Calais Company, Tract F-2, Pendland Park Subdivision, Recorded at Document No. 2025-001143-0. (Easement avoids existing buildings).
- (X) 11. Cook Inlet Tribal Council, William Henry Seward Tract, Northway Business Park, at San Jeronimo, Recorded at Document No. 2025-001778-0.
- (X) 12. 550 Bragaw LLC, Tract B-2B-2, Williwaw School Site Subdivision, Recorded at Document Nos. 2024-020513-0 and 2024-033756-0.

(X) 13. MOA Fire Department, Tract B-2B-1, Williwaw School Site Subdivision, Recorded at Document Nos. 2025-002262-0 and 2025-002263-0.

() 14. Notice of Construction pending construction dates.

PERMITS:

(X) 1. MOA ROW Permit R251130, Expires 10/31/2025 (**Pending ROW Opening and Change Order is required by CEA for permit to be valid with approved TCP's**).

(X) 2. SOA DOT&PF Utility Permit 1-134500-25-008, Expires 10/1/2025.

() 3. SOA DOT&PF Lane Closure Permit is required for Debarr Rd. and pedestrian Traffic on E Northern Lights Blvd.

(X) 4. No construction activity was identified in standing or running water.
No Wetlands Permits have been obtained.

Clearing:

(X) 1. Clearing in specified areas as identified by designer.

NOTES: Project Deliverables Required

CEA or Contractors Requirements:

A. Contractors are required to submit TCPs to SOA DOT&PF for LCP and to CEA for an MOA Change Order and approval.

Alaska Mental Health Trust Lands, Tract 3A, Block 1, Lots 3 & 1, Community Park Alaska Subdivision.

A. License **EXPIRES 12/31/2026**. License can be extended an additional year if required. Request to Land Services must be made in advance of 120 days to meet the requirement of a 90 Day Notification required for an extension of the license.

B. Pictures of construction areas for before, during and after construction are required .

C. PLS Stamped As-built and Exhibits and Legal Descriptions are required no later than 120 days following completion of construction on Trust Lands. Contracted PLS is required to arrange with Survey Section at Alaska DNR. Here is a contact for survey section: Amy Orange-Posma, PLS, CFedS, Land Surveyor 2, Unorganized Borough Platting Authority, (907) 269-8524, amy.orange-posma@alaska.gov

Crossroads Assembly of God, Lot 14A, Block 12, Grandview Gardens Subdivision

A. Special Landscape Required: Six (6') Foot Chain Link Fence with slates for privacy. Fence to be built along east and north sides of new easement boundary as is now and pocket around Streetlight for MOA access. Church has requested to replant shrubs to beautify the easement area, no specific shrubs are required by MOA Non-conforming approval received.

UAA, Tract 4B, Thunderbird Terrace Subdivision

A. PLS Stamped As-built and Exhibits and Legal Descriptions are required to obtain easement after the facilities have been installed.

Land Services Department Due by March 31, 2025:

A. COI received will be delivered with an approved SOI.

B. An auto-renew \$10,000 Bond Performance Deposit requested March 11, 2025, by Land Services Manager. Not expected to cause further delays with the project.

Lorraine A. Lehman, Right-of-Way Agent II *Lorraine A. Lehman*

In Design

Project: E2314215
15KV: DBSS ANC. SUB. OH/UG PH1

Contractor: _____

Assembly Unit	Proposed Quantity	Actual Quantity	Labor	Material	Labor & Material	Extended Labor & Material
4/0 CONC	2.655					
500 QUAD Service	0.060					
750 CONC	3.030					
750 CONC 15KV	15.255					
A7-1	1.000					
BORE	4.855					
CLEAN CNDT	0.910					
CONCRETE	1.000					
CORE DRILL	2.000					
CURB	1.000					
De-water Vault	1.000					
GENERATOR	1.000					
POLE35/5	1.000					
RandR FENCE	1.000					
SE1-5	2.000					
SE2-5 Material	1.000					
SF4P	2.000					
SHUR2-3	0.010					
SHUR2-5	0.180					
SHUR2-6	0.110					
SIDEWALK	1.000					
SM5-9B	1.000					
SR1-16	1.000					
STAG-2	14.000					
SUC2	1.000					
SUG17A-150	1.000					
SUM12C	1.000					
SUM1B	1.000					
SUM1-CA	1.000					
SUM1F	7.000					
SUM1-GPA	6.000					

Total Extended Labor & Material This Page
 Total Extended Labor & Material Previous Page
 Total Extended Labor & Material

In Design

Project: E2314215
 15KV: DBSS ANC. SUB. OH/UG PH1

Contractor: _____

Assembly Unit	Proposed Quantity	Actual Quantity	Labor	Material	Labor & Material	Extended Labor & Material
SUM3-11	2.000					
SUM3-9	4.000					
SUM5012H	0.125					
SUM5014FR	1.000					
SUM5014H	0.950					
SUM5014S	0.020					
SUM5024H	0.060					
SUM5026H	5.330					
SUM5026P	0.070					
SUM6-10	3.000					
SUM6-15	6.000					
SUM6-1D 3 PH	5.000					
SUM6-25D 3 PH	7.000					
SUM6-25F 3 PH	13.000					
SUM6-28F 3 PH	5.000					
SUM6-36A	21.000					
SUM6-4EL	6.000					
SUM6-6	1.000					
SUME430F4	4.000					
SUME445F4	8.000					
SUME445P4	2.000					
SUME490F3	5.000					
SUME490F4	4.000					
SUME490F5	1.000					
SUME490P2	2.000					
SUME490S2	2.000					
SUME630F5	16.000					
SUME645F5	27.000					
SUME690F4	4.000					
SUME690F5	8.000					
SUMH-814	1.000					

Total Extended Labor & Material This Page _____
 Total Extended Labor & Material Previous Page _____
 Total Extended Labor & Material _____

In Design

Project: E2314215
 15KV: DBSS ANC. SUB. OH/UG PH1

Contractor: _____

Assembly Unit	Proposed Quantity	Actual Quantity	Labor	Material	Labor & Material	Extended Labor & Material
SUMV-1	58.000					
SUPB-675	1.000					
SUR2-3	0.050					
SUR2-5	0.350					
SUR2-ST	0.010					
SURCP	0.200					
SURCR	0.115					
SURL	1.000					
Survey	1.000					
SWPPP-BP	1.000					
Traffic Control	1.000					
XUM6-25G	1.000					
XUR2-11A	1.000					
XUR2-11B	1.000					
XUR2-12	1.000					
* 1/0 ACSR 3 PH	0.150					
* 1/0 ACSR Neutral	0.050					
* 4 ACSR 1 PH	0.300					
* 4 ACSR Neutral	0.300					
* 4/0 ACSR	10.320					
* 4/0 ACSR Neutral	3.440					
* 4/0 CONC	1.440					
* 4/0 QUAD Service	0.110					
* 750 CONC	1.350					
* 750 CONC 15KV	5.250					
* 750 SHLD	0.960					
* A7-1	1.000					
* A9-1	1.000					
* M5-20	3.000					
* M5-5	9.000					
* POLE45/1	1.000					

Total Extended Labor & Material This Page _____
 Total Extended Labor & Material Previous Page _____
 Total Extended Labor & Material _____

In Design

Project: E2314215
 15KV: DBSS ANC. SUB. OH/UG PH1

Contractor: _____

Assembly Unit	Proposed Quantity	Actual Quantity	Labor	Material	Labor & Material	Extended Labor & Material
* SC7	1.000					
* SC7A-2	2.000					
* SC9-2A	3.000					
* SC9-3A	9.000					
* SE1-5	2.000					
* SE2-5 Material	2.000					
* SEM-I42	1.000					
* SF-1S	1.000					
* SF4PL	1.000					
* SM5-9A	1.000					
* SM5-9B 3 PH	4.000					
* SM5-9C 3 PH	1.000					
* SM5-9PB 3 PH	3.000					
* STAG-2	14.000					
* SUC1	3.000					
* SUC3	3.000					
* SUG17B-150	1.000					
* SUM1B	1.000					
* SUM1-CA	1.000					
* SUM1F	3.000					
* SUM3-9	2.000					
* SUM5014FR	1.000					
* SUM5016FR	1.000					
* SUM6-10	6.000					
* SUM6-1D 3 PH	4.000					
* SUM6-25D 3 PH	4.000					
* SUM6-25F 3 PH	9.000					
* SUM6-28D 3 PH	1.000					
* SUM6-28F 3 PH	1.000					
* SUM6-36A	12.000					
* SUM6-4EL	5.000					

Total Extended Labor & Material This Page
 Total Extended Labor & Material Previous Page
 Total Extended Labor & Material

In Design

Project: E2314215
 15KV: DBSS ANC. SUB. OH/UG PH1

Contractor: _____

Assembly Unit	Proposed Quantity	Actual Quantity	Labor	Material	Labor & Material	Extended Labor & Material
* SUME445F4	1.000					
* SUME490F3	2.000					
* SUME490F4	3.000					
* SUME490P2	2.000					
* SUME690S5	6.000					
* SUPB-644	1.000					
* XUM6-25G	1.000					
A 4/0 CONC	0.975					
A SUM5014P	0.070					
A SUM5016P	0.175					
A SUM5024P	0.055					

Total Extended Labor & Material This Page
 Total Extended Labor & Material Previous Page
 Total Extended Labor & Material

**In Design
STAKING SHEET**

for

PROJECT: E2314215

15KV: DBSS ANC. SUB. OH/UG PH1

Work Request: E2314215

Design: DBSS 12.5kV

Capital Account: 10720/000/03/7665

Reimbursible Account: / / /

Retirement Account: 10880/326/03/7665

Work Plan No:

Project Type: System Improvements

Work Order Number:

Reviewed by Designer/Project Engineer: W. Elliott & V. Krivosos Date: 03/15/2025

Reviewed by Supervisor/Manager: Marshall Elliott
Brad Jackson Date: 3/18/25
Supervisor

Remarks:

Chugach Electric Association
5601 Electron Drive
Anchorage, AK 99518

Designer _____ Date ___/___/___

Checker _____ Date ___/___/___

Manager _____ Date ___/___/___

Project: E2314215

Design: DBSS 12.5kV

In Design

15KV: DBSS ANC. SUB. OH/UG PH1

Grid: 1435,1235,1335

Structure: 00 GENERAL

Assembly Unit	Activity	#Cond	Qty	Unit Description	Complete	Qty
CONCRETE	Install	0	1	CONCRETE (CONCRETE)		
CURB	Install	0	1	CURB (CUT & REPLACE CONCRETE CURBS)		
De-water Vault	Install	0	1	De-water Vault (De-water Vault Lump Sum Unit)		
GENERATOR	Install	0	1	GENERATOR (GENERATOR)		
RandR FENCE	Install	0	1	RandR FENCE (FENCE REPAIR/RESTORATION)		
SIDEWALK	Install	1	1	SIDEWALK (SIDEWALK)		
SR1-16	Install	1	1	SR1-16 (CLEARING, 16' FOR UG LINES)		
SURL	Install	0	1	SURL (LANDSCAPING)		
Survey	Install	0	1	Survey (Survey (Direct Cost))		
SWPPP-BP	Install	0	1	SWPPP-BP (STORM WATER PLAN - BP)		
Traffic Control	Install	0	1	Traffic Control (Traffic Control)		

Remarks:

- SURL LANDSCAPE UNIT IS A LUMP SUM FOR REPAIRING ALL DISTURBED AREAS TO ORIGINAL CONDITION.
- TRAFFIC CONTROL UNIT IS A LUMP SUM FOR IMPLEMENTATION OF TRAFFIC CONTROL MEASURES.
- BORE UNIT INCLUDES ALL ANCILLARY WORK NECESSARY TO COMPLETE BORE INSTALLATION INCLUDING ALL POTHOLES NEEDED FOR UTILITY LOCATES.
- SR-16 CLEARING UNIT IS A LUMP SUM FOR ANY NECESSARY CLEARING NEEDED FOR THE ENTIRE JOB.
- R&R FENCE/TEMP UNIT IS A LUMP SUM FOR REMOVAL AND RESTORATION OF ALL EXISTING FENCING ON THE PROJECT, THIS UNIT WILL ALSO BE USED FOR TEMPORARY FENCING REQUIRED FOR CONSTRUCTION.
- SIDEWALK, CONCRETE AND CURB ARE LUMP SUM UNITS, ADJUSTED AT THE DISCRETION OF THE CEA INSPECTOR AND WILL BE USED WHERE NECESSARY.
- DE-WATER VAULT IS A LUMP SUM UNIT FOR THE INSTALLATION OF A NEW VAULT, THE REMOVAL OF WATER FROM A NEW OR EXISTING VAULT FOR THE DURATION OF THE PROJECT. THIS UNIT WILL BE ADJUSTED AT THE DISCRETION OF THE CEA INSPECTOR AND WILL BE USED WHERE NECESSARY.
- WRAP ALL PRIMARY CABLE IN VAULTS WITH 3" ARC-PROOFING TAPE AT A 1/2 INCH OVERLAP (3-M OR PLYMOUTH). THE THREE SINGLE CABLES IN EACH CIRCUIT ARE TO BE TAPED TOGETHER.

Structure: 01 SC 139M

Assembly Unit	Activity	#Cond	Qty	Unit Description	Complete	Qty
SUM6-25F 3 PH	Install	0	1	SUM6-25F (750 MCM PRIMARY TERMINATION)		
SUM6-25F 3 PH	Remove	0	1	SUM6-25F (750 MCM PRIMARY TERMINATION)		
SUM6-4EL	Remove	0	1	3-PH UG CURNT RESET FI, 600A TRIP		

Remarks:

- CHANGE SC NUMBER FROM SC 139 TO SC 139M, AND INSTALL NEW SWITCH NUMBERS.
- REMOVE THE FAULT INDICATOR IN COMPARTMENT 2.

Structure: 02 P 95G

Assembly Unit	Activity	#Cond	Qty	Unit Description	Complete	Qty
CLEAN CNDT	Install	1	125	CLEAN CNDT (MANDREL & SWAB)		
SHUR2-6	Install	1	10	SHUR2-6 (HAND DIGGING DEEP TRENCH)		
750 CONC 15KV	Remove	3	125	750 CONC 15KV (WIRE, AL JCN 750MCM EPR)		
M5-5	Remove	0	3	M5-5 (CROSSARM PIN)		
POLE45/1	Remove	0	1	POLE45/1 (POLE, 045 CLASS 1)		
SC7	Remove	0	1	SC7 (XARM SINGLE DEADEND)		
SM5-9B 3 PH	Remove	0	1	CUTOUT ASSEMBLY LOAD BREAK XRM MT 3 PH		
SUC3	Remove	0	1	SUC3 (PRI RISER)		
SUM5016FR	Remove	0	1	FIRST 10FT SPARE EMPTY 6" FG RISER		
SUM6-25F 3 PH	Remove	0	1	SUM6-25F (750 MCM PRIMARY TERMINATION)		
SUME690S5	Remove	0	2	SUME690S5 (6" RSC 90 60")		
SUM5026P	Existing	1	125	SUM5026P - Conduit ((2) 6" PVC CONDUIT)		

Remarks:

- HAND DIG TO EXPOSE EXISTING CONDUITS BY POLE 95G, REMOVE EXISTING ELBOWS AND PULL OUT EXISTING 750 CONC, ADD 10' NEW CONDUITS AND TRENCH FROM END OF EXISTING CONDUITS TO NEW SC 1230. PULL IN NEW 750 CONC BETWEEN SC 1230 AND SC 139M.

Structure: 03 SC 1230

Assembly Unit	Activity	#Cond	Qty	Unit Description	Complete	Qty
750 CONC 15KV	Install	3	135	750 CONC 15KV (WIRE, AL JCN 750MCM EPR)		
SUM1F	Install	0	1	SUM1F (CONCRETE PAD 600 A SWITCH CAB.)		
SUM3-11	Install	0	1	SUM3-11 (600 A SC 1 FUSE 3 SWITCHES)		
SUM5026P	Install	1	10	SUM5026P - Conduit ((2) 6" PVC CONDUIT)		

Chugach Electric Association	Designer/Project Engineer	_____	Date	___/___/___
5601 Electron Drive	Checker	_____	Date	___/___/___
Anchorage, AK 99518	Manager/Supervisor	_____	Date	___/___/___

Project: E2314215

Design: DBSS 12.5kV

In Design

15KV: DBSS ANC. SUB. OH/UG PH1

Grid: 1435,1235,1335

Structure: 03 SC 1230

Assembly Unit	Activity	#Cond	Qty	Unit Description	Complete	Qty
SUM6-25D 3 PH	Install	0	1	SUM6-25D (4/0 PRIMARY TERMINATION)		
SUM6-25F 3 PH	Install	0	1	SUM6-25F (750 MCM PRIMARY TERMINATION)		
SUM6-25F 3 PH	Install	0	1	SUM6-25F (750 MCM PRIMARY TERMINATION)		
SUM6-36A	Install	0	1	SUM6-36A (FUSE, S&C END FITTING SML-20)		
SUM6-36A	Install	0	1	SUM6-36A (FUSE, S&C END FITTING SML-20)		
SUM6-36A	Install	0	1	SUM6-36A (FUSE, S&C END FITTING SML-20)		
SUM6-4EL	Install	0	1	3-PH UG CURNT RESET FI, 600A TRIP		
SUME445F4	Install	0	1	SUME445F4 (4" FG 45 48")		
SUME445F4	Install	0	1	SUME445F4 (4" FG 45 48")		
SUME645F5	Install	0	5	SUME645F5 (6" FG 45 60")		
SUME690F5	Install	0	2	SUME690F5 (6" FG 90 60")		

Remarks: - (3) SUME645F5 ARE CALLED OUT TO ENTER SC 1230.
 - (2) SUME645F5 ARE CALLED OUT TO EXIT SC 1230 TO SC 139M.
 - (2) SUME445F4 ARE CALLED OUT TO EXIT SC 1230 TO POLE 9649(95E).
 - (2) SUME690F5 ARE CALLED OUT FOR HORIZONTAL RUN.
 - INSTALL FAULT INDICATOR IN COMPARTMENT 4.
 - FUSE 4/0 CONC IN COMPARTMENT 3 @125E.

Structure: 04 P 9649 (95E)

Assembly Unit	Activity	#Cond	Qty	Unit Description	Complete	Qty
4/0 CONC	Install	3	60	4/0 CONC Wire (4/0 CONCENTRIC PRIMARY)		
SHUR2-5	Install	1	15	SHUR2-5 (PRIMARY TRENCH HAND -DIG)		
SUC2	Install	0	1	SUC2 (3 PH FEEDER TP-4/0)		
SUM5014FR	Install	0	1	FIRST 10FT SPARE EMPTY 4" FG RISER		
SUM5024H	Install	1	60	SUM5024H - Conduit ((2) 4" HDPE CONDUIT)		
SUM6-25D 3 PH	Install	0	1	SUM6-25D (4/0 PRIMARY TERMINATION)		
SUME490F4	Install	0	2	SUME490F4 (4" FG 90 48")		
SUR2-5	Install	1	45	SUR2-5 (PRIMARY TRENCH)		
1/0 ACSR 3 PH	Remove	3	50	1/0 ACSR 3 PH (OH PRIMARY CONDUCTOR)		
1/0 ACSR Neutral	Remove	1	50	1/0 ACSR Neutral		
M5-20	Remove	0	1	M5-20 (PRIMARY DEADEND)		
M5-20	Remove	0	1	M5-20 (PRIMARY DEADEND)		
M5-20	Remove	0	1	M5-20 (PRIMARY DEADEND)		
M5-5	Remove	0	6	M5-5 (CROSSARM PIN)		
SM5-9B 3 PH	Remove	0	1	CUTOUT ASSEMBLY LOAD BREAK XRM MT 3 PH		
SUC1	Remove	0	1	SUC1 (PRI RISER)		
SUM6-25F 3 PH	Remove	0	1	SUM6-25F (750 MCM PRIMARY TERMINATION)		
SUME690S5	Remove	0	1	SUME690S5 (6" RSC 90 60")		
POLE45/1	Existing	0	1	POLE45/1 (POLE, 045 CLASS 1)		
SC7-1	Existing	0	1	SC7-1 (XARM SINGLE DEADEND)		
SE15	Existing	0	1	SE15 (DOWN GUY, DBL. 32M)		
SF4PL	Existing	0	1	SF4PL (ANCHOR, ROD TW EYE 1" X10")		

Remarks: - REMOVE EXISTING 1/0 ACSR 3PH ARE REALLY 1/0 CU 3PH BETWEEN P 9649(95E) AND P 95G.

*****RETURN TO (01) SC 1230*****

Structure: 04A PP 9856

Assembly Unit	Activity	#Cond	Qty	Unit Description	Complete	Qty
750 CONC 15KV	Install	3	230	750 CONC 15KV (WIRE, AL JCN 750MCM EPR)		
BORE	Install	1	110	BORE		
SHUR2-5	Install	1	30	SHUR2-5 (PRIMARY TRENCH HAND -DIG)		
SUM1-CA	Install	0	1	SUM1-CA (SUM1F METAL PAD COVERING)		
SUM1F	Install	0	1	SUM1F (CONCRETE PAD 600 A SWITCH CAB.)		
SUM5026H	Install	1	230	SUM5026H - Conduit ((2) 6" HDPE CONDUIT)		
SUM6-28F 3 PH	Install	0	1	SUM6-28F (750 MCM PRIMARY SPLICE)		
SUM6-6	Install	0	1	SUM6-6 (GROUNDING ASSY)		
SUME645F5	Install	0	6	SUME645F5 (6" FG 45 60")		
SUME690F5	Install	0	2	SUME690F5 (6" FG 90 60")		
SUR2-5	Install	1	90	SUR2-5 (PRIMARY TRENCH)		
SURCR	Install	1	95	SURCR (STATE/MOA ROAD CROSSING)		

Remarks: - (2) SUME645F5 FOR HORIZONTAL TURN TOWARD PP 9856.
 - (2) SUME645F5 FOR HORIZONTAL RUN TO PP 9856.
 - (2) SUME690F5 FOR HORIZONTAL RUN TO PP 9856.

Structure: 05 V 9891

Assembly Unit	Activity	#Cond	Qty	Unit Description	Complete	Qty
---------------	----------	-------	-----	------------------	----------	-----

Chugach Electric Association	Designer/Project Engineer	_____	Date	___/___/___
5601 Electron Drive	Checker	_____	Date	___/___/___
Anchorage, AK 99518	Manager/Supervisor	_____	Date	___/___/___

Project: E2314215

Design: DBSS 12.5kV

In Design

15KV: DBSS ANC. SUB. OH/UG PH1

Grid: 1435,1235,1335

Structure: 05 V 9891

Assembly Unit	Activity	#Cond	Qty	Unit Description	Complete	Qty
750 CONC 15KV	Install	3	980	750 CONC 15KV (WIRE, AL JCN 750MCM EPR)		
BORE	Install	1	950	BORE		
SHUR2-6	Install	1	30	SHUR2-6 (HAND DIGGING DEEP TRENCH)		
SUM5026H	Install	1	980	SUM5026H - Conduit ((2) 6" HDPE CONDUIT)		
SUME630F5	Install	0	6	SUME630F5 (6" FG 30 60")		
SUMH-814	Install	0	1	Pull Vault - 8x14x8		
SUMV-1	Install	0	10	CABLE RACK RAO8 & STANCHION		

Remarks: - (6) SUME630F5 ARE CALLED OUT FOR HORIZONTAL RUN SOUTH OF V 9891.

Structure: 05A V99G

Assembly Unit	Activity	#Cond	Qty	Unit Description	Complete	Qty
SHUR2-6	Install	1	20	SHUR2-6 (HAND DIGGING DEEP TRENCH)		
SUM5026H	Install	1	100	SUM5026H - Conduit ((2) 6" HDPE CONDUIT)		
SUME630F5	Install	0	2	SUME630F5 (6" FG 30 60")		
SURCR	Install	1	20	SURCR (STATE/MOA ROAD CROSSING)		
XUR2-11A	Install	0	1	XUR2-11A (XUR2-11A (TYPE II))		
XUR2-11B	Install	0	1	XUR2-11B (D1)		
XUR2-12	Install	0	1	XUR2-12 (EXPORT)		
750 CONC 15KV	Remove	3	1,290	750 CONC 15KV (WIRE, AL JCN 750MCM EPR)		
SUM6-28F 3 PH	Remove	0	1	SUM6-28F (750 MCM PRIMARY SPLICE)		
SUPB-644	Remove	0	1	Pull Box, 6X4X4		

Remarks: - CONNECT NEW HDPE TO EXISTING 6" PVC AT V 99G.
 - (4) SUME630F5 ARE FOR HORIZONTAL TURNS OUT OF VAULT 9891.
 - REMOVE AND RESTORE CONCRETE SIDEWALK.
 - 80' IS COMMON BORE TO V 9703 UNDER 09A V 9703.
 - XUR2-12, XUR2-11A, XUR2-11B ARE LUMP SUM UNITS FOR THE REMOVAL OF THE VAULT.

Structure: 05B SPLICE POINT

Assembly Unit	Activity	#Cond	Qty	Unit Description	Complete	Qty
750 CONC 15KV	Install	3	325	750 CONC 15KV (WIRE, AL JCN 750MCM EPR)		
CLEAN CNDT	Install	1	225	CLEAN CNDT (MANDREL & SWAB)		
SUM6-28F 3 PH	Install	0	1	SUM6-28F (750 MCM PRIMARY SPLICE)		
SUM5026P	Existing	1	225	SUM5026P - Conduit ((2) 6" PVC CONDUIT)		

Remarks: - CLEAN EXISTING (2)6" CONDUITS BETWEEN V 99G AND SPLICE POINT IN THE UTILIWALK.

Structure: 06 SC 1234(314)

Assembly Unit	Activity	#Cond	Qty	Unit Description	Complete	Qty
750 CONC 15KV	Install	3	225	750 CONC 15KV (WIRE, AL JCN 750MCM EPR)		
CLEAN CNDT	Install	1	225	CLEAN CNDT (MANDREL & SWAB)		
SUM1F	Install	0	1	SUM1F (CONCRETE PAD 600 A SWITCH CAB.)		
SUM3-11	Install	0	1	SUM3-11 (600 A SC 1 FUSE 3 SWITCHES)		
SUM6-25D 3 PH	Install	0	1	SUM6-25D (4/0 PRIMARY TERMINATION)		
SUM6-25F 3 PH	Install	0	1	SUM6-25F (750 MCM PRIMARY TERMINATION)		
SUM6-25F 3 PH	Install	0	1	SUM6-25F (750 MCM PRIMARY TERMINATION)		
SUM6-36A	Install	0	1	SUM6-36A (FUSE, S&C END FITTING SML-20)		
SUM6-36A	Install	0	1	SUM6-36A (FUSE, S&C END FITTING SML-20)		
SUM6-36A	Install	0	1	SUM6-36A (FUSE, S&C END FITTING SML-20)		
SUM6-4EL	Install	0	1	3-PH UG CURNT RESET FI, 600A TRIP		
SUM6-4EL	Install	0	1	3-PH UG CURNT RESET FI, 600A TRIP		
XUM6-25G	Install	0	1	TERMINATION, 1000 CONC , 3 PHASE		
750 CONC	Remove	3	450	750 CONC Wire (750 CONCENTRIC PRIMARY)		
SUM1F	Remove	0	1	SUM1F (CONCRETE PAD 600 A SWITCH CAB.)		
SUM3-9	Remove	0	1	SUM3-9 (600 A SC 2 FUSES 2 SWITCHES)		
SUM6-25D 3 PH	Remove	0	1	SUM6-25D (4/0 PRIMARY TERMINATION)		
SUM6-25F 3 PH	Remove	0	1	SUM6-25F (750 MCM PRIMARY TERMINATION)		
SUM6-25F 3 PH	Remove	0	1	SUM6-25F (750 MCM PRIMARY TERMINATION)		
SUM6-36A	Remove	0	1	SUM6-36A (FUSE, S&C END FITTING SML-20)		
SUM6-36A	Remove	0	1	SUM6-36A (FUSE, S&C END FITTING SML-20)		
SUM6-36A	Remove	0	1	SUM6-36A (FUSE, S&C END FITTING SML-20)		
SUM6-36A	Remove	0	1	SUM6-36A (FUSE, S&C END FITTING SML-20)		
SUM6-36A	Remove	0	1	SUM6-36A (FUSE, S&C END FITTING SML-20)		
SUM6-36A	Remove	0	1	SUM6-36A (FUSE, S&C END FITTING SML-20)		
SUM6-36A	Remove	0	1	SUM6-36A (FUSE, S&C END FITTING SML-20)		
SUM6-36A	Remove	0	1	SUM6-36A (FUSE, S&C END FITTING SML-20)		
SUM6-4EL	Remove	0	1	3-PH UG CURNT RESET FI, 600A TRIP		
XUM6-25G	Remove	0	1	TERMINATION, 1000 CONC , 3 PHASE		
SUM5026P	Existing	1	220	SUM5026P - Conduit ((2) 6" PVC CONDUIT)		

Chugach Electric Association 5601 Electron Drive Anchorage, AK 99518	Designer/Project Engineer _____	Date ____/____/____
	Checker _____	Date ____/____/____
	Manager/Supervisor _____	Date ____/____/____

Project: E2314215

Design: DBSS 12.5kV

In Design

15KV: DBSS ANC. SUB. OH/UG PH1

Grid: 1435,1235,1335

Structure: 06 SC 1234(314)

Assembly Unit	Activity	#Cond	Qty	Unit Description	Complete	Qty
SUME690F4	Existing	0	1	SUME690F4 (6" FG 90D 48"R)		
SUME690F4	Existing	0	1	SUME690F4 (6" FG 90D 48"R)		

Remarks: - CHANGE FUSES IN COMP 3 OF SC 1234, TO SC 142 FROM 200E TO 125E.
 - TERMINATION XUM6-25G FOR 35KV CABLE IS REALLY TERMINATION FOR 15 KV CABLE.
 - CLEAN CONDUIT UNIT FOR CLEANING UTILIWALK AND EXISTING CONDUIT BETWEEN UTILIWALK AND SC 1234.
 - INSTALL FAULT INDICATOR IN COMP 2 AND COMP 4.

Structure: 06A SC 142M

Assembly Unit	Activity	#Cond	Qty	Unit Description	Complete	Qty
STAG-2	Install	0	1	STAG-2 (PRIMARY CABLE TAG)		
STAG-2	Remove	0	1	STAG-2 (PRIMARY CABLE TAG)		

Remarks: - CHANGE SC NUMBER FROM SC 142 TO SC 142M AND INSTALL NEW SWITCH #.

Structure: 06B SC 186M

Assembly Unit	Activity	#Cond	Qty	Unit Description	Complete	Qty
STAG-2	Install	0	1	STAG-2 (PRIMARY CABLE TAG)		
STAG-2	Remove	0	1	STAG-2 (PRIMARY CABLE TAG)		

Remarks: - CHANGE SC NUMBER FROM SC 186 TO SC 186M AND INSTALL SWITCH #.

***** REPEAT TO SC 1234 *****

Structure: 07 SC 313M

Assembly Unit	Activity	#Cond	Qty	Unit Description	Complete	Qty
STAG-2	Install	0	1	STAG-2 (PRIMARY CABLE TAG)		
SUM6-25F 3 PH	Install	0	1	SUM6-25F (750 MCM PRIMARY TERMINATION)		
SUM6-4EL	Install	0	1	3-PH UG CURNT RESET FI, 600A TRIP		
STAG-2	Remove	0	1	STAG-2 (PRIMARY CABLE TAG)		
SUM6-25F 3 PH	Remove	0	1	SUM6-25F (750 MCM PRIMARY TERMINATION)		
SUM6-4EL	Remove	0	1	3-PH UG CURNT RESET FI, 600A TRIP		

Remarks: - CHANGE NORMAL OPEN TO NORMAL CLOSE TO SC 1231.
 - CHANGE SC NUMBER FROM SC 313 TO SC 313M AND INSTALL SWITCH #.

Structure: 07A T-7464

Assembly Unit	Activity	#Cond	Qty	Unit Description	Complete	Qty
STAG-2	Install	0	1	STAG-2 (PRIMARY CABLE TAG)		
STAG-2	Remove	0	1	STAG-2 (PRIMARY CABLE TAG)		

Remarks:

Structure: 08 P 91C (T61)

Assembly Unit	Activity	#Cond	Qty	Unit Description	Complete	Qty
SHUR2-5	Install	1	5	SHUR2-5 (PRIMARY TRENCH HAND -DIG)		
750 SHLD	Remove	3	320	750 SHLD PRIMARY		
SM5-9C 3 PH	Remove	0	1	CUTOUT ASSEMBLY SOLID BLADE XARM MT 3 PH		
SUC3	Remove	0	1	SUC3 (PRI RISER)		
SUM6-25F 3 PH	Remove	0	1	SUM6-25F (750 MCM PRIMARY TERMINATION)		
SUME690S5	Remove	0	1	SUME690S5 (6" RSC 90 60")		
SUM5016P	Abandon	1	175	SUM5016P - Conduit ((1) 6" PVC CONDUIT)		

Remarks:

*****REPEAT TO SC 313M*****

Structure: 09 UTILIWALK O.P.

Assembly Unit	Activity	#Cond	Qty	Unit Description	Complete	Qty
CORE DRILL	Install	0	2	CORE DRILL (CORE DRILL HOLE THRU VAULT)		
SHUR2-6	Install	1	10	SHUR2-6 (HAND DIGGING DEEP TRENCH)		
SUME690F4	Install	0	1	SUME690F4 (6" FG 90D 48"R)		
SUME690F4	Install	0	1	SUME690F4 (6" FG 90D 48"R)		
SURCP	Install	1	10	SURCP (PARKING LOT CROSSING)		

Remarks: - EXPOSE EXISTING UTILIWALK SECTION AND INSTALL (2)6" ELBOWS.
 - POUR OUT SLURRY UNDER UTILIWALK.

Structure: 09A V 9706

Assembly Unit	Activity	#Cond	Qty	Unit Description	Complete	Qty
---------------	----------	-------	-----	------------------	----------	-----

Chugach Electric Association	Designer/Project Engineer	_____	Date	___/___/___
5601 Electron Drive	Checker	_____	Date	___/___/___
Anchorage, AK 99518	Manager/Supervisor	_____	Date	___/___/___

Project: E2314215

Design: DBSS 12.5kV

In Design

15KV: DBSS ANC. SUB. OH/UG PH1

Grid: 1435,1235,1335

Structure: 09A V 9706

Assembly Unit	Activity	#Cond	Qty	Unit Description	Complete	Qty
750 CONC 15KV	Install	3	310	750 CONC 15KV (WIRE, AL JCN 750MCM EPR)		
BORE	Install	1	330	BORE		
SHUR2-5	Install	1	35	SHUR2-5 (PRIMARY TRENCH HAND -DIG)		
SUM5026H	Install	1	85	SUM5026H - Conduit ((2) 6" HDPE CONDUIT)		
SUM5026H	Install	1	380	SUM5026H - Conduit ((2) 6" HDPE CONDUIT)		
SUM6-28F 3 PH	Install	0	1	SUM6-28F (750 MCM PRIMARY SPLICE)		
SUME690F5	Install	0	1	SUME690F5 (6" FG 90 60")		
SUME690F5	Install	0	1	SUME690F5 (6" FG 90 60")		
SUMV-1	Install	0	8	CABLE RACK RAO8 & STANCHION		
SUPB-675	Install	0	1	3? PULL BOX FEEDER		

Remarks: - INSTALL (2) SUM5026H FROM V 9891 TO V 9703.
 - (2) SUME690F5 ARE CALLED OUT FOR HORIZONTAL RUN BETWEEN UTILIWALK AND V 9703.
 - BORE: (2)6"-80' BETWEEN V 9891 AND 05A V 99G AND (2)6"-330' BETWEEN V 9891 AND V9703.

Structure: 10 SC 1231

Assembly Unit	Activity	#Cond	Qty	Unit Description	Complete	Qty
750 CONC 15KV	Install	3	530	750 CONC 15KV (WIRE, AL JCN 750MCM EPR)		
BORE	Install	1	530	BORE		
SUM1F	Install	0	1	SUM1F (CONCRETE PAD 600 A SWITCH CAB.)		
SUM1-GPA	Install	0	1	SUM1-GPA (GUARD POST W/SLEEVE)		
SUM1-GPA	Install	0	1	SUM1-GPA (GUARD POST W/SLEEVE)		
SUM3-9	Install	0	1	SUM3-9 (600 A SC 2 FUSES 2 SWITCHES)		
SUM5026H	Install	1	530	SUM5026H - Conduit ((2) 6" HDPE CONDUIT)		
SUM6-25D 3 PH	Install	0	1	SUM6-25D (4/0 PRIMARY TERMINATION)		
SUM6-25F 3 PH	Install	0	1	SUM6-25F (750 MCM PRIMARY TERMINATION)		
SUM6-25F 3 PH	Install	0	1	SUM6-25F (750 MCM PRIMARY TERMINATION)		
SUM6-36A	Install	0	1	SUM6-36A (FUSE, S&C END FITTING SML-20)		
SUM6-36A	Install	0	1	SUM6-36A (FUSE, S&C END FITTING SML-20)		
SUM6-36A	Install	0	1	SUM6-36A (FUSE, S&C END FITTING SML-20)		
SUME445F4	Install	0	1	SUME445F4 (4" FG 45 48")		
SUME630F5	Install	0	4	SUME630F5 (6" FG 30 60")		
SUME645F5	Install	0	4	SUME645F5 (6" FG 45 60")		

Remarks: - (4) SUME630F5 ARE CALLED OUT FOR HORIZONTAL RUN.
 - (2) SUME645F5 ARE CALLED OUT TO ENTER SC 1231.
 - (2) SUME645F5 ARE CALLED OUT TO EXIT SC 1231 TO V 9825.
 - (1) SUME445F4 ARE CALLED OUT TO EXIT SC 1231 TO PM 9623.
 - FUSE COMP 3 TO PM 9623 @ 40E.
 - ESTABLISH NORMAL OPEN TO SC 1233.

Structure: 11 PM 9623(92E)

Assembly Unit	Activity	#Cond	Qty	Unit Description	Complete	Qty
4/0 CONC	Install	3	95	4/0 CONC Wire (4/0 CONCENTRIC PRIMARY)		
SHUR2-5	Install	1	10	SHUR2-5 (PRIMARY TRENCH HAND -DIG)		
SUM5014H	Install	1	95	SUM5014H - Conduit ((1) 4" HDPE CONDUIT)		
SUM6-1D 3 PH	Install	0	1	SUM6-1D (4/0 LB ELBOW TERMINATION)		
SUM6-1D 3 PH	Install	0	1	SUM6-1D (4/0 LB ELBOW TERMINATION)		
SUME490F3	Install	0	2	SUME490F3 (4" FG 90 36")		
SUME490F4	Install	0	1	SUME490F4 (4" FG 90 48")		
SUR2-5	Install	1	85	SUR2-5 (PRIMARY TRENCH)		
SUM6-10	Remove	0	3	SUM6-10 (200A BUSHING CAP)		
SUM6-1D 3 PH	Remove	0	1	SUM6-1D (4/0 LB ELBOW TERMINATION)		

Remarks: - (1) SUME490F4 IS CALLED OUT FOR HORIZONTAL RUN.
 - (1) SUME490F3 IS CALLED OUT TO ENTER PM 9623.
 - (1) SUME490F3 IS CALLED OUT TO EXIT PM 9623 TO PM 9610.
 - RENUMBER TRANSFORMER TO PM 9623.

Structure: 11A 9223(T59)

Assembly Unit	Activity	#Cond	Qty	Unit Description	Complete	Qty
4/0 CONC	Remove	3	85	4/0 CONC Wire (4/0 CONCENTRIC PRIMARY)		
SM5-9B 3 PH	Remove	0	1	CUTOUT ASSEMBLY LOAD BREAK XRM MT 3 PH		
SUC1	Remove	0	1	SUC1 (PRI RISER)		
SUM5014FR	Remove	0	1	FIRST 10FT SPARE EMPTY 4" FG RISER		
SUM6-25D 3 PH	Remove	0	1	SUM6-25D (4/0 PRIMARY TERMINATION)		
SUME490F4	Remove	0	2	SUME490F4 (4" FG 90 48")		
SUM5024P	Existing	1	85	SUM5024P - Conduit ((2) 4" PVC CONDUIT)		

Chugach Electric Association 5601 Electron Drive Anchorage, AK 99518	Designer/Project Engineer _____	Date ____/____/____
	Checker _____	Date ____/____/____
	Manager/Supervisor _____	Date ____/____/____

Project: E2314215

Design: DBSS 12.5kV

In Design

15KV: DBSS ANC. SUB. OH/UG PH1

Grid: 1435,1235,1335

Remarks:

Structure: 12 PM 9610

Assembly Unit	Activity	#Cond	Qty	Unit Description	Complete	Qty
4/0 CONC	Install	3	420	4/0 CONC Wire (4/0 CONCENTRIC PRIMARY)		
SUG17A-150	Install	0	1	XFMR, PM, 150 KVA, 3 PH, LOOP		
SUM1B	Install	0	1	SUM1B (CONCRETE PAD 3 PH XFMR)		
SUM5014H	Install	1	420	SUM5014H - Conduit ((1) 4" HDPE CONDUIT)		
SUM6-10	Install	0	3	SUM6-10 (200A BUSHING CAP)		
SUM6-15	Install	0	3	SUM6-15 (200A PARKING STAND)		
SUM6-1D 3 PH	Install	0	1	SUM6-1D (4/0 LB ELBOW TERMINATION)		
SUM6-1D 3 PH	Install	0	1	SUM6-1D (4/0 LB ELBOW TERMINATION)		
SUME430F4	Install	0	2	SUME430F4 (4" FG 30 48")		
SUME490F3	Install	0	2	SUME490F3 (4" FG 90 36")		
SUME490F4	Install	0	1	SUME490F4 (4" FG 90 48")		
SUME490P2	Install	0	2	SUME490P2 (4" PVC 90 24")		
SUR2-5	Install	1	10	SUR2-5 (PRIMARY TRENCH)		

- Remarks:
- 370' IS COMMON BORE TO SC 1231.
 - 40' IS COMMON TRECH TO PM 9623.
 - (1) SUME490F4 IS CALLED OUT FOR HORIZONTAL RUN.
 - (2) SUME430F4 IS CALLED OUT FOR HORIZONTAL RUN.
 - (1) SUME490F3 ARE CALLED OUT TO ENTER TRANSFORMER.
 - (2) SUME490P2 ARE CALLED OUT TO EXIT TRANSFORMER TO SVC.
 - ESTABLISH N.O. TO PM 9623.

Structure: 12A SVC-600A

Assembly Unit	Activity	#Cond	Qty	Unit Description	Complete	Qty
500 QUAD Service	Install	1	60	500 MCM 4-WIRE SERVICE		
SHUR2-3	Install	1	10	SHUR2-3 (SECONDARY TRENCH - HAND DIG)		
SUM5014S	Install	1	10	(1) 4" STEEL CONDUIT		
SUM5014S	Install	1	10	(1) 4" STEEL CONDUIT		
SUM5026P	Install	1	60	SUM5026P - Conduit ((2) 6" PVC CONDUIT)		
SUME445P4	Install	0	2	SUME445P4 (4" PVC 45 48")		
SUME490S2	Install	0	2	SUME490S2 (4" RSC 90 24")		
SUR2-3	Install	1	50	SUR2-3 (SECONDARY TRENCH)		
SURCP	Install	1	60	SURCP (PARKING LOT CROSSING)		
4/0 QUAD Service	Remove	1	55	4/0 4-WIRE SERVICE		
4/0 QUAD Service	Remove	1	55	4/0 4-WIRE SERVICE		
SUM5024P	Abandon	1	55	SUM5024P - Conduit ((2) 4" PVC CONDUIT)		

- Remarks:
- (10') SUM5014S ARE FOR RISERS UNDER "CT" CAN.
 - (2) SUME445P4 ARE CALLED OUT FOR HORIZONTAL RUN.
 - (2) SUME490S2 ARE CALLED OUT FOR THE ENTRANCE SERVICE RISER.

*****REPEAT TO PM 9610*****

Structure: 13 SC 1251(SC 185)

Assembly Unit	Activity	#Cond	Qty	Unit Description	Complete	Qty
4/0 CONC	Install	3	180	4/0 CONC Wire (4/0 CONCENTRIC PRIMARY)		
SHUR2-5	Install	1	20	SHUR2-5 (PRIMARY TRENCH HAND -DIG)		
SUM1F	Install	0	1	SUM1F (CONCRETE PAD 600 A SWITCH CAB.)		
SUM1-GPA	Install	0	1	SUM1-GPA (GUARD POST W/SLEEVE)		
SUM1-GPA	Install	0	1	SUM1-GPA (GUARD POST W/SLEEVE)		
SUM3-9	Install	0	1	SUM3-9 (600 A SC 2 FUSES 2 SWITCHES)		
SUM5014H	Install	1	180	SUM5014H - Conduit ((1) 4" HDPE CONDUIT)		
SUM6-25D 3 PH	Install	0	1	SUM6-25D (4/0 PRIMARY TERMINATION)		
SUM6-36A	Install	0	1	SUM6-36A (FUSE, S&C END FITTING SML-20)		
SUM6-36A	Install	0	1	SUM6-36A (FUSE, S&C END FITTING SML-20)		
SUM6-36A	Install	0	1	SUM6-36A (FUSE, S&C END FITTING SML-20)		
SUM6-36A	Install	0	1	SUM6-36A (FUSE, S&C END FITTING SML-20)		
SUM6-36A	Install	0	1	SUM6-36A (FUSE, S&C END FITTING SML-20)		
SUM6-36A	Install	0	1	SUM6-36A (FUSE, S&C END FITTING SML-20)		
SUM6-4EL	Install	0	1	3-PH UG CURNT RESET FI, 600A TRIP		
SUME445F4	Install	0	3	SUME445F4 (4" FG 45 48")		
SUM1F	Remove	0	1	SUM1F (CONCRETE PAD 600 A SWITCH CAB.)		
SUM3-9	Remove	0	1	SUM3-9 (600 A SC 2 FUSES 2 SWITCHES)		
SUM6-25D 3 PH	Remove	0	1	SUM6-25D (4/0 PRIMARY TERMINATION)		
SUM6-36A	Remove	0	1	SUM6-36A (FUSE, S&C END FITTING SML-20)		

Chugach Electric Association	Designer/Project Engineer	_____	Date	___/___/___
5601 Electron Drive	Checker	_____	Date	___/___/___
Anchorage, AK 99518	Manager/Supervisor	_____	Date	___/___/___

Project: E2314215

Design: DBSS 12.5kV

In Design

15KV: DBSS ANC. SUB. OH/UG PH1

Grid: 1435,1235,1335

Structure: 13 SC 1251(SC 185)

Assembly Unit	Activity	#Cond	Qty	Unit Description	Complete	Qty
SUM6-36A	Remove	0	1	SUM6-36A (FUSE, S&C END FITTING SML-20)		
SUM6-36A	Remove	0	1	SUM6-36A (FUSE, S&C END FITTING SML-20)		
SUM6-36A	Remove	0	1	SUM6-36A (FUSE, S&C END FITTING SML-20)		
SUM6-36A	Remove	0	1	SUM6-36A (FUSE, S&C END FITTING SML-20)		
SUM6-36A	Remove	0	1	SUM6-36A (FUSE, S&C END FITTING SML-20)		
SUM6-4EL	Remove	0	1	3-PH UG CURNT RESET FI, 600A TRIP		
SUME445F4	Remove	0	1	SUME445F4 (4" FG 45 48")		

Remarks: - 160' IS COMMON BORE TO SC 1231.
 - (2) SUME445F4 ARE CALLED OUT FOR HORIZONTAL RUN.
 - (1) SUME445F4 IS CALLED OUT TO ENTER SC 1251.
 - FUSE COMP 3 TO PM 9610 @ 40E.
 - FUSE COMP 4 TO T-3616 @ 40E.

Structure: 13A T-8620 (91A)

Assembly Unit	Activity	#Cond	Qty	Unit Description	Complete	Qty
SHUR2-5	Install	1	10	SHUR2-5 (PRIMARY TRENCH HAND -DIG)		
SUG17B-150	Remove	0	1	XFMR,PM, 150 KVA, 3 PH, RADIAL		
SUM1B	Remove	0	1	SUM1B (CONCRETE PAD 3 PH XFMR)		
SUM6-10	Remove	0	3	SUM6-10 (200A BUSHING CAP)		
SUM6-1D 3 PH	Remove	0	1	SUM6-1D (4/0 LB ELBOW TERMINATION)		
SUME490F3	Remove	0	1	SUME490F3 (4" FG 90 36")		
SUME490P2	Remove	0	2	SUME490P2 (4" PVC 90 24")		
4/0 CONC	Abandon	3	325	4/0 CONC Wire (4/0 CONCENTRIC PRIMARY)		

Remarks:

Structure: 13B PM 3616 (99D)

Assembly Unit	Activity	#Cond	Qty	Unit Description	Complete	Qty
STAG-2	Install	0	3	STAG-2 (PRIMARY CABLE TAG)		
STAG-2	Remove	0	3	STAG-2 (PRIMARY CABLE TAG)		

Remarks: - RETAG TO SC 1251.

*****RETURN TO SC 1231*****

Structure: 13C SC 297M

Assembly Unit	Activity	#Cond	Qty	Unit Description	Complete	Qty
STAG-2	Install	0	3	STAG-2 (PRIMARY CABLE TAG)		
STAG-2	Remove	0	3	STAG-2 (PRIMARY CABLE TAG)		

Remarks: - RETAG CABLE TO SC 1251.
 - CHANGE SC NUMBER FROM SC 297 TO SC 297M AND INSTALL NEW SWITCH #.

Structure: 13D SC 143M

Assembly Unit	Activity	#Cond	Qty	Unit Description	Complete	Qty
STAG-2	Install	0	3	STAG-2 (PRIMARY CABLE TAG)		
STAG-2	Remove	0	3	STAG-2 (PRIMARY CABLE TAG)		

Remarks: - RETAG CABLE TO SC 1251.
 - CHANGE SC NUMBER FROM SC 143 TO SC 143M AND INSTALL NEW SWITCH #.

***** RETURN TO SC 1231 *****

Structure: 14 V 9825

Assembly Unit	Activity	#Cond	Qty	Unit Description	Complete	Qty
750 CONC 15KV	Install	3	20	750 CONC 15KV (WIRE, AL JCN 750MCM EPR)		
SUM5026H	Install	1	20	SUM5026H - Conduit ((2) 6" HDPE CONDUIT)		
SUME690F4	Install	0	1	SUME690F4 (6" FG 90D 48"R)		
SUME690F4	Install	0	1	SUME690F4 (6" FG 90D 48"R)		
SUMV-1	Install	0	10	CABLE RACK RAO8 & STANCHION		
SUR2-5	Install	1	10	SUR2-5 (PRIMARY TRENCH)		
SUR2-ST	Install	1	10	SUR2-ST (VERY DEEP PRIMARY TRENCH)		
SUPV-814	Existing	0	1	Pull Vault 8x14x8		

Remarks: - NO SPLICE REQUIRED IN THIS VAULT.

Structure: 15 V 9863

Assembly Unit	Activity	#Cond	Qty	Unit Description	Complete	Qty
---------------	----------	-------	-----	------------------	----------	-----

Chugach Electric Association	Designer/Project Engineer	_____	Date	___/___/___
5601 Electron Drive	Checker	_____	Date	___/___/___
Anchorage, AK 99518	Manager/Supervisor	_____	Date	___/___/___

Project: E2314215

Design: DBSS 12.5kV

In Design

15KV: DBSS ANC. SUB. OH/UG PH1

Grid: 1435,1235,1335

Structure: 15 V 9863

Assembly Unit	Activity	#Cond	Qty	Unit Description	Complete	Qty
750 CONC	Install	3	1,010	750 CONC Wire (750 CONCENTRIC PRIMARY)		
BORE	Install	1	1,010	BORE		
SUM5026H	Install	1	1,010	SUM5026H - Conduit ((2) 6" HDPE CONDUIT)		
SUM6-28F 3 PH	Install	0	1	SUM6-28F (750 MCM PRIMARY SPLICE)		
SUMV-1	Install	0	10	CABLE RACK RAO8 & STANCHION		
SUPV-814	Existing	0	1	Pull Vault 8x14x8		

Remarks:

Structure: 16 V 9801

Assembly Unit	Activity	#Cond	Qty	Unit Description	Complete	Qty
750 CONC 15KV	Install	3	1,000	750 CONC 15KV (WIRE, AL JCN 750MCM EPR)		
BORE	Install	1	1,000	BORE		
SUM5026H	Install	1	1,000	SUM5026H - Conduit ((2) 6" HDPE CONDUIT)		
SUM6-28F 3 PH	Install	0	1	SUM6-28F (750 MCM PRIMARY SPLICE)		
SUMV-1	Install	0	10	CABLE RACK RAO8 & STANCHION		
SUPV-814	Existing	0	1	Pull Vault 8x14x8		

Remarks:

Structure: 17 SC 1233

Assembly Unit	Activity	#Cond	Qty	Unit Description	Complete	Qty
750 CONC 15KV	Install	3	280	750 CONC 15KV (WIRE, AL JCN 750MCM EPR)		
BORE	Install	1	280	BORE		
SUM1F	Install	0	1	SUM1F (CONCRETE PAD 600 A SWITCH CAB.)		
SUM1-GPA	Install	0	1	SUM1-GPA (GUARD POST W/SLEEVE)		
SUM1-GPA	Install	0	1	SUM1-GPA (GUARD POST W/SLEEVE)		
SUM3-9	Install	0	1	SUM3-9 (600 A SC 2 FUSES 2 SWITCHES)		
SUM5026H	Install	1	280	SUM5026H - Conduit ((2) 6" HDPE CONDUIT)		
SUM6-25D 3 PH	Install	0	1	SUM6-25D (4/0 PRIMARY TERMINATION)		
SUM6-25F 3 PH	Install	0	1	SUM6-25F (750 MCM PRIMARY TERMINATION)		
SUM6-25F 3 PH	Install	0	1	SUM6-25F (750 MCM PRIMARY TERMINATION)		
SUM6-36A	Install	0	1	SUM6-36A (FUSE, S&C END FITTING SML-20)		
SUM6-36A	Install	0	1	SUM6-36A (FUSE, S&C END FITTING SML-20)		
SUM6-36A	Install	0	1	SUM6-36A (FUSE, S&C END FITTING SML-20)		
SUME445F4	Install	0	2	SUME445F4 (4" FG 45 48")		
SUME630F5	Install	0	4	SUME630F5 (6" FG 30 60")		
SUME645F5	Install	0	4	SUME645F5 (6" FG 45 60")		

- Remarks:
- (2) SUME645F5 ARE CALLED OUT TO ENTER SC 1233.
 - (2) SUME645F5 ARE CALLED OUT TO EXIT SC 1233 TO SC 1232.
 - (2) SUME445F4 ARE CALLED OUT TO EXIT SC 1233 TO PM 9412.
 - (4) SUME630F5 ARE CALLED OUT FOR HORIZONTAL RUM.
 - FUSE COMPARTMENT 3 TO PM 9412 @ 40E.
 - INSTALL GUARD POSTS ON THE EAST SIDE OF THE SWITCH CABINET.
 - INSTALL FAULT INDICATOR IN COMPARTMENT 2.

Structure: 18 PM 9412 (91B)

Assembly Unit	Activity	#Cond	Qty	Unit Description	Complete	Qty
4/0 CONC	Install	3	130	4/0 CONC Wire (4/0 CONCENTRIC PRIMARY)		
SHUR2-5	Install	1	20	SHUR2-5 (PRIMARY TRENCH HAND -DIG)		
SUM12C	Install	0	1	UG LOCATOR DISC		
SUM5012H	Install	1	125	SUM5012H - Conduit ((1) 2" HDPE CONDUIT)		
SUM5014H	Install	1	125	SUM5014H - Conduit ((1) 4" HDPE CONDUIT)		
SUM5014H	Install	1	130	SUM5014H - Conduit ((1) 4" HDPE CONDUIT)		
SUM6-15	Install	0	3	SUM6-15 (200A PARKING STAND)		
SUM6-1D 3 PH	Install	0	1	SUM6-1D (4/0 LB ELBOW TERMINATION)		
SUME430F4	Install	0	2	SUME430F4 (4" FG 30 48")		
SUME490F3	Install	0	1	SUME490F3 (4" FG 90 36")		
SUME490F5	Install	0	1	SUME490F5 (4" FG 90 60")		
SUR2-5	Install	1	110	SUR2-5 (PRIMARY TRENCH)		
SURCP	Install	1	130	SURCP (PARKING LOT CROSSING)		
SUM6-1D 3 PH	Remove	0	1	SUM6-1D (4/0 LB ELBOW TERMINATION)		
SUME490F3	Remove	0	1	SUME490F3 (4" FG 90 36")		
SUM6-10	Existing	0	3	SUM6-10 (200A BUSHING CAP)		

Chugach Electric Association
 5601 Electron Drive
 Anchorage, AK 99518

Designer/Project Engineer _____ Date ____/____/____
 Checker _____ Date ____/____/____
 Manager/Supervisor _____ Date ____/____/____

Project: E2314215

Design: DBSS 12.5kV

In Design

15KV: DBSS ANC. SUB. OH/UG PH1

Grid: 1435,1235,1335

- Remarks:
- (1) SUME490F5 ARE CALLED OUT FOR HORIZONTAL RUN.
 - (1) SUME490F3 ARE CALLED OUT TO ENTER PM 9412.
 - (2) SUME430S4 ARE CALLED OUT FOR HORIZONTAL RUN.
 - INSTALL LOCATOR DISK ABOVE SPARE CONDUITS.
 - ESTABLISH N.O. TO SC 1232.

Structure: 19 P 9210(91A)

Assembly Unit	Activity	#Cond	Qty	Unit Description	Complete	Qty
SHUR2-5	Install	1	5	SHUR2-5 (PRIMARY TRENCH HAND -DIG)		
4/0 CONC	Remove	3	70	4/0 CONC Wire (4/0 CONCENTRIC PRIMARY)		
SM5-9PB 3 PH	Remove	0	3	CUTOUT ASSEMBLY LOAD BREAK POLE MT 3 PH		
SUC1	Remove	0	1	SUC1 (PRI RISER)		
SUM6-25D 3 PH	Remove	0	1	SUM6-25D (4/0 PRIMARY TERMINATION)		
SUME490F4	Remove	0	1	SUME490F4 (4" FG 90 48")		
SUM5014P	Abandon	1	70	SUM5014P - Conduit ((1) 4" PVC CONDUIT)		

Remarks: ***** RETURN TO SC 1233 *****

Structure: 20 SC 1232 (92C)

Assembly Unit	Activity	#Cond	Qty	Unit Description	Complete	Qty
750 CONC 15KV	Install	3	400	750 CONC 15KV (WIRE, AL JCN 750MCM EPR)		
BORE	Install	1	380	BORE		
SHUR2-5	Install	1	20	SHUR2-5 (PRIMARY TRENCH HAND -DIG)		
SUM1F	Install	0	1	SUM1F (CONCRETE PAD 600 A SWITCH CAB.)		
SUM3-9	Install	0	1	SUM3-9 (600 A SC 2 FUSES 2 SWITCHES)		
SUM5026H	Install	1	400	SUM5026H - Conduit ((2) 6" HDPE CONDUIT)		
SUM6-25D 3 PH	Install	0	1	SUM6-25D (4/0 PRIMARY TERMINATION)		
SUM6-25F 3 PH	Install	0	1	SUM6-25F (750 MCM PRIMARY TERMINATION)		
SUM6-25F 3 PH	Install	0	1	SUM6-25F (750 MCM PRIMARY TERMINATION)		
SUM6-36A	Install	0	1	SUM6-36A (FUSE, S&C END FITTING SML-20)		
SUM6-36A	Install	0	1	SUM6-36A (FUSE, S&C END FITTING SML-20)		
SUM6-36A	Install	0	1	SUM6-36A (FUSE, S&C END FITTING SML-20)		
SUME645F5	Install	0	6	SUME645F5 (6" FG 45 60")		
SUME690F5	Install	0	2	SUME690F5 (6" FG 90 60")		
SUM1-CA	Remove	0	1	SUM1-CA (SUM1F METAL PAD COVERING)		
SUM1F	Remove	0	1	SUM1F (CONCRETE PAD 600 A SWITCH CAB.)		
SUM6-28D 3 PH	Remove	0	1	SUM6-28D (4/0 PRIMARY SPLICE)		
SUME445F4	Existing	0	2	SUME445F4 (4" FG 45 48")		
SUME645F5	Existing	0	2	SUME645F5 (6" FG 45 60")		

- Remarks:
- (2) SUME645F5 FOR HORIZONTAL TURN.
 - (2) SUME690F5 FOR HORIZONTAL TURN.
 - (2) SUME645F5 ARE CALLED OUT TO ENTER SC 1232.
 - (2) SUME645F5 ARE CALLED OUT TO EXIT SC 1232 TO SC401M.
 - FUSE COMP 3 TO PM 9412 @ 40E.

Structure: 22 RPT.PM 9412 92B

Assembly Unit	Activity	#Cond	Qty	Unit Description	Complete	Qty
STAG-2	Install	0	1	STAG-2 (PRIMARY CABLE TAG)		
STAG-2	Remove	0	1	STAG-2 (PRIMARY CABLE TAG)		
4/0 CONC	Existing	3	295	4/0 CONC Wire (4/0 CONCENTRIC PRIMARY)		
SUM5014P	Existing	1	295	SUM5014P - Conduit ((1) 4" PVC CONDUIT)		
SUM5016P	Existing	1	295	SUM5016P - Conduit ((1) 6" PVC CONDUIT)		

Remarks: - RETAG CONDUCTOR NORTH TO SC 1232, PREVIOUSLY TO SC 359.

***** RETURN TO SC 1232 *****

Structure: 23 SC 359M

Assembly Unit	Activity	#Cond	Qty	Unit Description	Complete	Qty
4/0 CONC	Remove	3	325	4/0 CONC Wire (4/0 CONCENTRIC PRIMARY)		
SUM6-1D 3 PH	Remove	0	1	SUM6-1D (4/0 LB ELBOW TERMINATION)		
SUM5014P	Existing	1	325	SUM5014P - Conduit ((1) 4" PVC CONDUIT)		
SUM5016P	Existing	1	325	SUM5016P - Conduit ((1) 6" PVC CONDUIT)		
SUME445F4	Existing	0	1	SUME445F4 (4" FG 45 48")		
SUME645F5	Existing	0	1	SUME645F5 (6" FG 45 60")		

Remarks: - CHANGE SC NUMBER FROM SC 359 TO SC 359M AND INSTALL SWITCH #.

***** REPEAT SC 1232.*****

Chugach Electric Association	Designer/Project Engineer	_____	Date	___/___/___
5601 Electron Drive	Checker	_____	Date	___/___/___
Anchorage, AK 99518	Manager/Supervisor	_____	Date	___/___/___

Project: E2314215

Design: DBSS 12.5kV

In Design

15KV: DBSS ANC. SUB. OH/UG PH1

Grid: 1435,1235,1335

Structure: 24 P 93G CNDT SPLICE

Assembly Unit	Activity	#Cond	Qty	Unit Description	Complete	Qty
BORE	Install	1	265	BORE		
SHUR2-5	Install	1	10	SHUR2-5 (PRIMARY TRENCH HAND -DIG)		
SHUR2-6	Install	1	40	SHUR2-6 (HAND DIGGING DEEP TRENCH)		
SUM5026H	Install	1	315	SUM5026H - Conduit ((2) 6" HDPE CONDUIT)		
SUME645F5	Install	0	2	SUME645F5 (6" FG 45 60")		
SM5-9B 3 PH	Remove	0	1	CUTOUT ASSEMBLY LOAD BREAK XRM MT 3 PH		
SUC3	Remove	0	1	SUC3 (PRI RISER)		
SUM6-25F 3 PH	Remove	0	1	SUM6-25F (750 MCM PRIMARY TERMINATION)		
SUME690S5	Remove	0	2	SUME690S5 (6" RSC 90 60")		

Remarks: - (2) SUME645F5 ARE CALLED OUT FOR HORIZONTAL RUN.
- SPLICE NEW CONDUITS WITH EXISTING CONDUITS TO SC 401M.

Structure: 25 SC 401M

Assembly Unit	Activity	#Cond	Qty	Unit Description	Complete	Qty
750 CONC 15KV	Install	3	650	750 CONC 15KV (WIRE, AL JCN 750MCM EPR)		
CLEAN CNDT	Install	1	335	CLEAN CNDT (MANDREL & SWAB)		
SUM6-25F 3 PH	Install	0	1	SUM6-25F (750 MCM PRIMARY TERMINATION)		
SUM6-4EL	Install	0	1	3-PH UG CURNT RESET FI, 600A TRIP		
SUMV-1	Install	0	10	CABLE RACK RAO8 & STANCHION		
750 CONC 15KV	Remove	3	335	750 CONC 15KV (WIRE, AL JCN 750MCM EPR)		
SUM6-25F 3 PH	Remove	0	1	SUM6-25F (750 MCM PRIMARY TERMINATION)		
SUM6-4EL	Remove	0	1	3-PH UG CURNT RESET FI, 600A TRIP		
SUM5026P	Existing	1	335	SUM5026P - Conduit ((2) 6" PVC CONDUIT)		

Remarks: - CHANGE SC NUMBER FROM SC 401 TO SC 401M AND INSTALL SWITCH #.
- REMOVE EXISTING PLACARD AND INSTALL NEW PLACARD FOR IDENTIFIED DUCT.

Structure: 26 P 92A (T69)

Assembly Unit	Activity	#Cond	Qty	Unit Description	Complete	Qty
SE1-5	Remove	0	1	SE1-5 (DOWN GUY, SINGLE, 16M)		
SEM-I42	Remove	0	1	SEM-I42 (GUY STRAIN INSULATOR-54")		
SF4PL	Remove	0	1	SF4PL (ANCHOR, ROD TW EYE 1" X10')		

Remarks: *****SEE SHEET 12, SOUTH OF E.19TH.*****

Structure: 27 P 93C(T68)

Assembly Unit	Activity	#Cond	Qty	Unit Description	Complete	Qty
A7-1	Remove	0	1	A7-1 (XARM SINGLE DEADEND)		
SE2-5 Material	Remove	0	1	SE2-5 (SPAN GUY, SINGLE, 16M)		

Remarks:

Structure: 28 P 94A(T67)

Assembly Unit	Activity	#Cond	Qty	Unit Description	Complete	Qty
A7-1	Install	0	1	A7-1 (XARM SINGLE DEADEND)		
SE1-5	Install	0	1	SE1-5 (DOWN GUY, SINGLE, 16M)		
SF4P	Install	0	1	SF4P (ANCHOR,PLATE,16M, 3/4" X 8' RO)		
4 ACSR 1 PH	Remove	1	300	4 ACSR 1 PH (OH PRIMARY CONDUCTOR)		
4 ACSR Neutral	Remove	1	300	4 ACSR Neutral		
A9-1	Remove	0	1	A9-1 (SINGLE XARM)		

Remarks:

Structure: 29 P 95B(T66)

Assembly Unit	Activity	#Cond	Qty	Unit Description	Complete	Qty
SM5-9B	Install	0	1	CUTOUT ASSEMBLY LOAD BREAK XRM MT		
SM5-9A	Remove	0	1	SM5-9A (CUTOUT ASSEMBLY NON LB XARM MT)		
4 ACSR 1 PH	Existing	1	300	4 ACSR 1 PH (OH PRIMARY CONDUCTOR)		
4 ACSR Neutral	Existing	1	300	4 ACSR Neutral		
A8	Existing	0	1	A8 (XARM DOUBLE DEADEND)		
J11	Existing	0	1	J11 (SECONDARY DEADEND)		
SL5-AAL	Existing	0	1	LED WOOD POLE STREET LIGHT, 150W HPS EQ		

Remarks: *****SEE SHEET 2, WEST OF E.16TH AND BRAGAW INTERSECTION*****
- REMOVE NON-LOAD BREAK CUTOUT AND REPLACE WITH A LOAD BREAK CUTOUT.
- FUSE AT 100T.

Structure: 30 P 9392 (99E)

Assembly Unit	Activity	#Cond	Qty	Unit Description	Complete	Qty
SE1-5	Remove	0	1	SE1-5 (DOWN GUY, SINGLE, 16M)		

Chugach Electric Association 5601 Electron Drive Anchorage, AK 99518	Designer/Project Engineer _____ Date ____/____/____ Checker _____ Date ____/____/____ Manager/Supervisor _____ Date ____/____/____
--	--

Project: E2314215

Design: DBSS 12.5kV

In Design

15KV: DBSS ANC. SUB. OH/UG PH1

Grid: 1435,1235,1335

Structure: 30 P 9392 (99E)

Assembly Unit	Activity	#Cond	Qty	Unit Description	Complete	Qty
SF-1S	Remove	0	1	SF-1S (ANCHOR, 1 HELIX, 8M, 7' EXT.)		
SE2-5 Material	Existing	0	1	SE2-5 (SPAN GUY, SINGLE, 16M)		
SE2-5 Material	Existing	0	1	SE2-5 (SPAN GUY, SINGLE, 16M)		

Remarks: *****THIS WORK LOCATION ON SHEET 4*****

Structure: 31 P 9497

Assembly Unit	Activity	#Cond	Qty	Unit Description	Complete	Qty
POLE35/5	Install	0	1	POLE35/5 (POLE, 035 CLASS 5)		
SE1-5	Install	0	1	SE1-5 (DOWN GUY, SINGLE, 16M)		
SE2-5 Material	Install	0	1	SE2-5 (SPAN GUY, SINGLE, 16M)		
SF4P	Install	0	1	SF4P (ANCHOR,PLATE,16M, 3/4" X 8' RO)		

Remarks:

Structure: 32 P 91C(T61)

Assembly Unit	Activity	#Cond	Qty	Unit Description	Complete	Qty
SC7A-2	Remove	0	1	SC7A-2 (XARM SNGL 4-WIRE DEADEND)		
SE2-5 Material	Remove	0	1	SE2-5 (SPAN GUY, SINGLE, 16M)		

Remarks:

Structure: 33 91D(T60)

Assembly Unit	Activity	#Cond	Qty	Unit Description	Complete	Qty
4/0 ACSR	Remove	3	210	4/0 ACSR (OH PRIMARY CONDUCTOR)		
4/0 ACSR NEUTRAL	Remove	1	210	WIRE, ACSR #4/0 NEUTRAL		
SC9-2A	Remove	0	1	SC9-2A (UNDERBUILD XARM LGCNDR)		

Remarks: - REPEAT 12 92D (T59).

Structure: 34 P 92D(T59)

Assembly Unit	Activity	#Cond	Qty	Unit Description	Complete	Qty
4/0 ACSR	Remove	3	350	4/0 ACSR (OH PRIMARY CONDUCTOR)		
4/0 ACSR NEUTRAL	Remove	1	350	WIRE, ACSR #4/0 NEUTRAL		
SC9-2A	Remove	0	1	SC9-2A (UNDERBUILD XARM LGCNDR)		

Remarks:

Structure: 35 P 93A(T58)

Assembly Unit	Activity	#Cond	Qty	Unit Description	Complete	Qty
4/0 ACSR	Remove	3	210	4/0 ACSR (OH PRIMARY CONDUCTOR)		
4/0 ACSR NEUTRAL	Remove	1	210	WIRE, ACSR #4/0 NEUTRAL		
SC9-3A	Remove	0	1	SC9-3A (SINGLE XARM LGCNDR)		

Remarks:

Structure: 36 P 94A(T57)

Assembly Unit	Activity	#Cond	Qty	Unit Description	Complete	Qty
4/0 ACSR	Remove	3	285	4/0 ACSR (OH PRIMARY CONDUCTOR)		
4/0 ACSR NEUTRAL	Remove	1	285	WIRE, ACSR #4/0 NEUTRAL		
SC9-3A	Remove	0	1	SC9-3A (SINGLE XARM LGCNDR)		

Remarks:

Structure: 37 P 95B(T56)

Assembly Unit	Activity	#Cond	Qty	Unit Description	Complete	Qty
4/0 ACSR	Remove	3	325	4/0 ACSR (OH PRIMARY CONDUCTOR)		
4/0 ACSR NEUTRAL	Remove	1	325	WIRE, ACSR #4/0 NEUTRAL		
SC9-3A	Remove	0	1	SC9-3A (SINGLE XARM LGCNDR)		

Remarks:

Structure: 38 P 96C(T55)

Assembly Unit	Activity	#Cond	Qty	Unit Description	Complete	Qty
4/0 ACSR	Remove	3	200	4/0 ACSR (OH PRIMARY CONDUCTOR)		
4/0 ACSR NEUTRAL	Remove	1	200	WIRE, ACSR #4/0 NEUTRAL		
SC9-3A	Remove	0	1	SC9-3A (SINGLE XARM LGCNDR)		

Remarks:

Chugach Electric Association	Designer/Project Engineer	_____	Date	___/___/___
5601 Electron Drive	Checker	_____	Date	___/___/___
Anchorage, AK 99518	Manager/Supervisor	_____	Date	___/___/___

Project: E2314215

Design: DBSS 12.5kV

In Design

15KV: DBSS ANC. SUB. OH/UG PH1

Grid: 1435,1235,1335

Structure: 39 P 97B(T54)

<u>Assembly Unit</u>	<u>Activity</u>	<u>#Cond</u>	<u>Qty</u>	<u>Unit Description</u>	<u>Complete</u>	<u>Qty</u>
4/0 ACSR	Remove	3	330	4/0 ACSR (OH PRIMARY CONDUCTOR)		
4/0 ACSR NEUTRAL	Remove	1	330	WIRE, ACSR #4/0 NEUTRAL		
SC9-3A	Remove	0	1	SC9-3A (SINGLE XARM LGCNDR)		

Remarks:

Structure: 40 P 98G(T53)

<u>Assembly Unit</u>	<u>Activity</u>	<u>#Cond</u>	<u>Qty</u>	<u>Unit Description</u>	<u>Complete</u>	<u>Qty</u>
4/0 ACSR	Remove	3	305	4/0 ACSR (OH PRIMARY CONDUCTOR)		
4/0 ACSR NEUTRAL	Remove	1	305	WIRE, ACSR #4/0 NEUTRAL		
SC9-3A	Remove	0	1	SC9-3A (SINGLE XARM LGCNDR)		

Remarks:

Structure: 41 P 99B

<u>Assembly Unit</u>	<u>Activity</u>	<u>#Cond</u>	<u>Qty</u>	<u>Unit Description</u>	<u>Complete</u>	<u>Qty</u>
4/0 ACSR	Remove	3	365	4/0 ACSR (OH PRIMARY CONDUCTOR)		
4/0 ACSR NEUTRAL	Remove	1	365	WIRE, ACSR #4/0 NEUTRAL		
SC9-3A	Remove	0	1	SC9-3A (SINGLE XARM LGCNDR)		

Remarks:

Structure: 42 P 9210(91A)

<u>Assembly Unit</u>	<u>Activity</u>	<u>#Cond</u>	<u>Qty</u>	<u>Unit Description</u>	<u>Complete</u>	<u>Qty</u>
4/0 ACSR	Remove	3	270	4/0 ACSR (OH PRIMARY CONDUCTOR)		
4/0 ACSR NEUTRAL	Remove	1	270	WIRE, ACSR #4/0 NEUTRAL		
SC9-2A	Remove	0	1	SC9-2A (UNDERBUILD XARM LGCNDR)		

Remarks:

Structure: 43 P 92D

<u>Assembly Unit</u>	<u>Activity</u>	<u>#Cond</u>	<u>Qty</u>	<u>Unit Description</u>	<u>Complete</u>	<u>Qty</u>
4/0 ACSR	Remove	3	265	4/0 ACSR (OH PRIMARY CONDUCTOR)		
4/0 ACSR NEUTRAL	Remove	1	265	WIRE, ACSR #4/0 NEUTRAL		
SC9-3A	Remove	0	1	SC9-3A (SINGLE XARM LGCNDR)		

Remarks:

Structure: 44 P 93B

<u>Assembly Unit</u>	<u>Activity</u>	<u>#Cond</u>	<u>Qty</u>	<u>Unit Description</u>	<u>Complete</u>	<u>Qty</u>
4/0 ACSR	Remove	3	205	4/0 ACSR (OH PRIMARY CONDUCTOR)		
4/0 ACSR NEUTRAL	Remove	1	205	WIRE, ACSR #4/0 NEUTRAL		
SC9-3A	Remove	0	1	SC9-3A (SINGLE XARM LGCNDR)		

Remarks:

Structure: 45 P 93G

<u>Assembly Unit</u>	<u>Activity</u>	<u>#Cond</u>	<u>Qty</u>	<u>Unit Description</u>	<u>Complete</u>	<u>Qty</u>
4/0 ACSR	Remove	3	120	4/0 ACSR (OH PRIMARY CONDUCTOR)		
4/0 ACSR NEUTRAL	Remove	1	120	WIRE, ACSR #4/0 NEUTRAL		
SC7A-2	Remove	0	1	SC7A-2 (XARM SNGL 4-WIRE DEADEND)		

Remarks:

PMH 11, 600A

SC 139M

Serial Number: _____

Revised Date: _____

Manufactured Date: _____

Revised WO/JO: _____

Notes:

WS: 2933/6693/7455
WO: 0540/M10323
-1/0 CONC B-PHASE
CIRCUIT BETWEEN
SC-230 AND T-6545
SPliced THRU IN
SC BASE.

DIRECTION
(Reference
to North)

CONDUCTOR TO:

VACANT

1/0 STR AL CONC C/C EAST TO T-7757

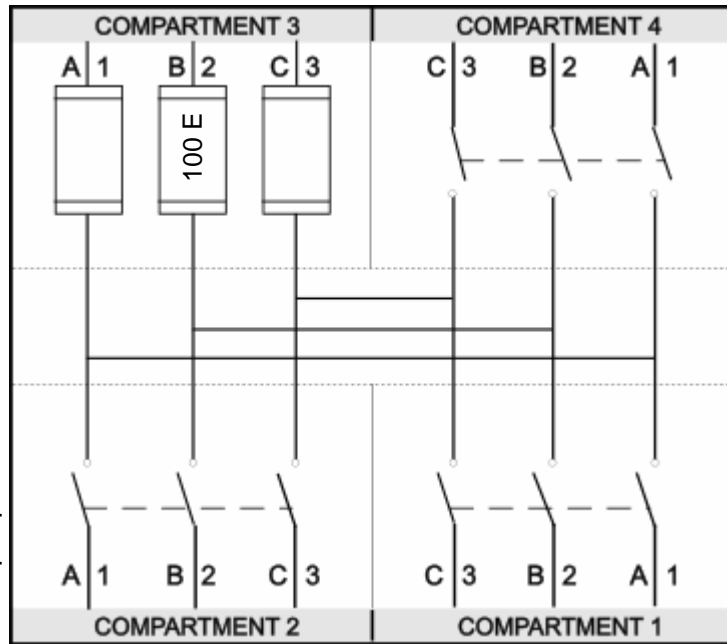
VACANT

750 MCM STR AL WS WEST TO RISER 1435-956: S15F2 SC 1230, COMP 4.

750 MCM STR AL WS WEST TO RISER 1435-956: S15F2 SC 1230, COMP 4.

750 MCM STR AL WS WEST TO RISER 1435-956: S15F2 SC 1230, COMP 4.

Switch #: 15039
Status: OPEN



Switch #: 15040
Status: OPEN

Switch #: 15038
Status: CLOSED

CONDUCTOR TO:

750 MCM STR AL WS S15F2 NORTH TO SC-140

750 MCM STR AL WS S15F2 NORTH TO SC-140

750 MCM STR AL WS S15F2 NORTH TO SC-140

750 MCM STR AL WS SOUTH TO SC 230 S15F7

750 MCM STR AL WS SOUTH TO SC 230 S15F7

750 MCM STR AL WS SOUTH TO SC 230 S15F7

Fuse Holder Type: SML 20

Fault Indicators Installed In Compartments:

2, 1, 4

Spare Fuse Holder Installed: YES



LOCATION

EAST 16TH AVE AND BRAGAW ST. (SOUTHEAST CORNER)

Inspected by: _____

Install Date: _____

Install Work Order ID: 0540/M10323

Grid Map Location No.: 1436 - 0249

Feeder: S15F7

PMH 9, 600A

SC 142M

Serial Number: _____

Manufactured Date: _____

Notes:

FUSES REQUIRE LOAD
BUSTER TOOL
WS: 6513
WO: 0155

Revised Date: _____

Revised WO/JO: _____

DIRECTION
(Reference
to North)



CONDUCTOR TO:

4/0 SHLD EAST TO T-5721

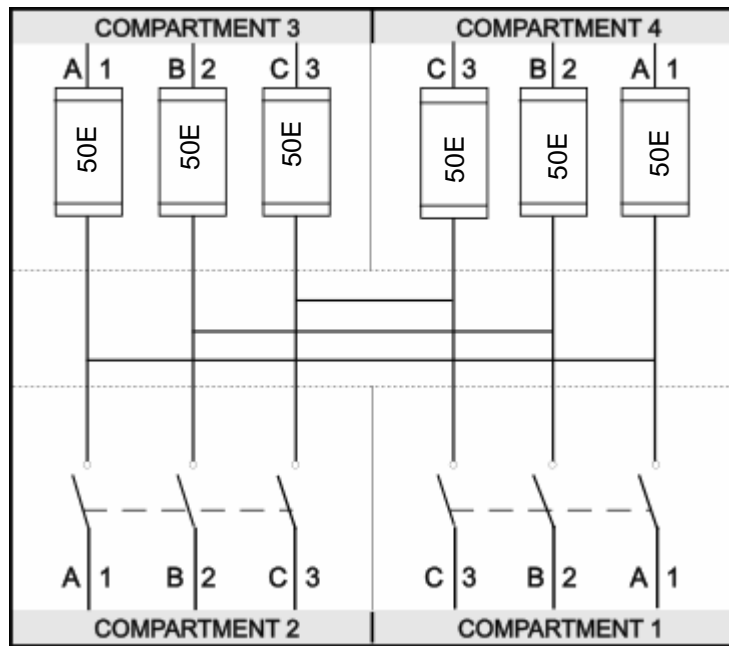
4/0 SHLD EAST TO T-5721

4/0 SHLD EAST TO T-5721

4/0 SHLD EAST & SOUTH TO T-5355

4/0 SHLD EAST & SOUTH TO T-5355

4/0 SHLD EAST & SOUTH TO T-5355



Switch #: 15121
Status: CLOSED

Switch #: 15120
Status: CLOSED

Fault Indicators Installed In
Compartments:

1

CONDUCTOR TO:

~~4/0 SHLD NORTH TO SC 1234~~

~~COMP 3~~

~~4/0 SHLD NORTH TO SC-314,~~

~~COMP 4~~

~~4/0 SHLD NORTH TO SC 1234~~

~~COMP 3~~

~~4/0 SHLD NORTH TO SC-314,~~

~~COMP 4~~

~~4/0 SHLD NORTH TO SC 1234~~

~~COMP 3~~

~~4/0 SHLD NORTH TO SC-314,~~

~~COMP 4~~

750 SHLD SOUTH TO SC 141
COMP 1

750 SHLD SOUTH TO SC 141
COMP 1

750 SHLD SOUTH TO SC 141
COMP 1

Fuse Holder Type:

SML 20

Spare Fuse Holder
Installed:

NO



LOCATION

DEBARR ROAD & BRAGAW STREET
(NORTHEAST CORNER)

Grid Map Location No.: 1335 - 9604

Inspected by: _____

Install Date: _____

Install Work

6513

Order ID: _____

Feeder: _____

S15F2

PMH 9, 600A

SC 143M

Serial Number: _____

Revised Date: _____

Manufactured Date: _____

Revised WO/JO: _____

Notes: _____

DIRECTION
(Reference to North)



CONDUCTOR TO:

4/0 SHLD NORTH TO SC 57, COMP 1

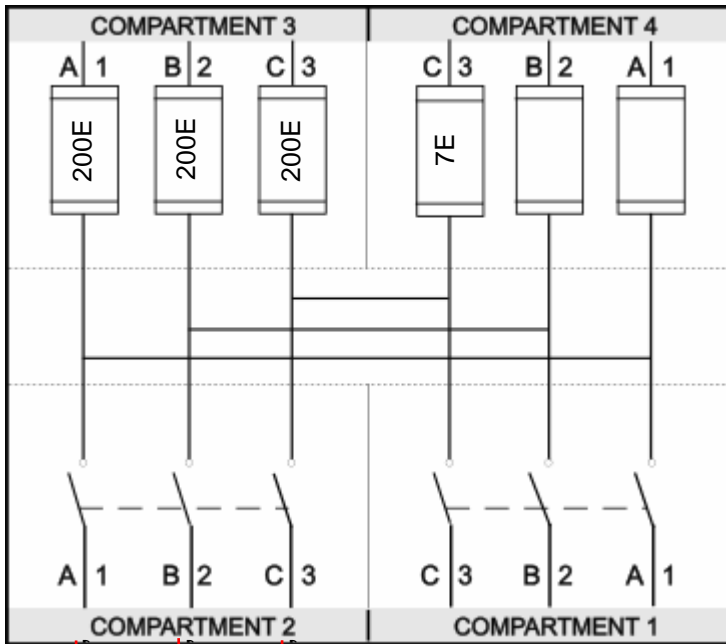
4/0 SHLD NORTH TO SC 57, COMP 1

4/0 SHLD NORTH TO SC 57, COMP 1

1/0 CONC TO T-7849 (ADJACENT)

VACANT

VACANT



Switch #: 15147
Status: CLOSED

Switch #: 15146
Status: CLOSED

CONDUCTOR TO:

1000 MCM AL SHLD WEST TO SC 185, COMP 2

1000 MCM AL SHLD WEST TO SC 185, COMP 2

1000 MCM AL SHLD WEST TO SC 185, COMP 2

750 MCM EAST TO SC 313, COMP 1

750 MCM EAST TO SC 313, COMP 1

750 MCM EAST TO SC 313, COMP 1

Fault Indicators Installed In Compartments: 2

Fuse Holder Type: _____

SML 20

Spare Fuse Holder Installed: _____

NO



LOCATION

DEBARR ROAD & BRAGAW STREET
(NORTHEAST CORNER)

Inspected by: _____

Install Date: _____

Install Work Order ID: E2314215

Grid Map Location No.: 1336 - 0403

Feeder: S14F7

PMH 9, 600A

SC 186M

Serial Number: _____

Revised Date: _____

Manufactured Date: _____

TO:

Revised WO/JO: _____

Notes:

GROUNDING BARS
INSTALLED IN CPT 1 & 2

CONDUCTOR

VACANT

VACANT

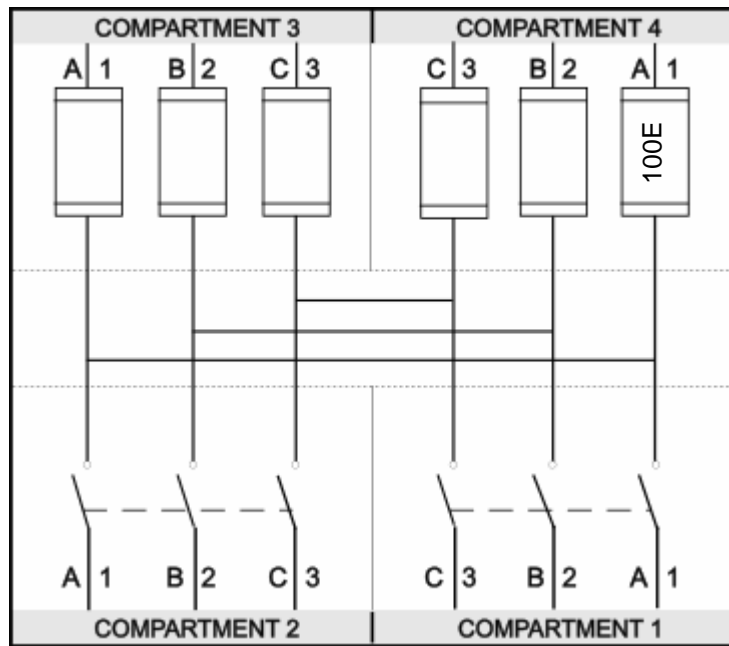
VACANT

VACANT

VACANT

4/0 SHLD SOUTH TO RISER 1436-39A
(ON KLEVIN S OF DEBARR)

DIRECTION
(Reference
to North)



Switch #: 15119
Status: CLOSED

Switch #: 15118
Status: CLOSED

Fault Indicators Installed In
Compartments:

1

TO:

CONDUCTOR

1000 SHLD EAST TO SC 187
COMP 1

1000 SHLD EAST TO SC 187
COMP 1

1000 SHLD EAST TO SC 187
COMP 1

~~1000 SHLD WEST TO SC 1234
COMP 1~~

~~1000 SHLD WEST TO SC 314
COMP 1~~

~~1000 SHLD WEST TO SC 1234
COMP 1~~

~~1000 SHLD WEST TO SC 314
COMP 1~~

~~1000 SHLD WEST TO SC 1234
COMP 1~~

~~1000 SHLD WEST TO SC 314
COMP 1~~

Fuse Holder Type:

SML 20

Spare Fuse Holder
Installed:

NO



LOCATION

DEBARR ROAD & KLEVIN STREET
(NORTHEAST CORNER)

Inspected by: _____

Install Date: 07/08/96

Install Work

Order ID: _____

Feeder: S15F2

Grid Map Location No.: 1335 - 9604

PMH 11, 600A

SC 297M

Serial Number: _____

Revised Date: _____

Manufactured Date: _____

Revised WO/JO: _____

E2314215

Notes:

WS: 5544/7060/8792
WO: 0466/2127
SUM-20 FUSES
SPARE FUSE
CANNISTER INSTALLED
200E FUSES

TO:
CONDUCTOR

4/0 STR AL SHLD NORTH TO
T-7589

4/0 STR AL SHLD NORTH TO
T-7589

4/0 STR AL SHLD NORTH TO
T-7589

1000 MCM AL SHLD EAST TO
~~SC 185, COMP. 1~~
SC 1251

1000 MCM AL SHLD EAST TO
~~SC 185, COMP. 1~~
SC 1251

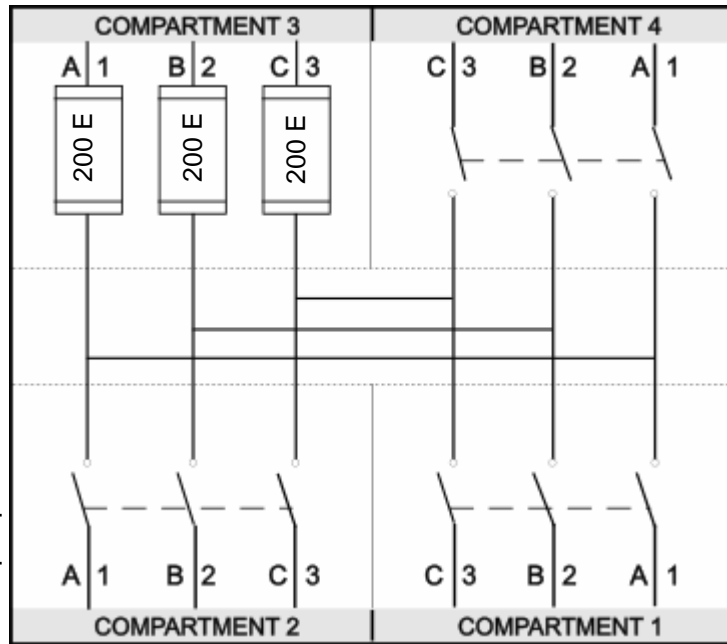
1000 MCM AL SHLD EAST TO
~~SC 185, COMP. 1~~
SC 1251

DIRECTION
(Reference to North)



Switch #: **15150**

Status: **CLOSED**



Switch #: **15149**
Status: **CLOSED**

Switch #: **15148**
Status: **CLOSED**

TO:
CONDUCTOR

750 MCM AL SHLD NORTH TO SC
39 COMP. 1

750 MCM AL SHLD NORTH TO SC
39 COMP. 1

750 MCM AL SHLD NORTH TO SC
39 COMP. 1

1000 MCM AL SHLD WEST TO SC
464 COMP. 1

1000 MCM AL SHLD WEST TO SC
464 COMP. 1

1000 MCM AL SHLD WEST TO SC
464 COMP. 1

Fuse Holder Type:

SMU 20

Fault Indicators Installed In
Compartments:

1 & 4

Spare Fuse Holder
Installed:

YES



LOCATION

DEBARR ROAD & NORTHWAY DRIVE
NORTHEAST CORNER

Inspected by: _____

Install Date: _____

Install Work
Order ID: **2127**

Grid Map Location No.: **1335 - 7604**

Feeder: **S14F7**

PMH 11, 600 A

SC 313 M

Serial Number: _____

Manufactured Date: _____

Notes:

WS: 6513/6798/6868
WO: 0155/0464/1216

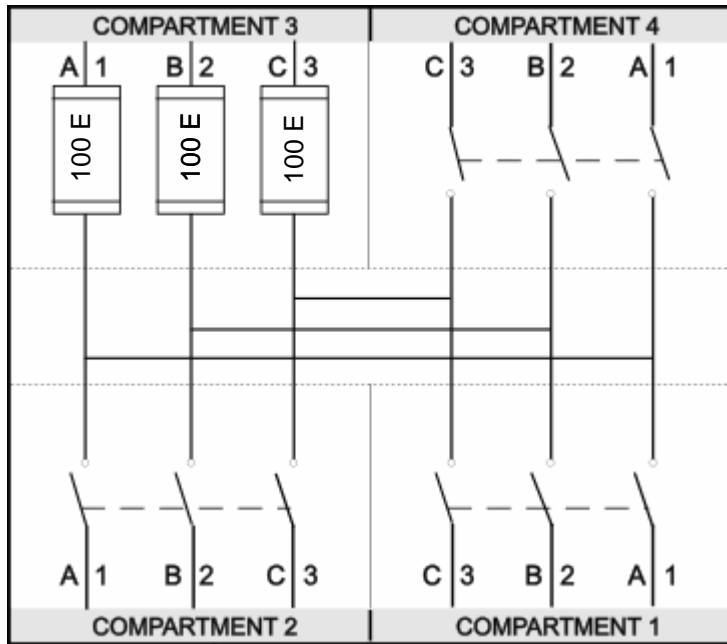
Revised Date: _____

Revised WO/JO: _____

DIRECTION
(Reference to North)



CONDUCTOR	TO:
4/0 STR AL WS EAST TO T-7464	
4/0 STR AL WS EAST TO T-7464	
4/0 STR AL WS EAST TO T-7464	
750 MCM EAST TO SC-314, COMP 2 (ADJACENT) S15F2	SC 1234
750 MCM EAST TO SC-314, COMP 2 (ADJACENT) S15F2	SC 1234
750 MCM EAST TO SC-314, COMP 2 (ADJACENT) S15F2	SC 1234



Switch #: 15047

Status: ~~OPEN~~
CLOSED

Switch #: 15048

Status: OPEN

Switch #: 15046

Status: CLOSED

Fault Indicators Installed In
Compartments:

2

CONDUCTOR	TO:
750 CONC W/N TO SC 1231, COMP 2. VIA V 9706	
750 MCM AL SHILD WEST TO RISER 1335-91C (ON THE W-SIDE OF BRAGOW)	
750 CONC W/N TO SC 1231, COMP 2. VIA V 9706	
750 MCM AL SHILD WEST TO RISER 1335-91C (ON THE W-SIDE OF BRAGOW)	
750 CONC W/N TO SC 1231, COMP 2. VIA V 9706	
750 MCM AL SHILD WEST TO RISER 1335-91C (ON THE W-SIDE OF BRAGOW)	
750 MCM WEST TO SC 143, COMP 1. (ADJACENT)	
750 MCM WEST TO SC 143, COMP 1. (ADJACENT)	
750 MCM WEST TO SC 143, COMP 1. (ADJACENT)	

Fuse Holder Type:

SML 20

Spare Fuse Holder
Installed:

NO



LOCATION
EAST DEBARR ROAD AND BRAGAW ST.
NORTHEAST CORNER

Grid Map Location No.: 1336 - 0503

Inspected by: _____

Install Date: _____

Install Work

Order ID: 0155/0464/1216

Feeder: S14F7

PMH 9, 600A

SC 359M

Serial Number: _____

Revised Date: _____

Manufactured Date: _____

Revised WO/JO: _____

Notes:

WS: 7020/7234/7255/7784
WO: 2833/2861/M11496
-ALL CIRCUITS PASS
THRU VAULT UNDER
CABINET.

DIRECTION
(Reference
to North)



CONDUCTOR TO:

~~VACANT~~
~~4/0 STR AL WS WEST TO T-8743~~

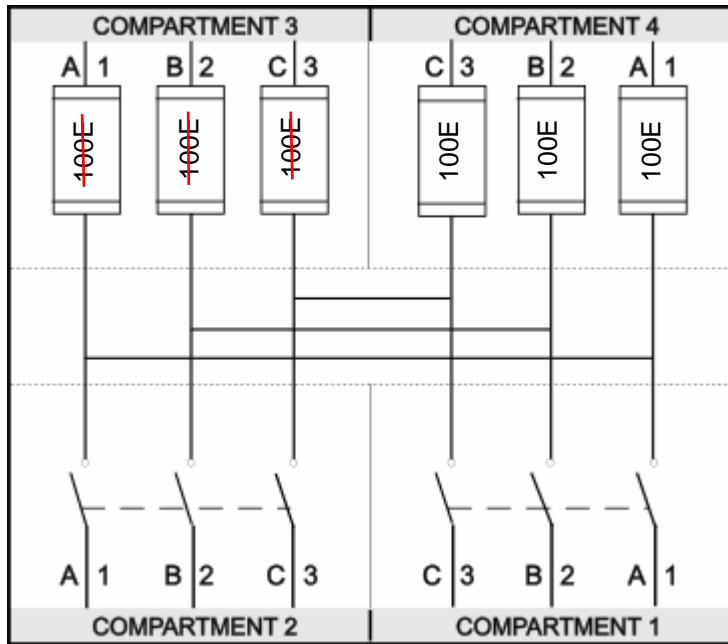
~~VACANT~~
~~4/0 STR AL WS WEST TO T-8743~~

~~VACANT~~
~~4/0 STR AL WS WEST TO T-8743~~

4/0 STR AL WS EAST TO T-8338

4/0 STR AL WS EAST TO T-8338

4/0 STR AL WS EAST TO T-8338



Switch #: 15042
Status: CLOSED

Switch #: 15041
Status: CLOSED

CONDUCTOR TO:

750 MCM STR AL WS SOUTH
TO SC -288, COMP 2

750 MCM STR AL WS SOUTH
TO SC -288, COMP 2

750 MCM STR AL WS SOUTH
TO SC -288, COMP 2

750 MCM STR AL WS NORTH TO SC
403 THRU VAULT 14D

750 MCM STR AL WS NORTH TO SC
403 THRU VAULT 14D

750 MCM STR AL WS NORTH TO SC
403 THRU VAULT 14D

Fuse Holder Type:

SML 20

Spare Fuse Holder
Installed:

NO

Fault Indicators Installed In
Compartments:

2



LOCATION

EAST 4TH AVE. AND BRAGAW ST.
SOUTHEAST CORNER

Inspected by: _____

Install Date: _____

Install Work
Order ID: E2314215

Grid Map Location No.: 1435 - 9749

Feeder: S15F5

PMH 11, 600A

SC 401M

Serial Number: _____

Revised Date: _____

Manufactured Date: _____

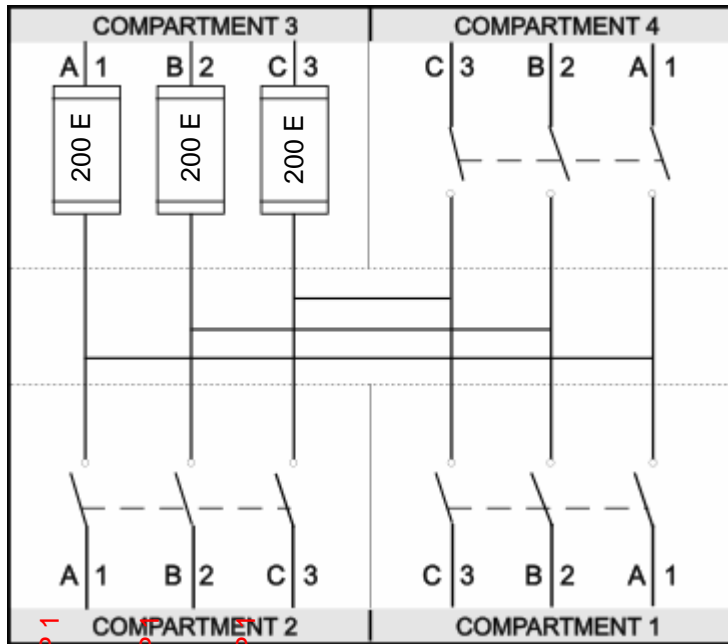
Revised WO/JO: _____

Notes:

WS: 7234/7224
WO: 2833/2797

DIRECTION
(Reference to North)

CONDUCTOR	TO:
4/0 STR AL WS E/N TO RISER 1236-15C	
4/0 STR AL WS E/N TO RISER 1236-15C	
4/0 STR AL WS E/N TO RISER 1236-15C	
750 MCM STR AL WS NORTH TO SC 400	
750 MCM STR AL WS NORTH TO SC 400	
750 MCM STR AL WS NORTH TO SC 400	



Switch #: 15045

Status: CLOSED

Switch #: 15044

Status: CLOSED

Switch #: 15043

Status: CLOSED

CONDUCTOR	TO:
750 CONC SOUTH TO SC 1232, COMP 1	
750 MCM STR AL WS SOUTH TO RISER 1235-94G	
750 CONC SOUTH TO SC 1232, COMP 1	
750 MCM STR AL WS SOUTH TO RISER 1235-94G	
750 CONC SOUTH TO SC 1232, COMP 1	
750 MCM STR AL WS SOUTH TO RISER 1235-94G	
750 MCM STR AL WS EAST TO SC 403	
750 MCM STR AL WS EAST TO SC 403	
750 MCM STR AL WS EAST TO SC 403	

Fuse Holder Type:

SML 20

Fault Indicators Installed In Compartments:

2, 1

Spare Fuse Holder Installed:

NO



LOCATION

GLENN HIGHWAY AND BRAGAW ST. ...
(SW CORNER)

Grid Map Location No.: 1235 - 8843

Inspected by: _____

Install Date: _____

Install Work

Order ID: 2833/2797

Feeder: S14F6

PMH 11, 600A

SC 1230

Serial Number: _____

Manufactured Date: _____

Notes:

Revised Date: _____

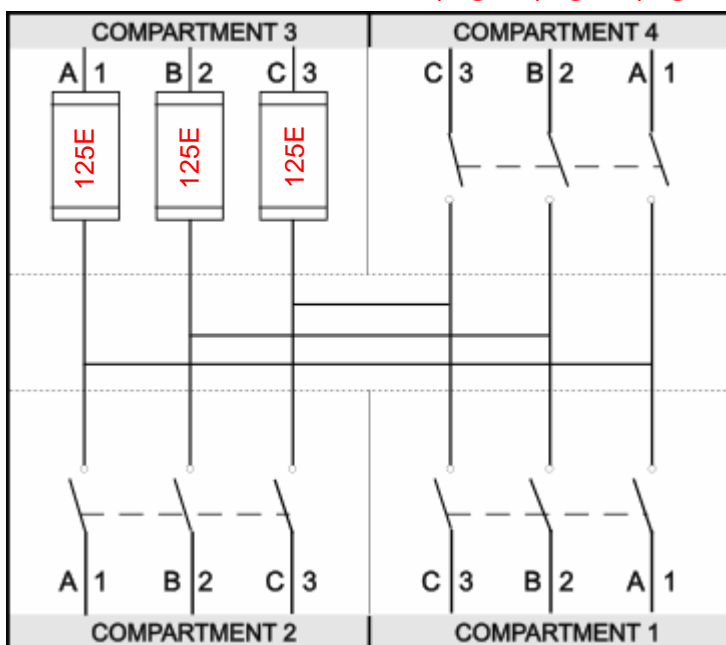
Revised WO/JO: _____

DIRECTION
(Reference to North)



TO: 4/0 CONC WEST TO POLE 9649
 TO: 4/0 CONC WEST TO POLE 9649
 TO: 4/0 CONC WEST TO POLE 9649
 TO: 750 CONC EAST TO SC 139M, COMP 4
 TO: 750 CONC EAST TO SC 139M, COMP 4
 TO: 750 CONC EAST TO SC 139M, COMP 4

CONDUCTOR



Switch #: 15051

Status: CLOSED

Switch #: 15050

Status: CLOSED

Switch #: 15049

Status: CLOSED

TO:

CONDUCTOR

VACANT
 VACANT
 VACANT
 750 CONC N/E TO SC 1234, COMP 4 THRU PP 9856 & V9891
 750 CONC N/E TO SC 1234, COMP 4 THRU PP 9856 & V9891
 750 CONC N/E TO SC 1234, COMP 4 THRU PP 9856 & V9891

Fuse Holder Type:

SML 20

Fault Indicators Installed In Compartments:

4

Spare Fuse Holder Installed:

NO



LOCATION

NORTH/EAST OF LOT TR 4C, THUNDERBIRD TERRACE SUBD.

Inspected by: _____

Install Date: _____

Install Work Order ID: E2314215

Grid Map Location No.: 1435 - 9749

Feeder: S15F2

PMH 9, 600A

SC 1231

Serial Number: _____

Revised Date: _____

Manufactured Date: _____

TO:

Revised WO/JO: _____

Notes:

CONDUCTOR

4/0 CONC SOUTH TO PM 9623

4/0 CONC SOUTH TO PM 9623

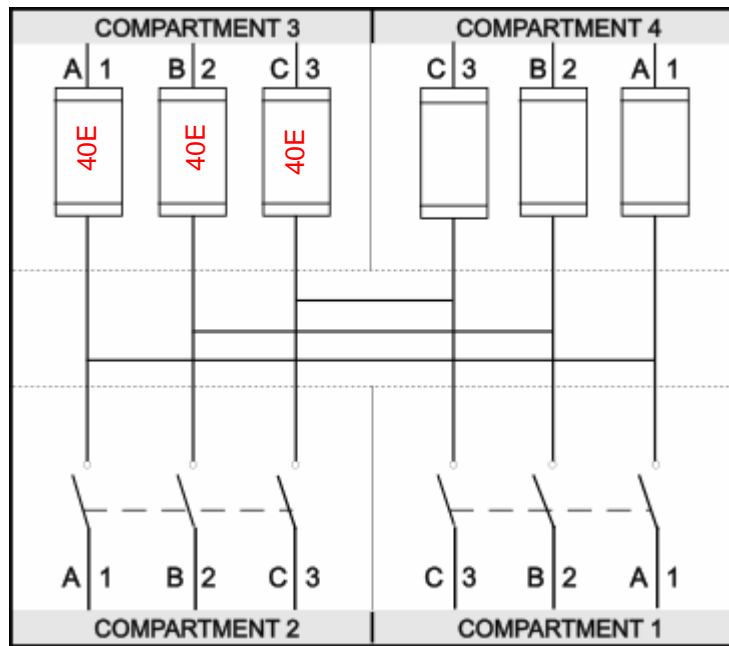
4/0 CONC SOUTH TO PM 9623

VACANT

VACANT

VACANT

DIRECTION
(Reference to North)



Switch #: 15053

Status: CLOSED

Switch #: 15052

Status: OPEN

TO:

CONDUCTOR

750 CONC S/E TO SC 313M, COMP 2
VIA V 9706

750 CONC S/E TO SC 313M, COMP 2
VIA V 9706

750 CONC S/E TO SC 313M, COMP 2
VIA V 9706

750 CONC NORTH TO SC 1233,
COMP 2 THRU VAULTS 9825,
9863 & 9801 S14F6

750 CONC NORTH TO SC 1233,
COMP 2 THRU VAULTS 9825,
9863 & 9801 S14F6

750 CONC NORTH TO SC 1233,
COMP 2 THRU VAULTS 9825,
9863 & 9801 S14F6

Fuse Holder Type:

SML 20

Spare Fuse Holder
Installed:

NO

Fault Indicators Installed In
Compartments:



LOCATION

SOUTH/WEST CORNER OF SAN
JERONIMO DR. AND BRAGAW ST.

Inspected by: _____

Install Date: _____

Install Work

Order ID: E2314215

Feeder: S14F7

Grid Map Location No.: 1335 - 9625

PMH 9, 600A

SC 1232

Serial Number: _____

Revised Date: _____

Manufactured Date: _____

TO:

Revised WO/JO: _____

Notes:

CONDUCTOR

4/0 CONC W/S TO PM 9412

4/0 CONC W/S TO PM 9412

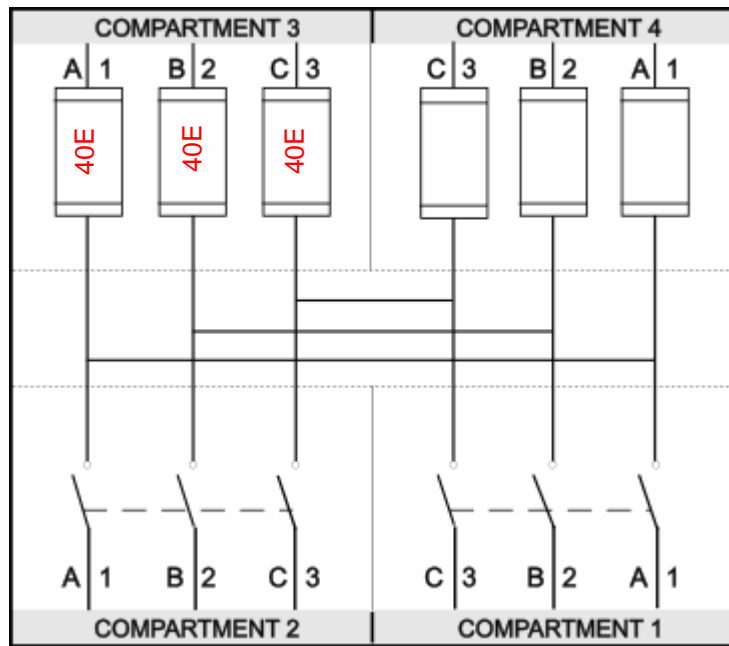
4/0 CONC W/S TO PM 9412

VACANT

VACANT

VACANT

DIRECTION
(Reference to North)



Switch #: 15055
Status: CLOSED

Switch #: 15054
Status: CLOSED

Fault Indicators Installed In
Compartments:

2

TO:

CONDUCTOR

750 CONC SOUTH TO SC 1233,
COMP 1

750 CONC SOUTH TO SC 1233,
COMP 1

750 CONC SOUTH TO SC 1233,
COMP 1

750 CONC NORTH TO SC 401M,
COMP 2

750 CONC NORTH TO SC 401M,
COMP 2

750 CONC NORTH TO SC 401M,
COMP 2

Fuse Holder Type:

SML 20

Spare Fuse Holder
Installed:

NO



LOCATION

NORTH/WEST OF LOT TRB-2B-1.

Inspected by: _____

Install Date: _____

Install Work Order ID: E2314215

Feeder: S14F6

Grid Map Location No.: 1235 - 9121

PMH 9, 600A

SC 1233

Serial Number: _____

Revised Date: _____

Manufactured Date: _____

TO:

Revised WO/JO: _____

Notes:

CONDUCTOR

4/0 CONC WEST TO PM 9412

4/0 CONC WEST TO PM 9412

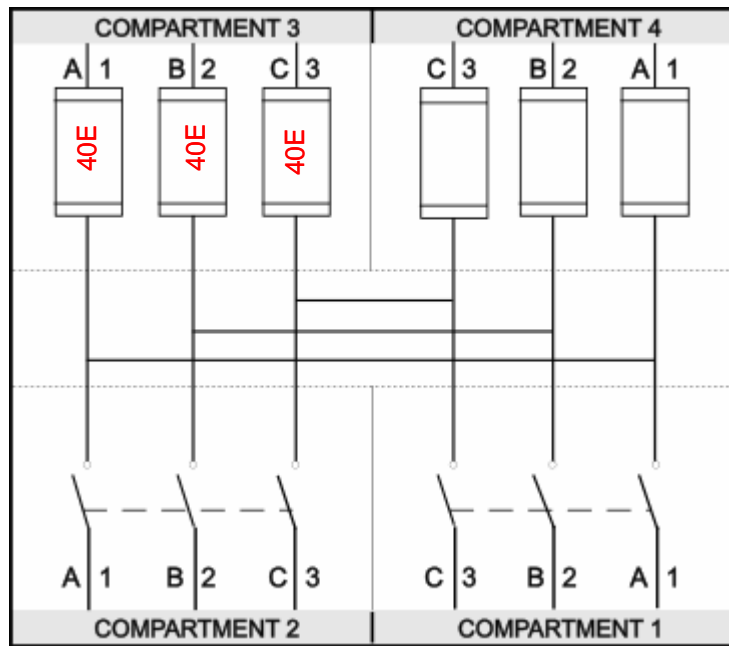
4/0 CONC WEST TO PM 9412

VACANT

VACANT

VACANT

DIRECTION
(Reference to North)



Switch #: 15061
Status: CLOSED

Switch #: 15060
Status: CLOSED

Fault Indicators Installed In Compartments:

2

CONDUCTOR TO:

750 CONC SOUTH TO SC 1231, COMP 1 THRU V 9801, 9863, 9825

750 CONC SOUTH TO SC 1231, COMP 1 THRU V 9801, 9863, 9825

750 CONC SOUTH TO SC 1231, COMP 1 THRU V 9801, 9863, 9825

750 CONC NORTH TO SC 1232, COMP 2

750 CONC NORTH TO SC 1232, COMP 2

750 CONC NORTH TO SC 1232, COMP 2

Fuse Holder Type:

SML 20

Spare Fuse Holder Installed:

NO



LOCATION

NORTH/EAST CORNER OF WILLIWAW SCHOOL SUBD.

Inspected by: _____

Install Date: _____

Install Work Order ID: E2314215

Feeder: S14F6

Grid Map Location No.: 1235 - 9812

PMH 11, 600A

SC 1234

Serial Number:

Manufactured Date:

Notes:

TO:

CONDUCTOR

4/0 SHLD SOUTH TO SC 142M
COMP 2

4/0 SHLD SOUTH TO SC 142M
COMP 2

4/0 SHLD SOUTH TO SC 142M
COMP 2

750 CONC S/W TO SC 1230, COMP 1
THRU V9891 & PP 9856

750 CONC S/W TO SC 1230, COMP 1
THRU V9891 & PP 9856

750 CONC S/W TO SC 1230, COMP 1
THRU V9891 & PP 9856

Revised Date:

Revised WO/JO:

DIRECTION
(Reference to North)

Switch #:

15063

Status:

CLOSED

Switch #:

15064

Status:

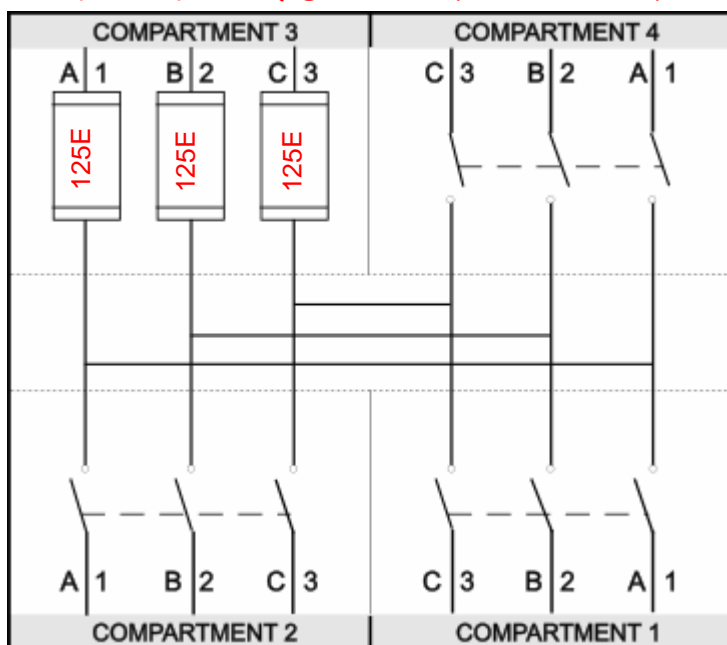
CLOSED

Switch #:

15062

Status:

CLOSED



TO:

CONDUCTOR

750 MCM WEST TO SC 313, COMP 4

750 MCM WEST TO SC 313, COMP 4

750 MCM WEST TO SC 313, COMP 4

1000 MCM EAST TO SC 186M, COMP 1

1000 MCM EAST TO SC 186M, COMP 1

1000 MCM EAST TO SC 186M, COMP 1

Fuse Holder Type:

SML 20

Spare Fuse Holder Installed:

NO

Fault Indicators Installed In Compartments:

2; 4



LOCATION

GLENN HIGHWAY AND BRAGAW ST.
(SW CORNER)

Grid Map Location No.: 1336 - 0603

Inspected by:

Install Date:

Install Work

Order ID:

E2314215

Feeder:

S15F2

PMH 9, 600A

SC 1251

Serial Number: _____

Revised Date: _____

Manufactured Date: _____

Revised WO/JO: _____

Notes:

SC EQUIPMENT
GROUNDING
HARDWARE INSTALLED
IN COMP 1.

DIRECTION
(Reference
to North)



CONDUCTOR TO:

4/0 CONC NORTH TO PM PM 9610

~~4/0 CONC NORTH TO T-8620~~

4/0 CONC NORTH TO PM PM 9610

~~4/0 CONC NORTH TO T-8620~~

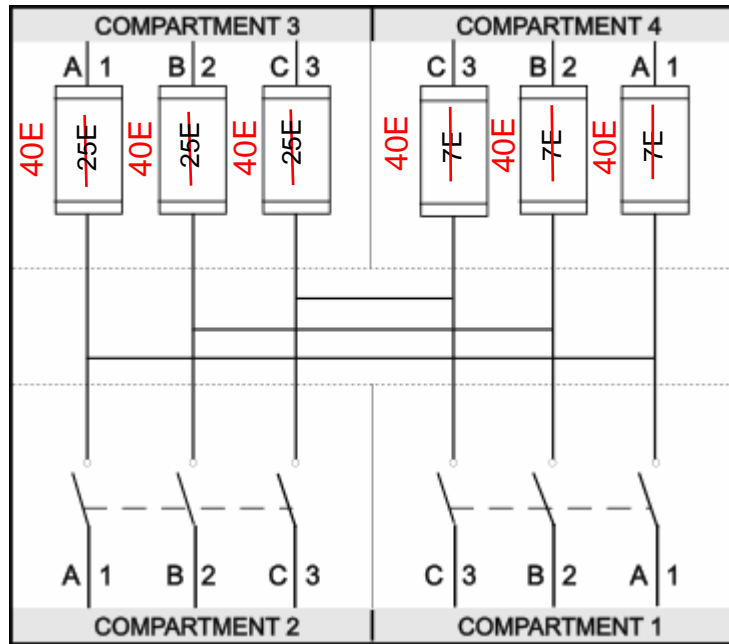
4/0 CONC NORTH TO PM PM 9610

~~4/0 CONC NORTH TO T-8620~~

1/0 CONC SOUTH TO T-3616

1/0 CONC SOUTH TO T-3616

1/0 CONC SOUTH TO T-3616



Switch #: 15145
Status: CLOSED

Switch #: 15144
Status: CLOSED

CONDUCTOR TO:

1000 MCM SHLD EAST TO
SC 143M, COMP 2

1000 MCM SHLD EAST TO
SC 143M, COMP 2

1000 MCM SHLD EAST TO
SC 143M, COMP 2

1000 MCM SHLD WEST TO SC
297M, COMP 4

1000 MCM SHLD WEST TO SC
297M, COMP 4

1000 MCM SHLD WEST TO SC
297M, COMP 4

Fault Indicators Installed In
Compartments:

2

Fuse Holder Type:

SML 20

Spare Fuse Holder
Installed:

NO



LOCATION

DEBARR ROAD & BRAGAW STREET
(NORTHWEST CORNER)

Inspected by: _____

Install Date: _____

Install Work

E2314215

Order ID: _____

Feeder: _____

S14F7

Grid Map Location No.: 1335 - 9604

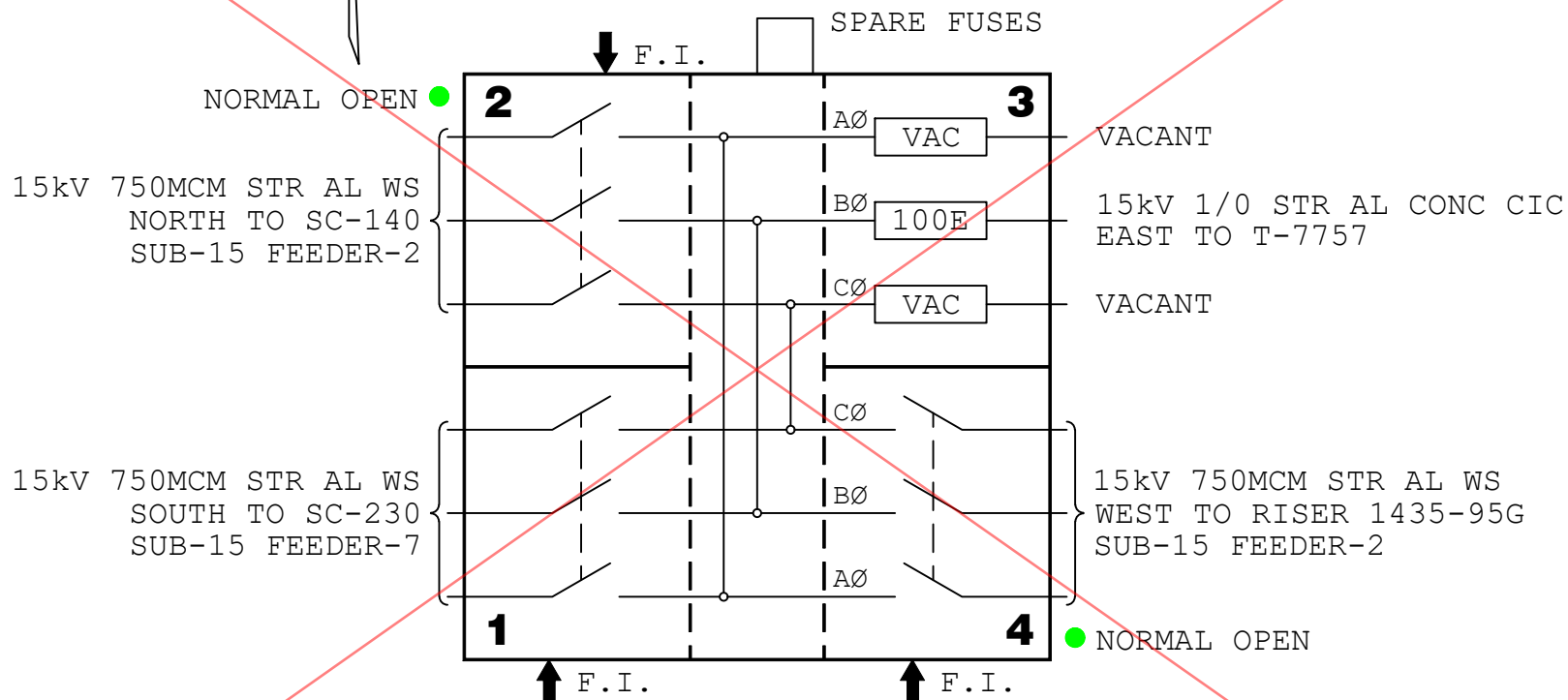
EAST 16th AVE & BRAGAW STREET
SOUTHEAST CORNER

SC-139
1436-15B

PMH-11
600 AMP



1/0 CONC B-PHASE CIRCUIT BETWEEN SC-230
AND T-6545 SPLICED THRU IN SC BASE.



**UPDATED SWITCH
CABINET SHEET**



EAST 16th AVE & BRAGAW STREET
SOUTHEAST CORNER

WS: 2933/6693/7455
WO: 0540/M10323
REVISION: REV-5A
DATE: 11/24/20
BY: N.ROBINSON

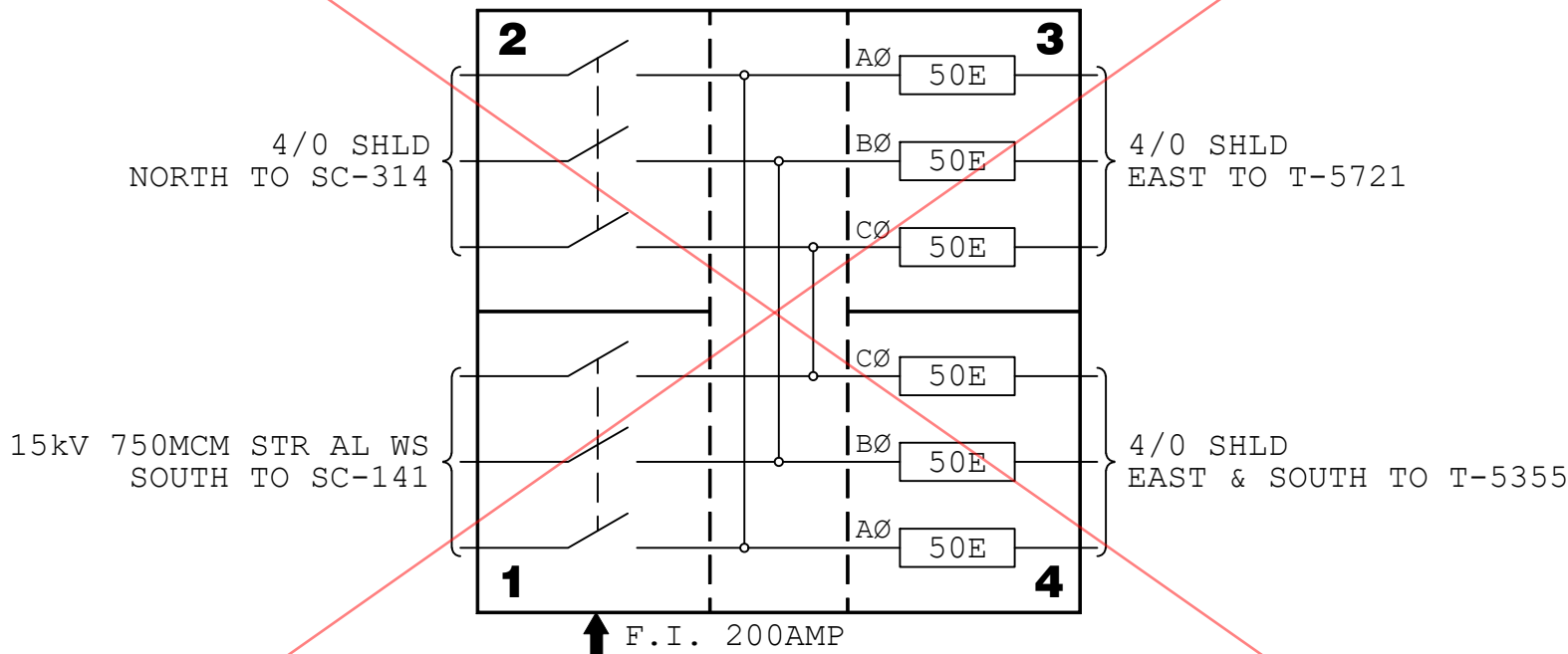
SC-139
1436-15B

DEBARR ROAD & BRAGAW STREET
(SOUTHEAST CORNER)

600 AMP
SMUA FUSES



FUSES REQUIRE LOAD-BUSTER TOOL



**UPDATED SWITCH
CABINET SHEET**

SC-142
1436-19B



DEBARR ROAD & BRAGAW STREET
(SOUTHEAST CORNER)

WS:	3933/6693/7098
WO:	0540/2344
REVISION:	REV-3
DATE:	7/19/17
BY:	MARK

SC-142
1436-19B

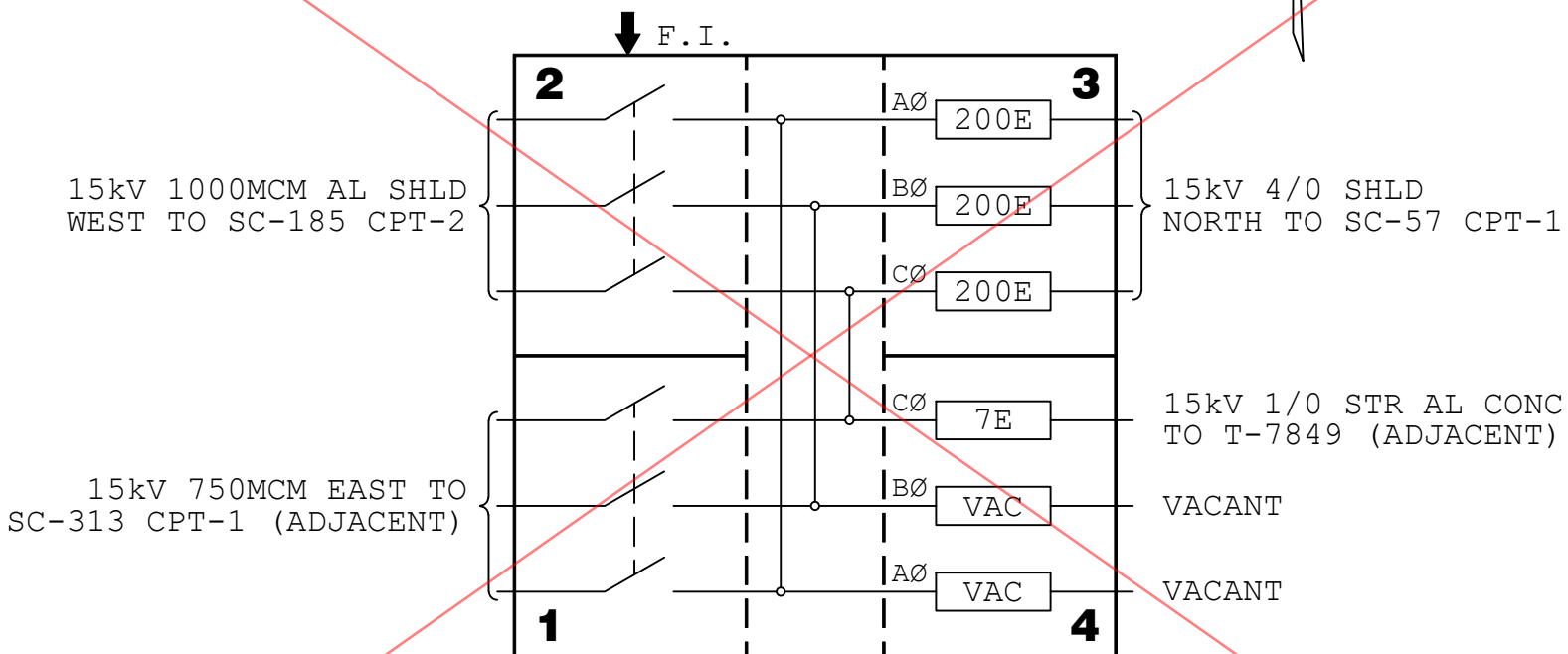
UPDATED SWITCH CABINET SHEET



600 AMP

DEBARR ROAD & BRAGAW STREET
(NORTHEAST CORNER)

SC-143
1336-11B



SPARE CIRCUIT (4/0 OR 1/0?)
TO SC-142 IN BASE?



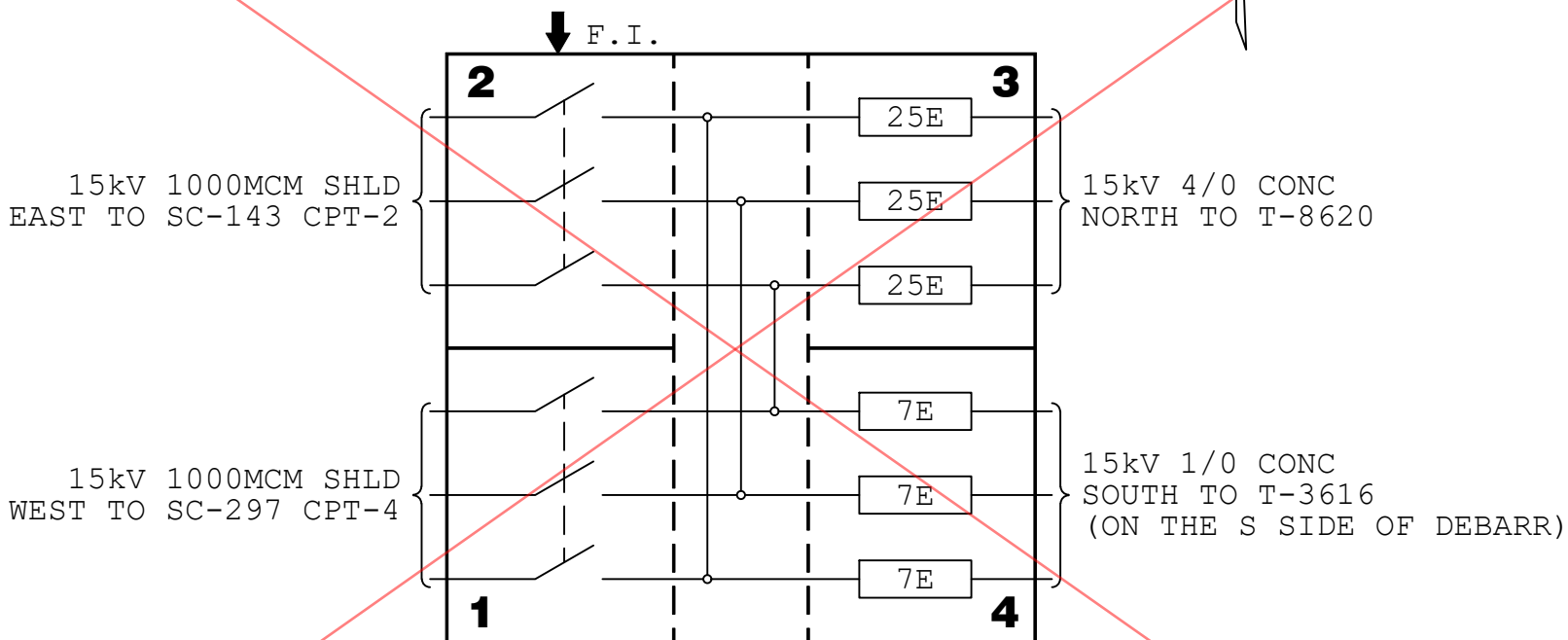
DEBARR ROAD & BRAGAW STREET
(NORTHEAST CORNER)

WS: 2933/6315/7020
 WO: 0782/2009
 REVISION: REV-3
 DATE: 6/22/5
 BY: MARK

SC-143
1336-11B

DEBARR ROAD & BRAGAW STREET
(NORTHWEST CORNER)

PMH-9
600 AMP
S&C EQUIPMENT
GROUNDING HARDWARE INSTALLED IN CPT-1



RETIRED

SC-185
1335-91B



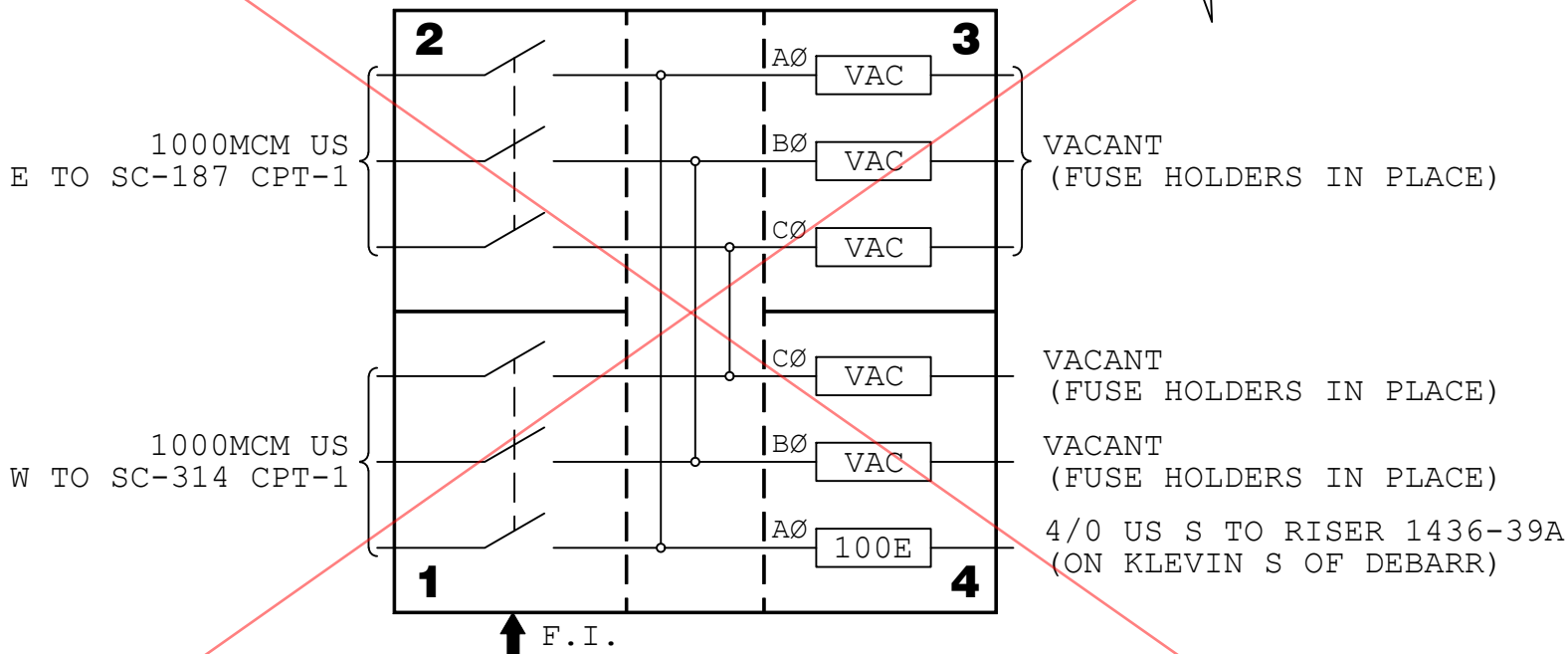
DEBARR ROAD & BRAGAW STREET
(NORTHWEST CORNER)

WS:	?
WO:	?
REVISION:	REV-1
DATE:	7/26/12
BY:	MARK

SC-185
1335-91B

DEBARR ROAD & KLEVIN STREET
(NORTHEAST CORNER)

PMH-9
600 AMP
S&C EQUIPMENT
GROUNDING BARS INSTALLED IN CPT-1 & CPT-2



**UPDATED SWITCH
CABINET SHEET**

SC-186
1336-31A



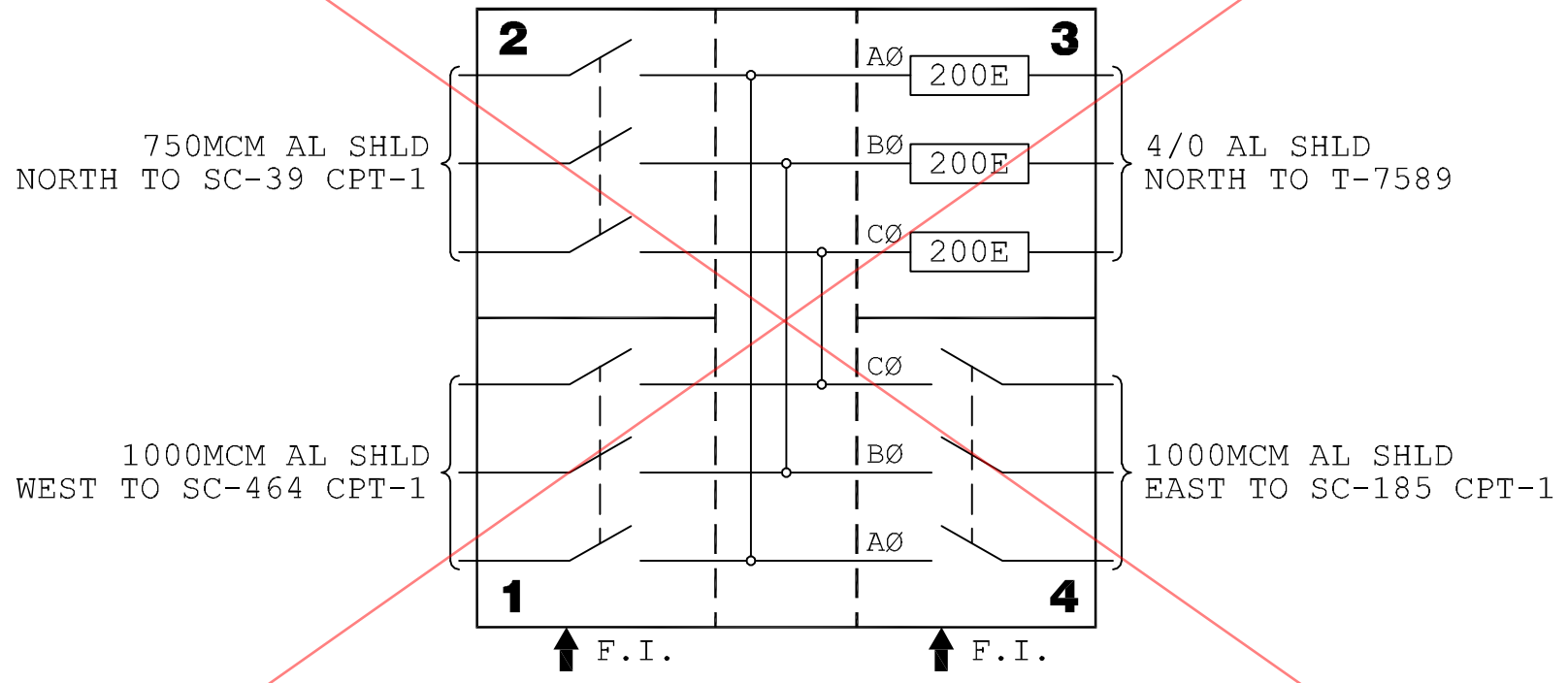
DEBARR ROAD & KLEVIN STREET
(NORTHEAST CORNER)

WS:	?
WO:	?
REVISION:	REV-0
DATE:	7/8/96
BY:	MARK

SC-186
1336-31A

DEBARR ROAD & NORTHWAY DRIVE
(NORTHEAST CORNER)

PMH-11
600 AMP
S&C EQUIPMENT
GROUNDING BARS INSTALLED
SMU-20 FUSES
SPARE FUSE CANNISTER INSTALLED, 200E FUSES



**UPDATED SWITCH
CABINET SHEET**

SC-297
1335-71A



DEBARR ROAD & NORTHWAY DRIVE
(NORTHEAST CORNER)

WS: 5544/7060/8792
WO: 0466/2127
REVISION: REV-2
DATE: 12/28/21
BY: U.OGANESYAN

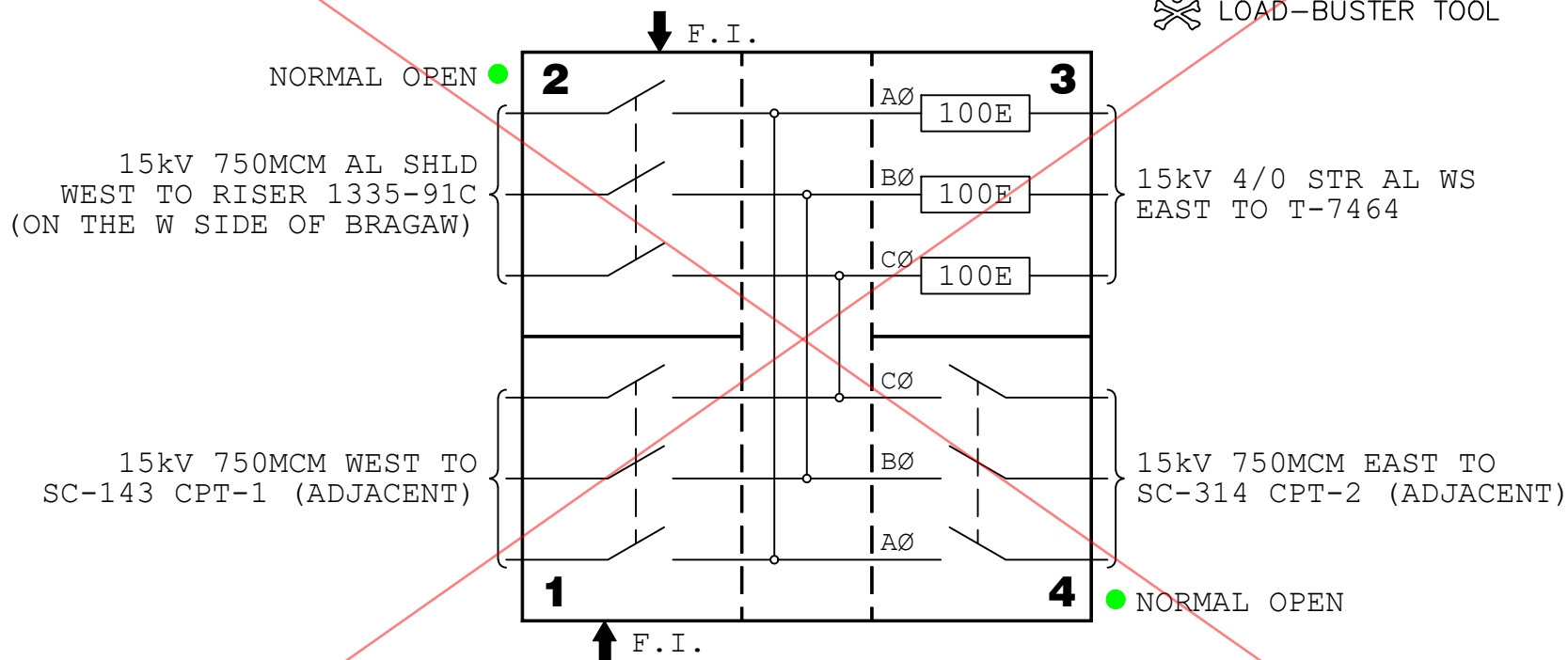
SC-297
1335-71A

E DEBARR ROAD & BRAGAW STREET
NORTHEAST CORNER

SC-313
1336-11E

PMH-11
600 AMP
S&C EQUIPMENT
GROUNDING BARS INSTALLED
SM-4 FUSES

 FUSES REQUIRE
LOAD-BUSTER TOOL



UPDATED SWITCH
CABINET SHEET



EAST DEBARR ROAD & BRAGAW STREET
NORTHEAST CORNER

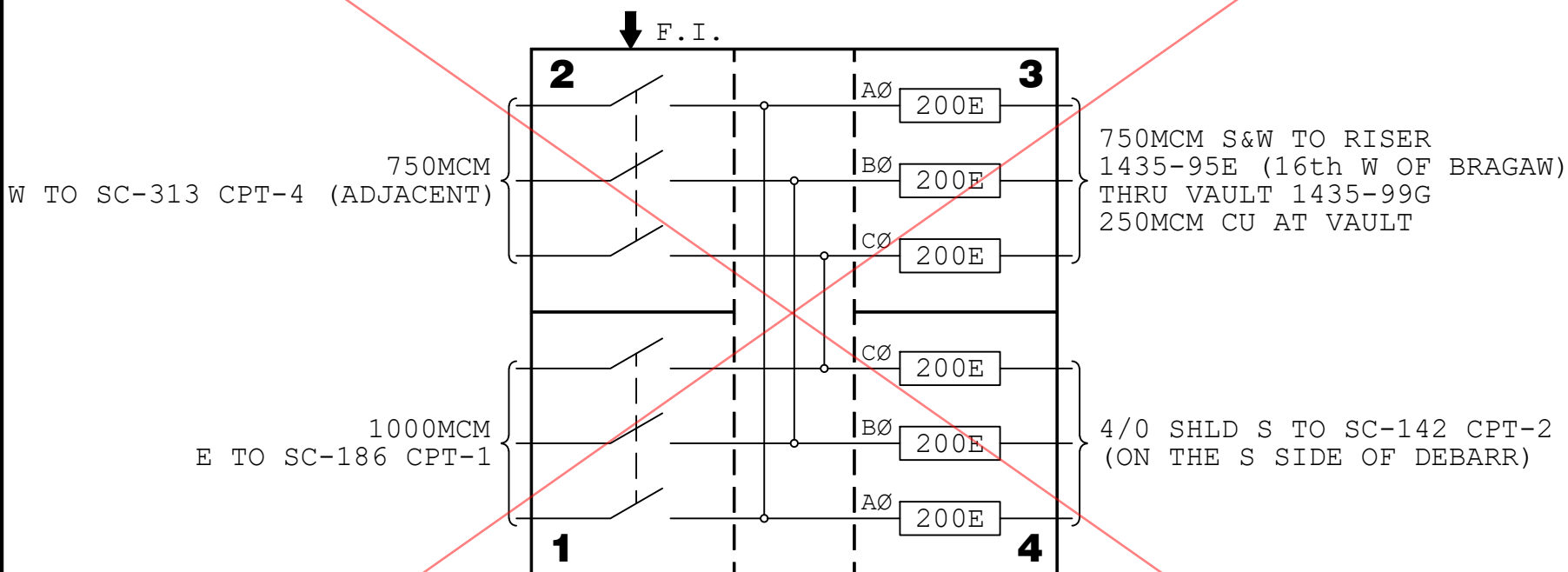
WS: 6513/6798/6868
WO: 0155/0464/1216
REVISION: REV-1C
DATE: 11/30/20
BY: N.ROBINSON

SC-313
1336-11E

E DEBARR ROAD & BRAGAW STREET
(NORTHEAST CORNER)

PMH-9
600 AMP
GROUNDING BARS INSTALLED
SMU-20 FUSES

750MCM CIRCUIT IN CPT-3 SPLICED
TO 350MCM AL IN VAULT 1435-99G.



RETIRED

SC-314
1336-11D



EAST DEBARR ROAD & BRAGAW STREET
(NORTHEAST CORNER)

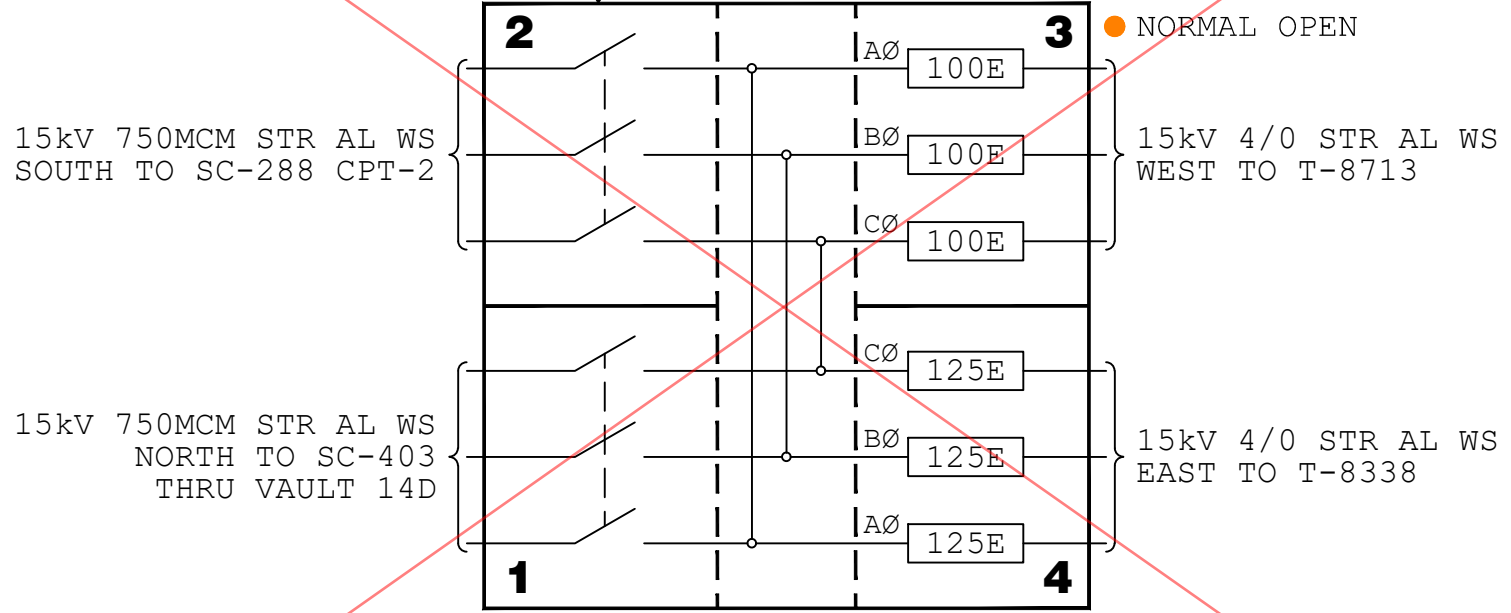
WS: 6513
WO: 0155
REVISION: REV-0A
DATE: 11/06/20
BY: N.ROBINSON

SC-314
1336-11D

EAST 4th AVENUE & BRAGAW STREET
SOUTHEAST CORNER

PMH-9
600 AMP

F.I.



ALL CIRCUITS PASS THRU VAULT UNDER CABINET.
UPDATED SWITCH CABINET SHEET

SC-359
1236-13K



EAST 4th AVENUE & BRAGAW STREET
SOUTHEAST CORNER

WS:7020/7234/7255/7784
WO: 2833/2861/M11496
REVISION: REV-3B
DATE: 04/25/24
BY: B.ARMAGOST

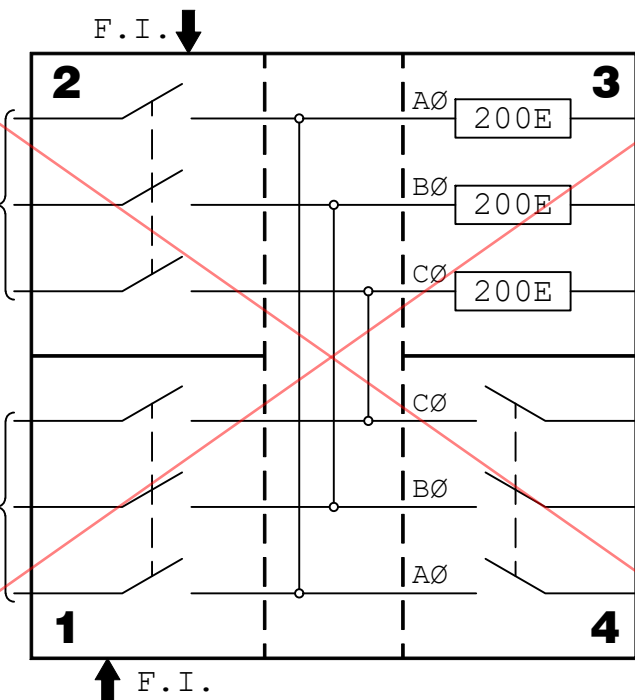
SC-359
1236-15K

GLENN HIGHWAY & BRAGAW
(SOUTHWEST CORNER)

600 AMP

15kV 750MCM STR AL WS
SOUTH TO RISER 1235-94G

15kV 750MCM STR AL WS
EAST TO SC-403



15kV 4/0 STR AL WS
EAST & NORTH TO
RISER 1236-15C

15kV 750MCM STR AL WS
NORTH TO SC-400

**UPDATED SWITCH
CABINET SHEET**

SC-401
1235-95B



GLENN HIGHWAY & BRAGAW
(SOUTHWEST CORNER)

WS:	7234/7224
WO:	2833/2797
REVISION:	REV-2
DATE:	7/17/17
BY:	MARK

SC-401
1235-95B

MATERIAL ISSUE TICKET

Project : E2314215

15KV: DBSS ANC. SUB. OH/UG PH1

In Design

Work Request: E2314215

Design : DBSS 12.5kV

Capital Account: 10720/000/03/7665
 Reimbursible Account: / / /
 Retirement Account: 10880/326/03/7665

Description	Part Number	Quantity Orderd	Issued
Inventory			
ARRESTER, SURGE 09KV	000000103	3	_____
DEAD-END, TEE 3/4"	000000156	4	_____
BOLT, DA (5) 7/8X36	000000230	1	_____
POLE, BRACE CROSSARM 28" WOOD	000000314	3	_____
FASTENER, BRACKET CONDUIT STANDOFF	000000322	3	_____
FASTENER, BRACKET CONDUIT STANDOFF W/BRACE	000000323	1	_____
WIRE, AL JCN 15KV #4/0	000000343	4,123	_____
WIRE, AL JCN 15KV 750MCM EPR	000000346	21,609	_____
WIRE, AL XLP 600V 1C 500MCM (EMORY)	000000365	101	_____
WIRE, AL URD SERVICE 500 350 500 (RIDER)	000000370	101	_____
WIRE, CU SDB #0006 SOL	000000374	85	_____
WIRE, CU SDB #02 STR	000000376	75	_____
WIRE, CU SDB #4/0 STR (19 STR.)	000000378	410	_____
DEAD-END, AUTO 12.5M/16M ALUMOWELD (7#87#9)	000000817	2	_____
DEAD-END, DE AUTO CLEVIS ACSR #02 & #04	000000823	2	_____
DEAD-END, PREFORM 16M ALUMOWELD (7#8)	000000874	4	_____
CLEVIS, THIMBLE 5/8" 20K	000000953	4	_____
CONNECTOR, CONNECTOR,SC EQUIPMENT GROUND,4/0 AWG	000001451	25	_____
LUG, COMP LUG AL 2H #4/0	000001513	21	_____
LUG, COMP LUG AL 2H 750	000001515	39	_____
FASTENER, CLAMP GROUND ROD 3/4"	000001532	2	_____
FASTENER, CLAMP, GROUND ROD, 4/0 AWG	000001533	12	_____
LINE, CONN HOTLINE 477-6 ACSR	000001542	1	_____
LINE, WEDGE STIRRUP SHEAR-BOLT #006-#04	000001553	1	_____
CONNECTOR, UG CONN BLOCK XFMR NEUT 05/8" STUD SET SCREW	000001592	1	_____
CONNECTOR, UG CONN BLOCK XFMR SEC 6 POS SET SCREW	000001601	3	_____
POLE, CROSSARM DIST 08' 3 5/8" X 4 5/8"	000001616	4	_____
SWITCH, CUTOUT 07.8/13.8KV 100A LB	000001629	1	_____
FUSE, CUTOUT BUTTON 010T	000001641	3	_____
FUSE, S&C 14.4 SMU-20 125E	000001705	6	_____
FUSE, S&C 14.4 SMU-20 040E	000001707	18	_____
FUSE, S&C END FITTING SML-20	000001709	21	_____
CABINET, SWITCH PMH-09 (600A) 15KV	000002421	4	_____
CABINET, SWITCH PMH-11 (600A) 15KV	000002423	2	_____
GUY, GUARD PLASTIC	000002750	2	_____
DEAD-END, DE INSUL EPOX 08/15KV	000003328	1	_____
PAD, CONC. SUM1-B 3 PHASE 75-750KVA	000003743	1	_____
PAD, CONC. SUM1-F 600A SW CABINET 15KV	000003746	7	_____
POLE, 035 CLASS 5	000003863	1	_____
ANCHOR, ROD TW EYE 03/4" X 8'	000004050	2	_____
LINE, GROUND ROD 3/4" X 8'	000004067	14	_____
CONDUIT, GRC 4"	000004151	22	_____
CONDUIT, PVC 4"	000004158	20	_____
CONDUIT, PVC 6"	000004160	154	_____
CONDUIT, HDPE 2"	000004161	138	_____
CONDUIT, GRC EL 90 DEG 4" 24" RADI	000004167	2	_____

Control Number _____

Legal Description _____

Charge for Materials Yes ___ No ___ Sale ___

P.O. No. _____

Issued By _____ Received By _____

Date ___/___/___

Contractor _____

Special Notes:

MATERIAL ISSUE TICKET

Project : E2314215

15KV: DBSS ANC. SUB. OH/UG PH1

In Design

Work Request: E2314215

Design : DBSS 12.5kV

Capital Account: 10720/000/03/7665
 Reimbursible Account: / / /
 Retirement Account: 10880/326/03/7665

Description	Part Number	Quantity Orderd	Issued
CONDUIT, FG EL 90 DEG 4" 36" RADI	0000004168	5	_____
CONDUIT, FG EL 90 DEGREE 4" 48" RADI	0000004169	4	_____
CONDUIT, FG EL 90 DEGREE 4" 60" RADI	0000004170	1	_____
CONDUIT, GRC EL 90 DEG 6" 48" RADI	0000004172	4	_____
CONDUIT, FG EL 90 DEG 6" 60" RADI	0000004173	8	_____
CONDUIT, PVC EL 90 DEG 4" 24" RADI	0000004178	2	_____
CONDUIT, FG EL 45 DEGREE 4" 48" RADI	0000004183	8	_____
CONDUIT, FG EL 45 DEG 6" 60" RADI	0000004185	27	_____
PAD, CONC. GUARD POST 9'	0000004186	6	_____
CONDUIT, CHANNEL PIPE STRAP 4"	0000004241	6	_____
KIT, PRIMARY SPLICE 15KV 750MCM JCN	0000004513	15	_____
LINE, BRACKET CABLE SUPPORT	0000004646	45	_____
SWITCH, CUTOUT 07.8/13.8KV 300A BLADE ONLY SOLID	0000004732	3	_____
KIT, PRIMARY TERM 15KV 3/0-350MCM JCN	0000004772	21	_____
KIT, PRIMARY TERM 15KV 750MCM JCN	0000004773	39	_____
UG ACCES 08/15KV ELBOW TERM #4/0 LB W/ADAPTER	0000004787	15	_____
BUSHING, UG ACCES 08/15KV INSERT BSHG CAP	0000004793	3	_____
TRANSFORMER, 0150 KVA PM 3/PH 07.2/12.4 120/208	0000004927	1	_____
GUY, WIRE GUY 16M ALUMOWELD (7#8)	0000005157	201	_____
BUSHING, UG ACCES 08/15KV PARKING STAND	0000005227	6	_____
SHRINK, CABLE SEALER COLD SHRINK 2/0-1000 MCM	0000011586	15	_____
CONDUIT, HDPE 4"	0000011877	1,177	_____
CONDUIT, HDPE 6"	0000011888	11,726	_____
CONDUIT, PVC EL 45 DEG 4" 48" RADI	0000012007	2	_____
WIRE, CU, COVERED TAP, #2	0000012097	15	_____
CONDUIT, PLUG, BLANK, 4"	0000012319	1	_____
CONDUIT, PLUG, TRIPLEX (4/0 15KV CONC), 4" DUCT	0000012322	1	_____
LINE, UG INDICATOR FAULT CURRENT RESET 600A TRIP (350-750 KCMIL)	0000013367	6	_____
ANCHOR, CROSSPLATE 24", 5/8"-3/4" ROD	0000014008	2	_____
CONDUIT, FG EL 30 DEG 4" 48" RADIUS	0000014433	4	_____
KIT, PRIMARY TERM 35KV 1000 MCM, SHLD, CU, 420MIL HEATSHRINK	0000014507	3	_____
CONDUIT, FG EL 30 DEG 6" 60" RADI	0000015050	16	_____
PAD, CONC. GUARD POST COVER	0000015824	6	_____
Cable Rack, Stanchion, Underground Devices CR12-B	0000017446	58	_____
Cable Rack, 8", Underground Devices RA08	0000017447	58	_____
Pull Vault, Top Section, UV 675-TL-2-332P ((3,300 lbs.)	0000017448	1	_____
Pull Vault, Middle Section, UV 675-MLW (6,250 lbs.)	0000017449	1	_____
Pull Vault, Base, UV 675-BL (3,680 lbs.)	0000017450	1	_____
Concrete Anchor, 303 stainless steel, 1/2-13	0000017451	58	_____
Washer, 1-1/4 round, flat, 9/16" hole, 316 stainless	0000017452	58	_____
Bolt, Cap Screw, 1/2"-13 x 1-3/8, 316 stainless steel	0000017453	58	_____
Pull Vault, manhole cover, UV 57-CLX-42C (1350 lbs.)	0000017590	1	_____
Pull Vault, riser, UV 814-48R-UFER (1380 lbs.)	0000017591	2	_____
Pull Vault, base, UV 814-SB-UFER (18000 lbs.)	0000017592	1	_____
Pull Vault, top section, UV 814-TEE-CLS (7060 lbs.)	0000017593	1	_____
Pull Vault, cover, UV 57-CLX-42S (2300 lbs)	0000017594	1	_____
Pull Vault, 6 Riser UV 4206	0000017595	1	_____

Control Number _____

Legal Description _____

Charge for Materials Yes ___ No ___ Sale ___

P.O. No. _____

Issued By _____ Received By _____

Date ___/___/___

Contractor _____

Special Notes:

MATERIAL ISSUE TICKET

Project : E2314215

15KV: DBSS ANC. SUB. OH/UG PH1

In Design

Work Request: E2314215

Design : DBSS 12.5kV

Capital Account: 10720/000/03/7665
Reimbursible Account: / / /
Retirement Account: 10880/326/03/7665

Table with 4 columns: Description, Part Number, Quantity Orderd, Issued. Rows include Frame Vault, manhole, UV 4240-HD (680 lbs.), Cover, manhole, UV 4220-S (600 lbs.), Pull Vault, 4 Riser UV 4204, CONDUIT, FG 4", Non-Inventory items like BLUE & GREEN CEA DECAL NON INV, CONN COMP H TAP SIZE AS REQ, PADLOCKS, WEDGE ANCHOR .5 X 2.75 NON-INV.

Remarks:

Control Number _____

Legal Description _____

Charge for Materials Yes ___ No ___ Sale ___

P.O. No. _____

Issued By _____ Received By _____

Date ____/____/____

Contractor _____

Special Notes:

From: peoplesoft@chugachelectric.com
To: [Marshall Elliott](#)
Cc: [Warehouse Order Notification](#)
Subject: SOUTH District / INOAC, ArcFM Designer Order Submitted: DSN11042_6
Date: Wednesday, March 12, 2025 10:49:49 AM

SOUTH District / INOAC, Order DSN11042_6 submitted on 12-MAR-25 by MARSHALLE.

Account: 10720-000-03-7665

Project: E2314215-GENERAL

Number of Lines: 97

[Open Order in PeopleSoft](#)

Order	Line	Item	Qty	UOM	Descr
DSN11042_6	1	0000000103	3	EA	ARRESTER, SURGE 09KV
DSN11042_6	2	0000000156	4	EA	DEAD-END, TEE 3/4"
DSN11042_6	3	0000000230	1	EA	BOLT, DA (5) 7/8"X36"
DSN11042_6	4	0000000314	3	EA	POLE, BRACE CROSSARM 28" WOOD
DSN11042_6	5	0000000322	3	EA	FASTENER, BRACKET CONDUIT STANDOFF
DSN11042_6	6	0000000323	1	EA	FASTENER, BRACKET CONDUIT STANDOFF W/BRACE
DSN11042_6	7	0000000343	4123	EA	WIRE, AL JCN 15KV #4/0
DSN11042_6	8	0000000346	21609	EA	WIRE, AL JCN 15KV 750MCM EPR
DSN11042_6	9	0000000365	101	EA	WIRE, AL XLP 600V 1C 500MCM (EMORY)
DSN11042_6	10	0000000370	101	EA	WIRE, AL URD SERVICE 500 350 500 (RIDER)
DSN11042_6	11	0000000374	85	EA	WIRE, CU SDB #0006 SOL
DSN11042_6	12	0000000376	75	EA	WIRE, CU SDB #02 STR
DSN11042_6	13	0000000378	410	EA	WIRE, CU SDB #4/0 STR (19 STR.)
DSN11042_6	14	0000000817	2	EA	DEAD-END, AUTO 12.5M/16M ALUMOWELD (7#87#9)
DSN11042_6	15	0000000823	2	EA	DEAD-END, DE AUTO CLEVIS ACSR #02 & #04
DSN11042_6	16	0000000874	4	EA	DEAD-END, PREFORM 16M ALUMOWELD (7#8)
DSN11042_6	17	0000000953	4	EA	CLEVIS, THIMBLE 5/8" 20K
DSN11042_6	18	0000001451	25	EA	CONNECTOR,SC EQUIPMENT GROUND,4/0 AWG
DSN11042_6	19	0000001513	21	EA	LUG, COMP LUG AL 2H #4/0
DSN11042_6	20	0000001515	39	EA	LUG, COMP LUG AL 2H 750
DSN11042_6	21	0000001532	2	EA	FASTENER, CLAMP GROUND ROD 3/4"

DSN11042_6 22	0000001533	12	EA	FASTENER, CLAMP, GROUND ROD, 4/0 AWG
DSN11042_6 23	0000001542	1	EA	LINE, CONN HOTLINE, MEDIUM, 400-6 ACSR
DSN11042_6 24	0000001553	1	EA	LINE, WEDGE STIRRUP SHEAR-BOLT #006-#04
DSN11042_6 25	0000001592	1	EA	CONNECTOR, UG CONN BLOCK XFMR NEUT 05/8" STUD SET
DSN11042_6 26	0000001601	3	EA	CONNECTOR, UG CONN BLOCK XFMR SEC 6 POS SET SCREW
DSN11042_6 27	0000001616	4	EA	POLE, CROSSARM DIST 08' 3 5/8" X 4 5/8"
DSN11042_6 28	0000001629	1	EA	SWITCH, CUTOFF 07.8/13.8KV 100A LB
DSN11042_6 29	0000001641	3	EA	FUSE, CUTOFF BUTTON 010T
DSN11042_6 30	0000001705	6	EA	FUSE, S&C 14.4 SMU-20 125E
DSN11042_6 31	0000001707	18	EA	FUSE, S&C 14.4 SMU-20 040E
DSN11042_6 32	0000001709	21	EA	FUSE, S&C END FITTING SML-20
DSN11042_6 33	0000002421	4	EA	CABINET, SWITCH PMH-09 (600A) 15KV
DSN11042_6 34	0000002423	2	EA	CABINET, SWITCH PMH-11 (600A) 15KV
DSN11042_6 35	0000002750	2	EA	GUY, GUARD PLASTIC
DSN11042_6 36	0000003328	1	EA	DEAD-END, DE INSUL EPOX 08/15KV
DSN11042_6 37	0000003743	1	EA	PAD, CONC. SUM1-B 3 PHASE 75-750KVA
DSN11042_6 38	0000003746	7	EA	PAD, CONC. SUM1-F 600A SW CABINET 15KV
DSN11042_6 39	0000003863	1	EA	POLE, 035 CLASS 5
DSN11042_6 40	0000004050	2	EA	ANCHOR, ROD TW EYE 03/4" X 8'
DSN11042_6 41	0000004067	14	EA	LINE, GROUND ROD 3/4" X 8'
DSN11042_6 42	0000004151	22	EA	CONDUIT, GRC 4"
DSN11042_6 43	0000004158	20	EA	CONDUIT, PVC 4"
DSN11042_6 44	0000004160	154	EA	CONDUIT, PVC 6"
DSN11042_6 45	0000004161	138	EA	CONDUIT, HDPE 2"
DSN11042_6 46	0000004167	2	EA	CONDUIT, FIBERGLASS EL 90 DEG 4" 24" RADI
DSN11042_6 47	0000004168	5	EA	CONDUIT, FIBERGLASS ELBOW 90 DEG 4" 36" RADIUS
DSN11042_6 48	0000004169	4	EA	CONDUIT, FIBERGLASS ELBOW 90 DEGREE 4" 48" RADIUS
DSN11042_6 49	0000004170	1	EA	CONDUIT, FIBERGLASS ELBOW 90

				DEGREE 4" 60" RADIUS
DSN11042_6 50	0000004172	4	EA	CONDUIT, FIBERGLASS ELBOW 90 DEGREE 6" 48" RADIUS
DSN11042_6 51	0000004173	8	EA	CONDUIT, FIBERGLASS ELBOW 90 DEG 6" 60" RADIUS
DSN11042_6 52	0000004178	2	EA	CONDUIT, PVC EL 90 DEG 4" 24" RADI
DSN11042_6 53	0000004183	8	EA	CONDUIT, FIBERGLASS ELBOW 45 DEGREE 4" 48" RADIUS
DSN11042_6 54	0000004185	27	EA	CONDUIT, FIBERGLASS ELBOW 45 DEG 6" 60" RADI
DSN11042_6 55	0000004186	6	EA	PAD, CONC. GUARD POST 9'
DSN11042_6 56	0000004241	6	EA	CONDUIT, CHANNEL PIPE STRAP 4"
DSN11042_6 57	0000004513	15	EA	KIT, PRIMARY SPLICE 15KV 750MCM JCN
DSN11042_6 58	0000004646	45	EA	LINE, BRACKET CABLE SUPPORT P/N CS820
DSN11042_6 59	0000004732	3	EA	SWITCH, CUTOUT 07.8/13.8KV 300A BLADE ONLY SOLID
DSN11042_6 60	0000004772	21	EA	KIT, PRIMARY TERM 15KV 3/0- 350MCM JCN
DSN11042_6 61	0000004773	39	EA	KIT, PRIMARY TERM 15KV 750MCM JCN
DSN11042_6 62	0000004787	15	EA	ELBOW, UG ACCES 08/15KV ELBOW TERM #4/0 LB W/ADAPT
DSN11042_6 63	0000004793	3	EA	BUSHING, UG ACCES 08/15KV INSERT BSHG CAP
DSN11042_6 64	0000004927	1	EA	TRANSFORMER, 0150 KVA PM 3/PH 07.2/12.4 120/208
DSN11042_6 65	0000005157	201	EA	GUY, WIRE GUY 16M ALUMOWELD (7#8)
DSN11042_6 66	0000005227	6	EA	BUSHING, UG ACCES 08/15KV PARKING STAND
DSN11042_6 67	0000011586	15	EA	SHRINK, CABLE SEALER COLD SHRINK 2/0-1000 MCM
DSN11042_6 68	0000011877	1177	EA	CONDUIT, HDPE 4" (40 FT STICK)
DSN11042_6 69	0000011888	11726	EA	CONDUIT, HDPE 6" (40 FT STICK)
DSN11042_6 70	0000012007	2	EA	CONDUIT, PVC EL 45 DEG 4" 48" RADI
DSN11042_6 71	0000012097	15	EA	WIRE, CU, COVERED TAP, #2
DSN11042_6 72	0000012319	1	EA	CONDUIT, PLUG, BLANK, 4"
DSN11042_6 73	0000012322	1	EA	CONDUIT, PLUG, TRIPLEX (4/0 15KV CONC), 4" DUCT LINE, UG INDICATOR FAULT

DSN11042_6 74	0000013367	6	EA	CURRENT RESET 600A TRIP (
DSN11042_6 75	0000014008	2	EA	ANCHOR, CROSSPLATE 24",5/8"-3/4" ROD
DSN11042_6 76	0000014433	4	EA	CONDUIT, FIBERGLASS ELBOW 30 DEG 4" 48" RADIUS
DSN11042_6 77	0000014507	3	EA	KIT, PRIMARY TERM 35KV 1000 MCM, SHLD, CU, 420MIL
DSN11042_6 78	0000015050	16	EA	CONDUIT, FIBERGLASS ELBOW 30 DEG 6" 60" RADI
DSN11042_6 79	0000015824	6	EA	PAD, CONC. GUARD POST COVER
DSN11042_6 80	0000017446	58	EA	FIBERGLASS CABLE SUPPORT STANCHION
DSN11042_6 81	0000017447	58	EA	FIBERGLASS CABLE SUPPORT ARMS
DSN11042_6 82	0000017448	1	EA	CONCRETE PULL BOX 675 COVER, HINGED DOOR STYLE, 3-
DSN11042_6 83	0000017449	1	EA	CONCRETE PULL BOX 675, VAULT, 3-PHASE FEEDER"H" VA
DSN11042_6 84	0000017450	1	EA	CONCRETE PULL BOX 675, BASE 3-PHASE
DSN11042_6 85	0000017451	58	EA	CONCRETE ANCHOR 1/2" "STAINLESS STEEL"
DSN11042_6 86	0000017452	58	EA	WASHER, CONCRETE ANCHOR 1/2" STAINLESS STEEL FLAT
DSN11042_6 87	0000017453	58	EA	BOLT, CONCRETE ANCHOR 1/2"
DSN11042_6 88	0000017590	1	EA	VAULT COVER, 814 MANHOLE COVER CENTER HOLE
DSN11042_6 89	0000017591	2	EA	VAULT CONCRETE, 814LA-48-UFER, CENTER, 4' SUBTRANS
DSN11042_6 90	0000017592	1	EA	VAULT CONCRETE, 814 BASE- UFER, SUBTRANSMISSION
DSN11042_6 91	0000017593	1	EA	VAULT CONCRETE, 814 "TEE" TOP
DSN11042_6 92	0000017594	1	EA	VAULT COVER, 814 MANHOLE COVER OFFSET HOLE
DSN11042_6 93	0000017595	1	EA	VAULT CONCRETE, RISER 6-INCH PULL VAULT 810/814
DSN11042_6 94	0000017596	1	EA	VAULT COVER IRON MANHOLE FRAME, 42-INCH OD, 810/81
DSN11042_6 95	0000017597	1	EA	VAULT MANHOLE COVER, 42-INCH OD IRON, 810/814
DSN11042_6 96	0000017712	1	EA	VAULT CONCRETE, RISER 4-INCH PULL VAULT 810/814
DSN11042_6 97	0000019879	20	EA	CONDUIT, FIBERGLASS 4" 10'