

**In Design**

**BIDSHEET**

for

**PROJECT : E2314213**

**AERO ACRES**

**Work Request:** E2314213  
**Design No.:** AERO ACRES SUBD OH/UG  
**Capital Account:** 10720/000/03/7665  
**Reimbursible Account:** / / /  
**Retirement Account:** 10880/326/03/7665  
**Work Plan No:**  
**Project Type:** System Improvements

Reviewed by Designer/Project Engineer: \_\_\_\_\_ Date: 05/19/26

Reviewed by Supervisor/Manager: \_\_\_\_\_ Date: 5/19/26  
*Joshua Shafer*  
*Jake Moo*  
 Supervisor

**Remarks:**

**In Design**

**Project: E2314213**  
**AERO ACRES**

Contractor: \_\_\_\_\_

Assembly Unit	Proposed Quantity	Actual Quantity	Labor	Material	Labor & Material	Extended Labor & Material
1/0 CONC	4.980					
2 RIBB Service	1.098					
2/0 RIBB Service	0.967					
4/0 CONC	1.068					
4/0 RIBB	2.052					
6/2 UF	0.440					
BORE	4.235					
RAISE PAD	1.000					
RandR FENCE	1.000					
SHUR2-3	0.094					
SHUR2-5	0.144					
SIDEWALK	1.000					
SL5AL	2.000					
SM52-3	3.000					
SR1-8	1.000					
STAG-1	1.000					
STAG-2	6.000					
SUG7-25	6.000					
SUG7-50	1.000					
SUK5	14.000					
SUK7-LH	9.000					
SUK7-RH	8.000					
SUM1	7.000					
SUM12C	2.000					
SUM1C	1.000					
SUM1-CD	1.000					
SUM1F	1.000					
SUM1-GPA	1.000					
SUM3-9	1.000					
SUM3A	1.000					
SUM5011.5H	0.097					

Total Extended Labor & Material This Page \_\_\_\_\_  
 Total Extended Labor & Material Previous Page \_\_\_\_\_  
 Total Extended Labor & Material \_\_\_\_\_

**In Design**

**Project: E2314213  
AERO ACRES**

Contractor: \_\_\_\_\_

Assembly Unit	Proposed Quantity	Actual Quantity	Labor	Material	Labor & Material	Extended Labor & Material
SUM5012H	5.559					
SUM5022H	3.820					
SUM5024H	1.432					
SUM5026H	0.200					
SUM6-10	4.000					
SUM6-15	3.000					
SUM6-1A 1 PH	1.000					
SUM6-1C 1 PH	15.000					
SUM6-25C 1 PH	4.000					
SUM6-25D 3 PH	3.000					
SUM6-28C 1 PH	1.000					
SUM6-32	39.000					
SUM6-36A	7.000					
SUME290P2	4.000					
SUME290S3	62.000					
SUME445F4	6.000					
SUME490F5	6.000					
SUME645F5	2.000					
SUR2-3	2.373					
SUR2-5	0.120					
SURCG	0.014					
SURL	1.000					
Survey	1.000					
SWPPP-BP	1.000					
Traffic Control	1.000					
XSUM8	20.000					
* 2 TPX Secondary	0.352					
* 2 TPX Service	1.657					
* 4 ACSR 1 PH	0.385					
* 4 ACSR Neutral	0.385					
* 4/0 RIBB	0.016					

Total Extended Labor & Material This Page \_\_\_\_\_  
 Total Extended Labor & Material Previous Page \_\_\_\_\_  
 Total Extended Labor & Material \_\_\_\_\_

**In Design**

**Project: E2314213**  
**AERO ACRES**

Contractor: \_\_\_\_\_

Assembly Unit	Proposed Quantity	Actual Quantity	Labor	Material	Labor & Material	Extended Labor & Material
* 4/0 RIBB Service	0.012					
* 6 DPX	0.312					
* 6A CWC 1 PH	1.714					
* 6A CWC 3 PH	0.894					
* 6A CWC Neutral	2.608					
* A7	6.000					
* A8	1.000					
* A9-1	8.000					
* C7	1.000					
* C7-1	1.000					
* C9	1.000					
* C9-1	1.000					
* J10	4.000					
* J11	9.000					
* K11C	4.000					
* K15C	1.000					
* M5-5	11.000					
* POLE40/2	5.000					
* POLE40/4	12.000					
* POLE45/1	3.000					
* POLE45/3	2.000					
* SC7-1	2.000					
* SE1-3	7.000					
* SE1-5	2.000					
* SE2-3 Material	4.000					
* SF4P	8.000					
* SF4PL	1.000					
* SG10-25	1.000					
* SG10-75	2.000					
* SG39-25	1.000					
* SG9-15	1.000					

Total Extended Labor & Material This Page \_\_\_\_\_  
 Total Extended Labor & Material Previous Page \_\_\_\_\_  
 Total Extended Labor & Material \_\_\_\_\_

**In Design**

**Project: E2314213**  
**AERO ACRES**

Contractor: \_\_\_\_\_

Assembly Unit	Proposed Quantity	Actual Quantity	Labor	Material	Labor & Material	Extended Labor & Material
* SG9-25	6.000					
* SG9-50	1.000					
* SK16	4.000					
* SL5-AAL	3.000					
* SM5-9A	3.000					
* SM5-9B	2.000					
* SM5-9B 3 PH	2.000					
* STAG-1	1.000					
* STAG-2	4.000					
* SUA4	1.000					
* SUC1	2.000					
* SUG6-50	1.000					
* SUK5	10.000					
* SUK5A	2.000					
* SUM5	9.000					
* SUM5012P	0.006					
* SUM5A	2.000					
* SUM6-10	1.000					
* SUM6-15	1.000					
* SUM6-25A 1 PH	1.000					
* SUM6-25C 1 PH	1.000					
* SUM6-25D 3 PH	3.000					
* 1/0 CONC	0.095					
* 2 CONC 1 PH	0.095					
* 2 RIBB Service	0.240					
* 350 RIBB	0.023					
* 4/0 CONC	0.153					
* 4/0 RIBB	0.408					
* SUM5012H	0.022					

Total Extended Labor & Material This Page \_\_\_\_\_  
 Total Extended Labor & Material Previous Page \_\_\_\_\_  
 Total Extended Labor & Material \_\_\_\_\_

CHUGACH ELECTRIC ASSOCIATION, INC.  
Anchorage, Alaska

**RIGHT-OF-WAY REPORT**

WORK ORDER NO. E2314213

DATE: May 20, 2026

SUBJECT: Aero Acres Subdivision, Blocks 1 and Blocks 3 to 6  
OH to UG  
W.O. E2314213/RW23325/AMS # 331318  
Grid 1726, Map Book 130426C

**An "X" in the enclosed parenthesis below indicates the listed requirement has been obtained; the enclosed parenthesis without an "X" indicates the listed requirement has not been obtained as of the date of this report.**

Easement Rights:

- 1. Dedicated by Plats P-378 and 2011-18.
- 2. CEA Specific Easement acquired and recorded at Doc. No. 2026-013149-0.

Permits:

- 1. New MOA ROW Permit application will be submitted for review and approval once TCP and dates of construction are provided.
- 2. SOA DOT&PF Permit 1-810001-13-406 was extended through October 1, 2025. Will request extension through October 1, 2028.
- 3. TSAIA Building permit number 24-301 requires that construction begin by June 6, 2026. Will submit for construction start date by June 5, 2028.
- 4. No construction activity was identified in standing or running water.  
**No Wetlands Permits have been obtained.**

Notice of Construction:

- 1. New letters will be mailed once construction date range has been determined.

Clearing:

- 1. Some clearing has been identified by designer.

*Deanna Kilburn*

---

Right-of-Way Agent III

**In Design  
STAKING SHEET**

**for  
PROJECT: E2314213  
AERO ACRES**

**Work Request: E2314213  
Design: AERO ACRES SUBD OH/UG  
Capital Account: 10720/000/03/7665  
Reimbursible Account: / / /  
Retirement Account: 10880/326/03/7665  
Work Plan No:  
Project Type: System Improvements  
Work Order Number:**

Reviewed by Designer/Project Engineer: \_\_\_\_\_ Date: 05/19/26  
Reviewed by Supervisor/Manager: Joshua Shafer \_\_\_\_\_ Date: 5/19/26  
Jake Moe  
Supervisor

**Remarks:**

Chugach Electric Association  
5601 Electron Drive  
Anchorage, AK 99518

Designer \_\_\_\_\_ Date \_\_\_/\_\_\_/\_\_\_

Checker \_\_\_\_\_ Date \_\_\_/\_\_\_/\_\_\_

Manager \_\_\_\_\_ Date \_\_\_/\_\_\_/\_\_\_

Project: E2314213

Design: AERO ACRES SUBD OH/UG

In Design

AERO ACRES

Grid: 1726

**Structure: 00. GENERAL**

Assembly Unit	Activity	#Cond	Qty	Unit Description	Complete	Qty
RandR FENCE	Install	0	1	RandR FENCE (FENCE REPAIR/RESTORATION)		
SIDEWALK	Install	1	1	SIDEWALK (SIDEWALK)		
SR1-8	Install	1	1	SR1-8 (CLEARING, 8' FOR UG LINES)		
SURL	Install	0	1	SURL (LANDSCAPING)		
Survey	Install	0	1	Survey (Survey (Direct Cost))		
SWPPP-BP	Install	0	1	SWPPP-BP (STORM WATER PLAN - BP)		
Traffic Control	Install	0	1	Traffic Control (Traffic Control)		

Remarks:

**Structure: 01. JB 4931**

Assembly Unit	Activity	#Cond	Qty	Unit Description	Complete	Qty
SHUR2-5	Install	1	30	SHUR2-5 (PRIMARY TRENCH HAND -DIG)		
STAG-2	Install	0	2	STAG-2 (PRIMARY CABLE TAG)		
SUM1C	Install	0	1	SUM1C (CONCRETE PAD 1 PH JUNCTION BOX)		
SUM3A	Install	0	1	SUM3A (1 PH JUNCTION BOX)		
SUM6-10	Install	0	2	SUM6-10 (200A BUSHING CAP)		
SUM6-15	Install	0	1	SUM6-15 (200A PARKING STAND)		
SUM6-1A 1 PH	Install	0	1	SUM6-1A (#2 LB ELBOW TERMINATION)		
SUM6-1C 1 PH	Install	0	1	SUM6-1C (1/0 LB ELBOW TERMINATION-15KV)		
SUM6-1C 1 PH	Install	0	1	SUM6-1C (1/0 LB ELBOW TERMINATION-15KV)		
SUME290P2	Install	0	2	SUME290P2 (2" PVC 90 24")		
SUME290S3	Install	0	1	SUME290S3 (2" RSC 90 36")		

Remarks: HAND DIG TO EXCAVATE EXISTING PRIMARY AND COIL INSIDE NEW JB. RELABEL CABLES GOING TO WL 13. PM 4119 (1941) AND WL 30. JB 4944. NORMAL OPEN ON WESTERN FEED.

**Structure: 02. PM 3831**

Assembly Unit	Activity	#Cond	Qty	Unit Description	Complete	Qty
1/0 CONC	Install	1	270	1/0 CONC Wire (1/0 CONCENTRIC PRIMARY)		
BORE	Install	1	270	BORE		
SUG7-50	Install	0	1	SUG7-50 (XFMR, PM, 50 KVA, 1 PH, LOOP)		
SUM1	Install	0	1	SUM1 (CONCRETE PAD 1 PH XFMR)		
SUM5012H	Install	1	270	SUM5012H - Conduit ((1) 2" HDPE CONDUIT)		
SUM6-1C 1 PH	Install	0	1	SUM6-1C (1/0 LB ELBOW TERMINATION-15KV)		
SUM6-1C 1 PH	Install	0	1	SUM6-1C (1/0 LB ELBOW TERMINATION-15KV)		
SUM6-32	Install	0	9	SUM6-32 (SECONDARY UG SPLICE)		
SUME290S3	Install	0	5	SUME290S3 (2" RSC 90 36")		

Remarks: COMMON BORE WITH WL 02A. PED 4531. SPLICE AND EXTEND SERVICES INTO TRANSFORMER.

**Structure: 02A. PED 4531**

Assembly Unit	Activity	#Cond	Qty	Unit Description	Complete	Qty
4/0 RIBB Secondary	Install	1	170	4/0 3-WIRE SECONDARY		
SHUR2-5	Install	1	5	SHUR2-5 (PRIMARY TRENCH HAND -DIG)		
SUK5	Install	0	1	SUK5 (Secondary Assembly Underground Cable)		
SUM5012H	Install	1	170	SUM5012H - Conduit ((1) 2" HDPE CONDUIT)		
SUME290S3	Install	0	1	SUME290S3 (2" RSC 90 36")		
SUK5	Remove	0	1	SUK5 (Secondary Assembly Underground Cable)		

Remarks: COMMON BORE WITH WL 02 PM 3831. HAND DIG TO INTERCEPT EXISTING FACILITIES.

**Structure: 02AA. LOT 2**

Assembly Unit	Activity	#Cond	Qty	Unit Description	Complete	Qty
2 RIBB Service	Existing	1	48	2 RIBB Wire Service (#2 3-WIRE SERVICE)		

Remarks:

**Structure: 02AB. LOT 1**

Assembly Unit	Activity	#Cond	Qty	Unit Description	Complete	Qty
2 RIBB Service	Existing	1	60	2 RIBB Wire Service (#2 3-WIRE SERVICE)		

Remarks:

**Structure: 02AC. LOT 11**

Assembly Unit	Activity	#Cond	Qty	Unit Description	Complete	Qty
2 RIBB Service	Existing	1	60	2 RIBB Wire Service (#2 3-WIRE SERVICE)		

Chugach Electric Association 5601 Electron Drive Anchorage, AK 99518	Designer/Project Engineer _____ Date ____/____/____ Checker _____ Date ____/____/____ Manager/Supervisor _____ Date ____/____/____
--	--

Project: E2314213

Design: AERO ACRES SUBD OH/UG

In Design

AERO ACRES

Grid: 1726

Remarks:

**Structure: 02AD. LOT 12**

<u>Assembly Unit</u>	<u>Activity</u>	<u>#Cond</u>	<u>Qty</u>	<u>Unit Description</u>	<u>Complete</u>	<u>Qty</u>
2 RIBB Service	Existing	1	75	2 RIBB Wire Service (#2 3-WIRE SERVICE)		

Remarks:

**Structure: 02B. PED 3031**

<u>Assembly Unit</u>	<u>Activity</u>	<u>#Cond</u>	<u>Qty</u>	<u>Unit Description</u>	<u>Complete</u>	<u>Qty</u>
4/0 RIBB Secondary	Install	1	218	4/0 3-WIRE SECONDARY		
SHUR2-5	Install	1	5	SHUR2-5 (PRIMARY TRENCH HAND -DIG)		
SUK5	Install	0	1	SUK5 (Secondary Assembly Underground Cable)		
SUM5012H	Install	1	218	SUM5012H - Conduit ((1) 2" HDPE CONDUIT)		
SUME290S3	Install	0	1	SUME290S3 (2" RSC 90 36")		
SUK5	Remove	0	1	SUK5 (Secondary Assembly Underground Cable)		

Remarks: COMMON BORE WITH WL 03. PM 1131. HAND DIG TO INTERCEPT EXISTING FACILITIES.

**Structure: 02BA. LOT 6**

<u>Assembly Unit</u>	<u>Activity</u>	<u>#Cond</u>	<u>Qty</u>	<u>Unit Description</u>	<u>Complete</u>	<u>Qty</u>
2/0 RIBB Service	Install	1	126	2/0 3-WIRE SERVICE		
SUM5012H	Install	1	126	SUM5012H - Conduit ((1) 2" HDPE CONDUIT)		
SUR2-3	Install	1	126	SUR2-3 (SECONDARY TRENCH)		
XSUM8	Install	0	1	XSUM8 (SERVICE CONVERSION)		
2 TPX Service	Remove	1	100	2 TPX OH SERVICE CONDUCTOR		

Remarks: METERBASE CANNOT ACCEPT 'L' ADAPTER. ATTACH CONDUIT TO BOTTOM.

**Structure: 02BB. LOT 5**

<u>Assembly Unit</u>	<u>Activity</u>	<u>#Cond</u>	<u>Qty</u>	<u>Unit Description</u>	<u>Complete</u>	<u>Qty</u>
2 RIBB Service	Existing	1	45	2 RIBB Wire Service (#2 3-WIRE SERVICE)		

Remarks:

**Structure: 02BC. LOT 7**

<u>Assembly Unit</u>	<u>Activity</u>	<u>#Cond</u>	<u>Qty</u>	<u>Unit Description</u>	<u>Complete</u>	<u>Qty</u>
2 RIBB Service	Install	1	92	2 RIBB Wire Service (#2 3-WIRE SERVICE)		
SUK7-LH	Install	0	1	OH-UG SERVICE GUTTER - LH		
SUM5012H	Install	1	92	SUM5012H - Conduit ((1) 2" HDPE CONDUIT)		
SUR2-3	Install	1	92	SUR2-3 (SECONDARY TRENCH)		
XSUM8	Install	0	1	XSUM8 (SERVICE CONVERSION)		
2 TPX Service	Remove	1	96	2 TPX OH SERVICE CONDUCTOR		

Remarks:

**Structure: 02BD. LOT 8**

<u>Assembly Unit</u>	<u>Activity</u>	<u>#Cond</u>	<u>Qty</u>	<u>Unit Description</u>	<u>Complete</u>	<u>Qty</u>
2 RIBB Service	Install	1	54	2 RIBB Wire Service (#2 3-WIRE SERVICE)		
SUK7-LH	Install	0	1	OH-UG SERVICE GUTTER - LH		
SUM5012H	Install	1	54	SUM5012H - Conduit ((1) 2" HDPE CONDUIT)		
SUR2-3	Install	1	54	SUR2-3 (SECONDARY TRENCH)		
XSUM8	Install	0	1	XSUM8 (SERVICE CONVERSION)		
2 TPX Service	Remove	1	50	2 TPX OH SERVICE CONDUCTOR		

Remarks:

**Structure: 02BE. SL 2731**

<u>Assembly Unit</u>	<u>Activity</u>	<u>#Cond</u>	<u>Qty</u>	<u>Unit Description</u>	<u>Complete</u>	<u>Qty</u>
6/2 UF	Install	1	127	#6 DB 2 WIRE STREETLIGHT CNDCT		
SL5AL	Install	0	1	LED STREET LIGHT, 150W HPS EQ		
SM52-3	Install	0	1	SM52-3 (POLE NUMBER)		
SUM5012H	Install	1	127	SUM5012H - Conduit ((1) 2" HDPE CONDUIT)		
SUME290S3	Install	0	1	SUME290S3 (2" RSC 90 36")		
SMR2	Existing	0	1	AMI Router 2		

Remarks: COMMON BORE WITH WL 03. PM 1131. REINSTALL AMI ROUTER R91616B1F FROM WL 17. POLE 2731.

**Structure: 02C. LOT 4**

<u>Assembly Unit</u>	<u>Activity</u>	<u>#Cond</u>	<u>Qty</u>	<u>Unit Description</u>	<u>Complete</u>	<u>Qty</u>
2 RIBB Service	Existing	1	66	2 RIBB Wire Service (#2 3-WIRE SERVICE)		

Chugach Electric Association	Designer/Project Engineer	_____	Date	___/___/___
5601 Electron Drive	Checker	_____	Date	___/___/___
Anchorage, AK 99518	Manager/Supervisor	_____	Date	___/___/___

Project: E2314213

Design: AERO ACRES SUBD OH/UG

In Design

AERO ACRES

Grid: 1726

Remarks:

**Structure: 02D. LOT 3**

<u>Assembly Unit</u>	<u>Activity</u>	<u>#Cond</u>	<u>Qty</u>	<u>Unit Description</u>	<u>Complete</u>	<u>Qty</u>
2 RIBB Service	Existing	1	70	2 RIBB Wire Service (#2 3-WIRE SERVICE)		

Remarks:

**Structure: 02E. LOT 9**

<u>Assembly Unit</u>	<u>Activity</u>	<u>#Cond</u>	<u>Qty</u>	<u>Unit Description</u>	<u>Complete</u>	<u>Qty</u>
2/0 RIBB Service	Install	1	78	2/0 3-WIRE SERVICE		
SHUR2-5	Install	1	35	SHUR2-5 (PRIMARY TRENCH HAND -DIG)		
SUM5012H	Install	1	78	SUM5012H - Conduit ((1) 2" HDPE CONDUIT)		
SUR2-3	Install	1	43	SUR2-3 (SECONDARY TRENCH)		
XSUM8	Install	0	1	XSUM8 (SERVICE CONVERSION)		
2 TPX Service	Remove	1	55	2 TPX OH SERVICE CONDUCTOR		

Remarks: METERBASE CANNOT ACCEPT 'L' ADAPTER. ATTACH RISER CONDUIT TO BOTTOM. HAND DIG OVER BORED CONDUITS.

**Structure: 02F. LOT 10**

<u>Assembly Unit</u>	<u>Activity</u>	<u>#Cond</u>	<u>Qty</u>	<u>Unit Description</u>	<u>Complete</u>	<u>Qty</u>
2 RIBB Service	Existing	1	96	2 RIBB Wire Service (#2 3-WIRE SERVICE)		

Remarks:

**Structure: 03. PM 1131**

<u>Assembly Unit</u>	<u>Activity</u>	<u>#Cond</u>	<u>Qty</u>	<u>Unit Description</u>	<u>Complete</u>	<u>Qty</u>
1/0 CONC	Install	1	720	1/0 CONC Wire (1/0 CONCENTRIC PRIMARY)		
BORE	Install	1	720	BORE		
SUG7-25	Install	0	1	SUG7-25 (XFMR, PM, 25 KVA, 1 PH, LOOP)		
SUM1	Install	0	1	SUM1 (CONCRETE PAD 1 PH XFMR)		
SUM5022H	Install	1	720	SUM5022H - Conduit ((2) 2" HDPE CONDUIT)		
SUM6-1C 1 PH	Install	0	1	SUM6-1C (1/0 LB ELBOW TERMINATION-15KV)		
SUM6-1C 1 PH	Install	0	1	SUM6-1C (1/0 LB ELBOW TERMINATION-15KV)		
SUME290S3	Install	0	4	SUME290S3 (2" RSC 90 36")		

Remarks: COMMON BORE WITH WL 03A. PED 1831, WL 02CE. SL, AND WL 02C. PED 3031.

**Structure: 03A. PED 1831**

<u>Assembly Unit</u>	<u>Activity</u>	<u>#Cond</u>	<u>Qty</u>	<u>Unit Description</u>	<u>Complete</u>	<u>Qty</u>
4/0 RIBB Secondary	Install	1	198	4/0 3-WIRE SECONDARY		
SUK5	Install	0	1	SUK5 (Secondary Assembly Underground Cable)		
SUM5012H	Install	1	198	SUM5012H - Conduit ((1) 2" HDPE CONDUIT)		
SUME290S3	Install	0	1	SUME290S3 (2" RSC 90 36")		

Remarks:

**Structure: 03AA. LOT 1**

<u>Assembly Unit</u>	<u>Activity</u>	<u>#Cond</u>	<u>Qty</u>	<u>Unit Description</u>	<u>Complete</u>	<u>Qty</u>
2/0 RIBB Service	Install	1	75	2/0 3-WIRE SERVICE		
SUK7-LH	Install	0	1	OH-UG SERVICE GUTTER - LH		
SUM5012H	Install	1	75	SUM5012H - Conduit ((1) 2" HDPE CONDUIT)		
SUR2-3	Install	1	75	SUR2-3 (SECONDARY TRENCH)		
XSUM8	Install	0	1	XSUM8 (SERVICE CONVERSION)		
2 TPX Service	Remove	1	66	2 TPX OH SERVICE CONDUCTOR		

Remarks:

**Structure: 03AB. LOT 11**

<u>Assembly Unit</u>	<u>Activity</u>	<u>#Cond</u>	<u>Qty</u>	<u>Unit Description</u>	<u>Complete</u>	<u>Qty</u>
2/0 RIBB Service	Install	1	70	2/0 3-WIRE SERVICE		
SUM5012H	Install	1	70	SUM5012H - Conduit ((1) 2" HDPE CONDUIT)		
SUR2-3	Install	1	70	SUR2-3 (SECONDARY TRENCH)		
2 TPX Service	Remove	1	75	2 TPX OH SERVICE CONDUCTOR		

Remarks: DAISY-CHAINED OVERHEAD SERVICES. HOMEOWNER TO REMOVE (2) METER BASES AND INSTALL NEW SINGULAR SERVICE ENTRANCE.

**Structure: 03AC. LOT 12**

<u>Assembly Unit</u>	<u>Activity</u>	<u>#Cond</u>	<u>Qty</u>	<u>Unit Description</u>	<u>Complete</u>	<u>Qty</u>
2 RIBB Service	Install	1	87	2 RIBB Wire Service (#2 3-WIRE SERVICE)		
SUK7-RH	Install	0	1	OH-UG SERVICE GUTTER - RH		

Chugach Electric Association 5601 Electron Drive Anchorage, AK 99518	Designer/Project Engineer	_____	Date	___/___/___
	Checker	_____	Date	___/___/___
	Manager/Supervisor	_____	Date	___/___/___

Project: E2314213

Design: AERO ACRES SUBD OH/UG

In Design

AERO ACRES

Grid: 1726

**Structure: 03AC. LOT 12**

Assembly Unit	Activity	#Cond	Qty	Unit Description	Complete	Qty
SUM5012H	Install	1	87	SUM5012H - Conduit ((1) 2" HDPE CONDUIT)		
SUR2-3	Install	1	87	SUR2-3 (SECONDARY TRENCH)		
XSUM8	Install	0	1	XSUM8 (SERVICE CONVERSION)		
2 TPX Service	Remove	1	72	2 TPX OH SERVICE CONDUCTOR		

Remarks:

**Structure: 03B. PED 0431**

Assembly Unit	Activity	#Cond	Qty	Unit Description	Complete	Qty
4/0 RIBB Secondary	Install	1	172	4/0 3-WIRE SECONDARY		
SHUR2-5	Install	1	5	SHUR2-5 (PRIMARY TRENCH HAND -DIG)		
SUK5	Install	0	1	SUK5 (Secondary Assembly Underground Cable)		
SUM5012H	Install	1	172	SUM5012H - Conduit ((1) 2" HDPE CONDUIT)		
SUME290S3	Install	0	1	SUME290S3 (2" RSC 90 36")		
SUK5	Remove	0	1	SUK5 (Secondary Assembly Underground Cable)		

Remarks: COMMON BORE WITH WL 04. SC 1229. HAND DIG TO INTERCEPT EXISTING FACILITIES. SPLICE AND EXTEND EXISTING UG SERVICES TO NEW PED.

**Structure: 03BA. LOT 6**

Assembly Unit	Activity	#Cond	Qty	Unit Description	Complete	Qty
2 RIBB Service	Existing	1	60	2 RIBB Wire Service (#2 3-WIRE SERVICE)		

Remarks:

**Structure: 03BB. LOT 5**

Assembly Unit	Activity	#Cond	Qty	Unit Description	Complete	Qty
2 RIBB Service	Existing	1	63	2 RIBB Wire Service (#2 3-WIRE SERVICE)		

Remarks:

**Structure: 03BC. LOT 7**

Assembly Unit	Activity	#Cond	Qty	Unit Description	Complete	Qty
2 RIBB Service	Install	1	72	2 RIBB Wire Service (#2 3-WIRE SERVICE)		
SUK7-LH	Install	0	1	OH-UG SERVICE GUTTER - LH		
SUM5012H	Install	1	72	SUM5012H - Conduit ((1) 2" HDPE CONDUIT)		
SUR2-3	Install	1	72	SUR2-3 (SECONDARY TRENCH)		
XSUM8	Install	0	1	XSUM8 (SERVICE CONVERSION)		
2 TPX Service	Remove	1	75	2 TPX OH SERVICE CONDUCTOR		

Remarks:

**Structure: 03BD. LOT 8**

Assembly Unit	Activity	#Cond	Qty	Unit Description	Complete	Qty
SHUR2-3	Install	1	5	SHUR2-3 (SECONDARY TRENCH - HAND DIG)		
2 RIBB Service	Existing	1	90	2 RIBB Wire Service (#2 3-WIRE SERVICE)		

Remarks: HAND DIG TO REROUTE SERVICE INTO WL 03B. PED 0431.

**Structure: 03C. LOT 9**

Assembly Unit	Activity	#Cond	Qty	Unit Description	Complete	Qty
2/0 RIBB Service	Install	1	90	2/0 3-WIRE SERVICE		
SUK7-RH	Install	0	1	OH-UG SERVICE GUTTER - RH		
SUM5012H	Install	1	90	SUM5012H - Conduit ((1) 2" HDPE CONDUIT)		
SUR2-3	Install	1	90	SUR2-3 (SECONDARY TRENCH)		
XSUM8	Install	0	1	XSUM8 (SERVICE CONVERSION)		
2 TPX Service	Remove	1	96	2 TPX OH SERVICE CONDUCTOR		

Remarks:

**Structure: 03D. LOT 10**

Assembly Unit	Activity	#Cond	Qty	Unit Description	Complete	Qty
SHUR2-3	Install	1	6	SHUR2-3 (SECONDARY TRENCH - HAND DIG)		
2 RIBB Service	Existing	1	73	2 RIBB Wire Service (#2 3-WIRE SERVICE)		

Remarks: HAND DIG TO REROUTE SERVICE INTO WL 03. PM 1131.

**Structure: 04. SC 1229**

Assembly Unit	Activity	#Cond	Qty	Unit Description	Complete	Qty
1/0 CONC	Install	1	260	1/0 CONC Wire (1/0 CONCENTRIC PRIMARY)		
BORE	Install	1	260	BORE		

Chugach Electric Association 5601 Electron Drive Anchorage, AK 99518	Designer/Project Engineer _____ Date ____/____/____ Checker _____ Date ____/____/____ Manager/Supervisor _____ Date ____/____/____
--	--

Project: E2314213 Design: AERO ACRES SUBD OH/UG

In Design

AERO ACRES

Grid: 1726

**Structure:** 04. SC 1229

<u>Assembly Unit</u>	<u>Activity</u>	<u>#Cond</u>	<u>Qty</u>	<u>Unit Description</u>	<u>Complete</u>	<u>Qty</u>
SHUR2-5	Install	1	15	SHUR2-5 (PRIMARY TRENCH HAND -DIG)		
SUM1F	Install	0	1	SUM1F (CONCRETE PAD 600 A SWITCH CAB.)		
SUM3-9	Install	0	1	SUM3-9 (600 A SC 2 FUSES 2 SWITCHES)		
SUM5012H	Install	1	260	SUM5012H - Conduit ((1) 2" HDPE CONDUIT)		
SUM6-25C 1 PH	Install	0	1	SUM6-25C (1/0 PRIMARY TERMINATION)		
SUM6-25C 1 PH	Install	0	1	SUM6-25C (1/0 PRIMARY TERMINATION)		
SUM6-25C 1 PH	Install	0	1	SUM6-25C (1/0 PRIMARY TERMINATION)		
SUM6-25D 3 PH	Install	0	1	SUM6-25D (4/0 PRIMARY TERMINATION)		
SUM6-25D 3 PH	Install	0	1	SUM6-25D (4/0 PRIMARY TERMINATION)		
SUM6-36A	Install	0	3	SUM6-36A (FUSE, S&C END FITTING SML-20)		
SUME445F4	Install	0	4	SUME445F4 (4" FG 45 48")		

Remarks: HAND DIG TO REROUTE #4/0 CONC INTO SWITCH CABINET. FUSE ALL 1Ø AT 40E.

**Structure:** 05. PM 1419

<u>Assembly Unit</u>	<u>Activity</u>	<u>#Cond</u>	<u>Qty</u>	<u>Unit Description</u>	<u>Complete</u>	<u>Qty</u>
1/0 CONC	Install	1	752	1/0 CONC Wire (1/0 CONCENTRIC PRIMARY)		
BORE	Install	1	692	BORE		
SHUR2-5	Install	1	10	SHUR2-5 (PRIMARY TRENCH HAND -DIG)		
SUG7-25	Install	0	1	SUG7-25 (XFMR, PM, 25 KVA, 1 PH, LOOP)		
SUM1	Install	0	1	SUM1 (CONCRETE PAD 1 PH XFMR)		
SUM5022H	Install	1	752	SUM5022H - Conduit ((2) 2" HDPE CONDUIT)		
SUM6-1C 1 PH	Install	0	1	SUM6-1C (1/0 LB ELBOW TERMINATION-15KV)		
SUM6-1C 1 PH	Install	0	1	SUM6-1C (1/0 LB ELBOW TERMINATION-15KV)		
SUME290S3	Install	0	7	SUME290S3 (2" RSC 90 36")		
SUR2-5	Install	1	60	SUR2-5 (PRIMARY TRENCH)		
SURCG	Install	1	14	SURCG (GRAVEL ROAD CROSSING)		

Remarks: (4) SUME290S3 USED FOR HORIZONTAL TURNS.

**Structure:** 05A. PED 2319

<u>Assembly Unit</u>	<u>Activity</u>	<u>#Cond</u>	<u>Qty</u>	<u>Unit Description</u>	<u>Complete</u>	<u>Qty</u>
4/0 RIBB Secondary	Install	1	173	4/0 3-WIRE SECONDARY		
SUK5	Install	0	1	SUK5 (Secondary Assembly Underground Cable)		
SUM1-GPA	Install	0	1	SUM1-GPA (GUARD POST W/SLEEVE)		
SUM5012H	Install	1	173	SUM5012H - Conduit ((1) 2" HDPE CONDUIT)		
SUR2-3	Install	1	173	SUR2-3 (SECONDARY TRENCH)		
SUK5A	Remove	0	1	SUK5A (Secondary Assembly Underground Cable)		

Remarks: RELOCATE PEDESTAL ONTO LOT 2 AS PER TYPICAL STAKING. INSTALL BOLLARD SOUTH OF PEDESTAL.

**Structure:** 05AA. LOT 2

<u>Assembly Unit</u>	<u>Activity</u>	<u>#Cond</u>	<u>Qty</u>	<u>Unit Description</u>	<u>Complete</u>	<u>Qty</u>
SHUR2-3	Install	1	5	SHUR2-3 (SECONDARY TRENCH - HAND DIG)		
4/0 RIBB Service	Existing	1	38	4/0 3-WIRE SERVICE		

Remarks: HAND DIG TO REROUTE SERVICE INTO NEW PEDESTAL.

**Structure:** 05AB. LOT 1

<u>Assembly Unit</u>	<u>Activity</u>	<u>#Cond</u>	<u>Qty</u>	<u>Unit Description</u>	<u>Complete</u>	<u>Qty</u>
2 RIBB Service	Install	1	64	2 RIBB Wire Service (#2 3-WIRE SERVICE)		
SUK7-RH	Install	0	1	OH-UG SERVICE GUTTER - RH		
SUM5012H	Install	1	64	SUM5012H - Conduit ((1) 2" HDPE CONDUIT)		
SUR2-3	Install	1	64	SUR2-3 (SECONDARY TRENCH)		
XSUM8	Install	0	1	XSUM8 (SERVICE CONVERSION)		
2 TPX Service	Remove	1	60	2 TPX OH SERVICE CONDUCTOR		

Remarks: HAND DIG TO REROUTE SERVICE INTO NEW PEDESTAL.

**Structure:** 05AC. LOT 13

<u>Assembly Unit</u>	<u>Activity</u>	<u>#Cond</u>	<u>Qty</u>	<u>Unit Description</u>	<u>Complete</u>	<u>Qty</u>
SHUR2-3	Install	1	5	SHUR2-3 (SECONDARY TRENCH - HAND DIG)		
2 RIBB Service	Existing	1	46	2 RIBB Wire Service (#2 3-WIRE SERVICE)		

Remarks:

**Structure:** 05AD. LOT 14

<u>Assembly Unit</u>	<u>Activity</u>	<u>#Cond</u>	<u>Qty</u>	<u>Unit Description</u>	<u>Complete</u>	<u>Qty</u>
2 RIBB Service	Install	1	84	2 RIBB Wire Service (#2 3-WIRE SERVICE)		

Chugach Electric Association 5601 Electron Drive Anchorage, AK 99518	Designer/Project Engineer _____ Date ____/____/____ Checker _____ Date ____/____/____ Manager/Supervisor _____ Date ____/____/____
--	--

Project: E2314213

Design: AERO ACRES SUBD OH/UG

In Design

AERO ACRES

Grid: 1726

**Structure: 05AD. LOT 14**

Assembly Unit	Activity	#Cond	Qty	Unit Description	Complete	Qty
SUK7-RH	Install	0	1	OH-UG SERVICE GUTTER - RH		
SUM5012H	Install	1	84	SUM5012H - Conduit ((1) 2" HDPE CONDUIT)		
SUR2-3	Install	1	84	SUR2-3 (SECONDARY TRENCH)		
XSUM8	Install	0	1	XSUM8 (SERVICE CONVERSION)		
2 TPX Service	Remove	1	78	2 TPX OH SERVICE CONDUCTOR		

Remarks:

**Structure: 05B. LOT 4**

Assembly Unit	Activity	#Cond	Qty	Unit Description	Complete	Qty
2/0 RIBB Service	Install	1	45	2/0 3-WIRE SERVICE		
SUM5012H	Install	1	45	SUM5012H - Conduit ((1) 2" HDPE CONDUIT)		
SUR2-3	Install	1	45	SUR2-3 (SECONDARY TRENCH)		
2 TPX Service	Remove	1	80	2 TPX OH SERVICE CONDUCTOR		

Remarks: HOMEOWNER TO RELOCATE/UPGRADE METER BASE.

**Structure: 05C. LOT 3**

Assembly Unit	Activity	#Cond	Qty	Unit Description	Complete	Qty
2 RIBB Service	Install	1	87	2 RIBB Wire Service (#2 3-WIRE SERVICE)		
SUK7-RH	Install	0	1	OH-UG SERVICE GUTTER - RH		
SUM5012H	Install	1	87	SUM5012H - Conduit ((1) 2" HDPE CONDUIT)		
SUR2-3	Install	1	87	SUR2-3 (SECONDARY TRENCH)		
XSUM8	Install	0	1	XSUM8 (SERVICE CONVERSION)		
2 TPX Service	Remove	1	76	2 TPX OH SERVICE CONDUCTOR		

Remarks:

**Structure: 05D. LOT 11**

Assembly Unit	Activity	#Cond	Qty	Unit Description	Complete	Qty
2/0 RIBB Service	Install	1	70	2/0 3-WIRE SERVICE		
SUK7-LH	Install	0	1	OH-UG SERVICE GUTTER - LH		
SUM5012H	Install	1	70	SUM5012H - Conduit ((1) 2" HDPE CONDUIT)		
SUR2-3	Install	1	70	SUR2-3 (SECONDARY TRENCH)		
XSUM8	Install	0	1	XSUM8 (SERVICE CONVERSION)		
2 TPX Service	Remove	1	75	2 TPX OH SERVICE CONDUCTOR		

Remarks:

**Structure: 05E. LOT 12**

Assembly Unit	Activity	#Cond	Qty	Unit Description	Complete	Qty
SHUR2-3	Install	1	5	SHUR2-3 (SECONDARY TRENCH - HAND DIG)		
2 RIBB Service	Existing	1	66	2 RIBB Wire Service (#2 3-WIRE SERVICE)		

Remarks:

**Structure: 06. PM 0419**

Assembly Unit	Activity	#Cond	Qty	Unit Description	Complete	Qty
1/0 CONC	Install	1	270	1/0 CONC Wire (1/0 CONCENTRIC PRIMARY)		
SUG7-25	Install	0	1	SUG7-25 (XFMR, PM, 25 KVA, 1 PH, LOOP)		
SUM1	Install	0	1	SUM1 (CONCRETE PAD 1 PH XFMR)		
SUM5012H	Install	1	270	SUM5012H - Conduit ((1) 2" HDPE CONDUIT)		
SUM6-10	Install	0	1	SUM6-10 (200A BUSHING CAP)		
SUM6-15	Install	0	1	SUM6-15 (200A PARKING STAND)		
SUM6-1C 1 PH	Install	0	1	SUM6-1C (1/0 LB ELBOW TERMINATION-15KV)		
SUM6-1C 1 PH	Install	0	1	SUM6-1C (1/0 LB ELBOW TERMINATION-15KV)		
SUME290S3	Install	0	4	SUME290S3 (2" RSC 90 36")		

Remarks: COMMON BORE WITH WL 05. PM 1419. NORMAL OPEN ON WESTERN FEED.

**Structure: 06A. PED 1019**

Assembly Unit	Activity	#Cond	Qty	Unit Description	Complete	Qty
4/0 RIBB Secondary	Install	1	117	4/0 3-WIRE SECONDARY		
SHUR2-5	Install	1	12	SHUR2-5 (PRIMARY TRENCH HAND -DIG)		
SUK5	Install	0	1	SUK5 (Secondary Assembly Underground Cable)		
SUM5012H	Install	1	117	SUM5012H - Conduit ((1) 2" HDPE CONDUIT)		
SUME290S3	Install	0	1	SUME290S3 (2" RSC 90 36")		
SUK5	Remove	0	1	SUK5 (Secondary Assembly Underground Cable)		

Chugach Electric Association	Designer/Project Engineer	_____	Date	___/___/___
5601 Electron Drive	Checker	_____	Date	___/___/___
Anchorage, AK 99518	Manager/Supervisor	_____	Date	___/___/___

Project: E2314213 Design: AERO ACRES SUBD OH/UG

In Design

AERO ACRES

Grid: 1726

Remarks: HAND DIG AND EXTEND EXISTING FACILITIES TO PEDESTAL. COMMON BORE WITH WL 05. PM 1419.

**Structure: 06AA. LOT 6B**

Assembly Unit	Activity	#Cond	Qty	Unit Description	Complete	Qty
2 RIBB Service	Existing	1	50	2 RIBB Wire Service (#2 3-WIRE SERVICE)		

Remarks:

**Structure: 06AB. LOT 5A**

Assembly Unit	Activity	#Cond	Qty	Unit Description	Complete	Qty
2/0 RIBB Service	Existing	1	48	2/0 3-WIRE SERVICE		

Remarks:

**Structure: 06AC. LOT 5B**

Assembly Unit	Activity	#Cond	Qty	Unit Description	Complete	Qty
2/0 RIBB Service	Existing	1	90	2/0 3-WIRE SERVICE		

Remarks:

**Structure: 06AD. LOT 9**

Assembly Unit	Activity	#Cond	Qty	Unit Description	Complete	Qty
2/0 RIBB Service	Existing	1	85	2/0 3-WIRE SERVICE		

Remarks:

**Structure: 06AE. LOT 10**

Assembly Unit	Activity	#Cond	Qty	Unit Description	Complete	Qty
2/0 RIBB Service	Existing	1	100	2/0 3-WIRE SERVICE		

Remarks:

**Structure: 06AF. SL**

Assembly Unit	Activity	#Cond	Qty	Unit Description	Complete	Qty
6/2 UF	Existing	1	132	#6 DB 2 WIRE STREETLIGHT CONDCT		

Remarks:

**Structure: 06B. LOT 7**

Assembly Unit	Activity	#Cond	Qty	Unit Description	Complete	Qty
2 RIBB Service	Install	1	82	2 RIBB Wire Service (#2 3-WIRE SERVICE)		
SUK7-RH	Install	0	1	OH-UG SERVICE GUTTER - RH		
SUM5012H	Install	1	82	SUM5012H - Conduit ((1) 2" HDPE CONDUIT)		
SUR2-3	Install	1	82	SUR2-3 (SECONDARY TRENCH)		
XSUM8	Install	0	1	XSUM8 (SERVICE CONVERSION)		
2 TPX Service	Remove	1	75	2 TPX OH SERVICE CONDUCTOR		

Remarks:

**Structure: 06C. LOT 6A**

Assembly Unit	Activity	#Cond	Qty	Unit Description	Complete	Qty
2/0 RIBB Service	Install	1	60	2/0 3-WIRE SERVICE		
SUM5012H	Install	1	60	SUM5012H - Conduit ((1) 2" HDPE CONDUIT)		
SUR2-3	Install	1	60	SUR2-3 (SECONDARY TRENCH)		
2 RIBB Service	Abandon	1	100	2 RIBB Wire Service (#2 3-WIRE SERVICE)		

Remarks: 200-AMP UNDERGROUND SERVED METER BASE. 'L' ADAPTER UNNECESSARY.

**Structure: 06D. LOT 8-1**

Assembly Unit	Activity	#Cond	Qty	Unit Description	Complete	Qty
2/0 RIBB Service	Install	1	163	2/0 3-WIRE SERVICE		
SUM5012H	Install	1	163	SUM5012H - Conduit ((1) 2" HDPE CONDUIT)		
SUR2-3	Install	1	163	SUR2-3 (SECONDARY TRENCH)		
XSUM8	Install	0	1	XSUM8 (SERVICE CONVERSION)		
2 TPX Service	Remove	1	90	2 TPX OH SERVICE CONDUCTOR		

Remarks: METERBASE CANNOT ACCEPT 'L' ADAPTER. ATTACH CONDUIT TO BOTTOM.

**Structure: 06E. LOT 8-2**

Assembly Unit	Activity	#Cond	Qty	Unit Description	Complete	Qty
2/0 RIBB Service	Install	1	49	2/0 3-WIRE SERVICE		
SUK7-RH	Install	0	1	OH-UG SERVICE GUTTER - RH		

Chugach Electric Association 5601 Electron Drive Anchorage, AK 99518	Designer/Project Engineer _____ Date ____/____/____ Checker _____ Date ____/____/____ Manager/Supervisor _____ Date ____/____/____
--	--

Project: E2314213

Design: AERO ACRES SUBD OH/UG

In Design

AERO ACRES

Grid: 1726

**Structure: 06E. LOT 8-2**

<u>Assembly Unit</u>	<u>Activity</u>	<u>#Cond</u>	<u>Qty</u>	<u>Unit Description</u>	<u>Complete</u>	<u>Qty</u>
SUM5012H	Install	1	49	SUM5012H - Conduit ((1) 2" HDPE CONDUIT)		
SUR2-3	Install	1	49	SUR2-3 (SECONDARY TRENCH)		
XSUM8	Install	0	1	XSUM8 (SERVICE CONVERSION)		
2 TPX Service	Remove	1	51	2 TPX OH SERVICE CONDUCTOR		

Remarks:

**Structure: 07. PM 0406**

<u>Assembly Unit</u>	<u>Activity</u>	<u>#Cond</u>	<u>Qty</u>	<u>Unit Description</u>	<u>Complete</u>	<u>Qty</u>
1/0 CONC	Install	1	556	1/0 CONC Wire (1/0 CONCENTRIC PRIMARY)		
BORE	Install	1	414	BORE		
SUG7-25	Install	0	1	SUG7-25 (XFMR, PM, 25 KVA, 1 PH, LOOP)		
SUM1	Install	0	1	SUM1 (CONCRETE PAD 1 PH XFMR)		
SUM5022H	Install	1	556	SUM5022H - Conduit ((2) 2" HDPE CONDUIT)		
SUM6-1C 1 PH	Install	0	1	SUM6-1C (1/0 LB ELBOW TERMINATION-15KV)		
SUM6-1C 1 PH	Install	0	1	SUM6-1C (1/0 LB ELBOW TERMINATION-15KV)		
SUME290S3	Install	0	9	SUME290S3 (2" RSC 90 36")		
SUR2-5	Install	1	30	SUR2-5 (PRIMARY TRENCH)		

Remarks: COMMON BORE WITH WL 05. PM1419. (4) SUME290S3 USED FOR HORIZONTAL TURNS.

**Structure: 07A. PED 0106**

<u>Assembly Unit</u>	<u>Activity</u>	<u>#Cond</u>	<u>Qty</u>	<u>Unit Description</u>	<u>Complete</u>	<u>Qty</u>
4/0 RIBB Secondary	Install	1	90	4/0 3-WIRE SECONDARY		
SUK5	Install	0	1	SUK5 (Secondary Assembly Underground Cable)		
SUM5012H	Install	1	90	SUM5012H - Conduit ((1) 2" HDPE CONDUIT)		
SUME290S3	Install	0	1	SUME290S3 (2" RSC 90 36")		

Remarks: COMMON BORE WITH WL 07. PM 0406.

**Structure: 07AA. LOT 6**

<u>Assembly Unit</u>	<u>Activity</u>	<u>#Cond</u>	<u>Qty</u>	<u>Unit Description</u>	<u>Complete</u>	<u>Qty</u>
2 RIBB Service	Install	1	38	2 RIBB Wire Service (#2 3-WIRE SERVICE)		
SUK7-LH	Install	0	1	OH-UG SERVICE GUTTER - LH		
SUM5012H	Install	1	38	SUM5012H - Conduit ((1) 2" HDPE CONDUIT)		
SUR2-3	Install	1	38	SUR2-3 (SECONDARY TRENCH)		
XSUM8	Install	0	1	XSUM8 (SERVICE CONVERSION)		
2 TPX Service	Remove	1	45	2 TPX OH SERVICE CONDUCTOR		

Remarks:

**Structure: 07AB. LOT 7**

<u>Assembly Unit</u>	<u>Activity</u>	<u>#Cond</u>	<u>Qty</u>	<u>Unit Description</u>	<u>Complete</u>	<u>Qty</u>
2/0 RIBB Service	Install	1	53	2/0 3-WIRE SERVICE		
SUK7-LH	Install	0	1	OH-UG SERVICE GUTTER - LH		
SUM5012H	Install	1	53	SUM5012H - Conduit ((1) 2" HDPE CONDUIT)		
SUR2-3	Install	1	53	SUR2-3 (SECONDARY TRENCH)		
XSUM8	Install	0	1	XSUM8 (SERVICE CONVERSION)		
2 TPX Service	Remove	1	60	2 TPX OH SERVICE CONDUCTOR		

Remarks:

**Structure: 07AC. SL 0201**

<u>Assembly Unit</u>	<u>Activity</u>	<u>#Cond</u>	<u>Qty</u>	<u>Unit Description</u>	<u>Complete</u>	<u>Qty</u>
6/2 UF	Install	1	216	#6 DB 2 WIRE STREETLIGHT CNDCT		
SHUR2-5	Install	1	22	SHUR2-5 (PRIMARY TRENCH HAND -DIG)		
SM52-3	Install	0	1	SM52-3 (POLE NUMBER)		
SUM5012H	Install	1	216	SUM5012H - Conduit ((1) 2" HDPE CONDUIT)		
SUME290P2	Install	0	2	SUME290P2 (2" PVC 90 24")		
SUME290S3	Install	0	2	SUME290S3 (2" RSC 90 36")		

Remarks: COMMON BORE WITH WL09. SC 89 AND WL 07. PM 0406.

**Structure: 07B. PED 0806 (0908)**

<u>Assembly Unit</u>	<u>Activity</u>	<u>#Cond</u>	<u>Qty</u>	<u>Unit Description</u>	<u>Complete</u>	<u>Qty</u>
4/0 RIBB Secondary	Install	1	84	4/0 3-WIRE SECONDARY		
SHUR2-3	Install	1	20	SHUR2-3 (SECONDARY TRENCH - HAND DIG)		
SUK5	Install	0	1	SUK5 (Secondary Assembly Underground Cable)		
SUM5012H	Install	1	84	SUM5012H - Conduit ((1) 2" HDPE CONDUIT)		

Chugach Electric Association 5601 Electron Drive Anchorage, AK 99518	Designer/Project Engineer _____ Date ____/____/____
	Checker _____ Date ____/____/____
	Manager/Supervisor _____ Date ____/____/____

Project: E2314213

Design: AERO ACRES SUBD OH/UG

In Design

AERO ACRES

Grid: 1726

**Structure: 07B. PED 0806 (0908)**

Assembly Unit	Activity	#Cond	Qty	Unit Description	Complete	Qty
SUME290S3	Install	0	1	SUME290S3 (2" RSC 90 36")		
SUK5	Remove	0	1	SUK5 (Secondary Assembly Underground Cable)		

Remarks: COMMON BORE WITH WL 08 PM 1806. RELOCATE PEDESTAL ONTO LOT 5 AS PER TYPICAL STAKING. HAND DIG TO INTERCEPT EXISTING FACILITIES. SPLICE AND EXTEND EXISTING UG SERVICES TO NEW PED. NAME NEW PED TO "0806."

**Structure: 07BA. LOT 5**

Assembly Unit	Activity	#Cond	Qty	Unit Description	Complete	Qty
2 RIBB Service	Install	1	12	2 RIBB Wire Service (#2 3-WIRE SERVICE)		
SUM6-32	Install	0	3	SUM6-32 (SECONDARY UG SPLICE)		
2 RIBB Service	Existing	1	67	2 RIBB Wire Service (#2 3-WIRE SERVICE)		

Remarks: COMMON HAND DIG TO EXTEND SERVICE TO NEW PEDESTAL.

**Structure: 07BB. LOT 4**

Assembly Unit	Activity	#Cond	Qty	Unit Description	Complete	Qty
2 RIBB Service	Install	1	12	2 RIBB Wire Service (#2 3-WIRE SERVICE)		
SHUR2-3	Install	1	12	SHUR2-3 (SECONDARY TRENCH - HAND DIG)		
SUM6-32	Install	0	3	SUM6-32 (SECONDARY UG SPLICE)		
2 RIBB Service	Existing	1	71	2 RIBB Wire Service (#2 3-WIRE SERVICE)		

Remarks: HAND DIG TO EXTEND SERVICE TO NEW PEDESTAL.

**Structure: 07BC. LOT 8**

Assembly Unit	Activity	#Cond	Qty	Unit Description	Complete	Qty
4/0 RIBB Service	Remove	1	12	4/0 3-WIRE SERVICE		
SUM5012H	Abandon	1	12	SUM5012H - Conduit ((1) 2" HDPE CONDUIT)		
4/0 RIBB Service	Existing	1	26	4/0 3-WIRE SERVICE		

Remarks: COMMON HAND DIG TO REROUTE SERVICE INTO NEW PEDESTAL.

**Structure: 07BD. LOT 9**

Assembly Unit	Activity	#Cond	Qty	Unit Description	Complete	Qty
2 RIBB Service	Install	1	12	2 RIBB Wire Service (#2 3-WIRE SERVICE)		
SUM6-32	Install	0	3	SUM6-32 (SECONDARY UG SPLICE)		
2 RIBB Service	Existing	1	120	2 RIBB Wire Service (#2 3-WIRE SERVICE)		

Remarks: COMMON HAND DIG TO EXTEND SERVICE TO NEW PEDESTAL.

**Structure: 08. PM 1806**

Assembly Unit	Activity	#Cond	Qty	Unit Description	Complete	Qty
1/0 CONC	Install	1	360	1/0 CONC Wire (1/0 CONCENTRIC PRIMARY)		
BORE	Install	1	360	BORE		
SUG7-25	Install	0	1	SUG7-25 (XFMR, PM, 25 KVA, 1 PH, LOOP)		
SUM1	Install	0	1	SUM1 (CONCRETE PAD 1 PH XFMR)		
SUM5012H	Install	1	360	SUM5012H - Conduit ((1) 2" HDPE CONDUIT)		
SUM6-1C 1 PH	Install	0	1	SUM6-1C (1/0 LB ELBOW TERMINATION-15KV)		
SUM6-1C 1 PH	Install	0	1	SUM6-1C (1/0 LB ELBOW TERMINATION-15KV)		
SUME290S3	Install	0	4	SUME290S3 (2" RSC 90 36")		

Remarks:

**Structure: 08A. PED 1406(1507A)**

Assembly Unit	Activity	#Cond	Qty	Unit Description	Complete	Qty
4/0 RIBB Secondary	Install	1	104	4/0 3-WIRE SECONDARY		
SHUR2-5	Install	1	5	SHUR2-5 (PRIMARY TRENCH HAND -DIG)		
SUK5	Install	0	1	SUK5 (Secondary Assembly Underground Cable)		
SUM5012H	Install	1	104	SUM5012H - Conduit ((1) 2" HDPE CONDUIT)		
SUME290S3	Install	0	1	SUME290S3 (2" RSC 90 36")		
SUK5	Remove	0	1	SUK5 (Secondary Assembly Underground Cable)		

Remarks: RELOCATE PED TO TYPICAL STAKING LOCATION. COMMON BORE WITH WL 08. PM 1806. HAND DIG TO INTERCEPT EXISTING FACILITIES.

**Structure: 08AA. LOT 2**

Assembly Unit	Activity	#Cond	Qty	Unit Description	Complete	Qty
2 RIBB Service	Install	1	68	2 RIBB Wire Service (#2 3-WIRE SERVICE)		
SUK7-LH	Install	0	1	OH-UG SERVICE GUTTER - LH		
SUM5012H	Install	1	68	SUM5012H - Conduit ((1) 2" HDPE CONDUIT)		
SUR2-3	Install	1	68	SUR2-3 (SECONDARY TRENCH)		

Chugach Electric Association 5601 Electron Drive Anchorage, AK 99518	Designer/Project Engineer _____ Date ____/____/____
	Checker _____ Date ____/____/____
	Manager/Supervisor _____ Date ____/____/____

Project: E2314213 Design: AERO ACRES SUBD OH/UG

In Design

AERO ACRES

Grid: 1726

**Structure: 08AA. LOT 2**

<u>Assembly Unit</u>	<u>Activity</u>	<u>#Cond</u>	<u>Qty</u>	<u>Unit Description</u>	<u>Complete</u>	<u>Qty</u>
XSUM8	Install	0	1	XSUM8 (SERVICE CONVERSION)		
2 TPX Service	Remove	1	60	2 TPX OH SERVICE CONDUCTOR		

Remarks:

**Structure: 08AB. LOT 10**

<u>Assembly Unit</u>	<u>Activity</u>	<u>#Cond</u>	<u>Qty</u>	<u>Unit Description</u>	<u>Complete</u>	<u>Qty</u>
2 RIBB Service	Install	1	6	2 RIBB Wire Service (#2 3-WIRE SERVICE)		
SHUR2-3	Install	1	6	SHUR2-3 (SECONDARY TRENCH - HAND DIG)		
SUM6-32	Install	0	3	SUM6-32 (SECONDARY UG SPLICE)		
2 RIBB Service	Existing	1	73	2 RIBB Wire Service (#2 3-WIRE SERVICE)		

Remarks: SPLICE AND EXTEND SERVICE TO NEW PED LOCATION.

**Structure: 08AC. LOT 11**

<u>Assembly Unit</u>	<u>Activity</u>	<u>#Cond</u>	<u>Qty</u>	<u>Unit Description</u>	<u>Complete</u>	<u>Qty</u>
SHUR2-3	Install	1	6	SHUR2-3 (SECONDARY TRENCH - HAND DIG)		
2 RIBB Service	Existing	1	93	2 RIBB Wire Service (#2 3-WIRE SERVICE)		

Remarks: HAND DIG TO REROUTE SERVICE INTO NEW PEDESTAL.

**Structure: 08B. PED 2105**

<u>Assembly Unit</u>	<u>Activity</u>	<u>#Cond</u>	<u>Qty</u>	<u>Unit Description</u>	<u>Complete</u>	<u>Qty</u>
4/0 RIBB Secondary	Install	1	134	4/0 3-WIRE SECONDARY		
SUK5	Install	0	1	SUK5 (Secondary Assembly Underground Cable)		
SUM5012H	Install	1	134	SUM5012H - Conduit ((1) 2" HDPE CONDUIT)		
SUR2-3	Install	1	134	SUR2-3 (SECONDARY TRENCH)		

Remarks:

**Structure: 08BA. LOT 14**

<u>Assembly Unit</u>	<u>Activity</u>	<u>#Cond</u>	<u>Qty</u>	<u>Unit Description</u>	<u>Complete</u>	<u>Qty</u>
2 RIBB Service	Install	1	115	2 RIBB Wire Service (#2 3-WIRE SERVICE)		
SUM5012H	Install	1	115	SUM5012H - Conduit ((1) 2" HDPE CONDUIT)		
SUR2-3	Install	1	115	SUR2-3 (SECONDARY TRENCH)		
2 RIBB Service	Abandon	1	81	2 RIBB Wire Service (#2 3-WIRE SERVICE)		

Remarks: COMMON TRENCH WITH 08B. PED 2105.

**Structure: 08BB. LOT 13**

<u>Assembly Unit</u>	<u>Activity</u>	<u>#Cond</u>	<u>Qty</u>	<u>Unit Description</u>	<u>Complete</u>	<u>Qty</u>
2 RIBB Service	Install	1	84	2 RIBB Wire Service (#2 3-WIRE SERVICE)		
SHUR2-3	Install	1	4	SHUR2-3 (SECONDARY TRENCH - HAND DIG)		
SUK7-RH	Install	0	1	OH-UG SERVICE GUTTER - RH		
SUM5012H	Install	1	65	SUM5012H - Conduit ((1) 2" HDPE CONDUIT)		
SUR2-3	Install	1	65	SUR2-3 (SECONDARY TRENCH)		
XSUM8	Install	0	1	XSUM8 (SERVICE CONVERSION)		
2 TPX Service	Remove	1	105	2 TPX OH SERVICE CONDUCTOR		

Remarks: HOMEOWNER TO INSTALL 6" SLEEVE UNDER DECK. HAND DIG TO EXPOSE ENDS.

**Structure: 08C. LOT 1**

<u>Assembly Unit</u>	<u>Activity</u>	<u>#Cond</u>	<u>Qty</u>	<u>Unit Description</u>	<u>Complete</u>	<u>Qty</u>
2/0 RIBB Service	Install	1	88	2/0 3-WIRE SERVICE		
SUM5012H	Install	1	88	SUM5012H - Conduit ((1) 2" HDPE CONDUIT)		
SUR2-3	Install	1	88	SUR2-3 (SECONDARY TRENCH)		
2 TPX Service	Remove	1	51	2 TPX OH SERVICE CONDUCTOR		

Remarks: HOMEOWNER TO UPGRADE METER BASE.

**Structure: 08D. LOT 12**

<u>Assembly Unit</u>	<u>Activity</u>	<u>#Cond</u>	<u>Qty</u>	<u>Unit Description</u>	<u>Complete</u>	<u>Qty</u>
2 RIBB Service	Install	1	59	2 RIBB Wire Service (#2 3-WIRE SERVICE)		
SUM5012H	Install	1	59	SUM5012H - Conduit ((1) 2" HDPE CONDUIT)		
SUR2-3	Install	1	59	SUR2-3 (SECONDARY TRENCH)		
2 RIBB Service	Abandon	1	59	2 RIBB Wire Service (#2 3-WIRE SERVICE)		

Remarks:

Chugach Electric Association 5601 Electron Drive Anchorage, AK 99518	Designer/Project Engineer _____ Date ____/____/____ Checker _____ Date ____/____/____ Manager/Supervisor _____ Date ____/____/____
--	--

Project: E2314213

Design: AERO ACRES SUBD OH/UG

In Design

AERO ACRES

Grid: 1726

**Structure: 09. SC 89**

Assembly Unit	Activity	#Cond	Qty	Unit Description	Complete	Qty
1/0 CONC	Install	1	858	1/0 CONC Wire (1/0 CONCENTRIC PRIMARY)		
BORE	Install	1	375	BORE		
SUM5022H	Install	1	858	SUM5022H - Conduit ((2) 2" HDPE CONDUIT)		
SUM6-25C 1 PH	Install	0	1	SUM6-25C (1/0 PRIMARY TERMINATION)		
SUM6-25D 3 PH	Install	0	1	SUM6-25D (4/0 PRIMARY TERMINATION)		
SUM6-36A	Install	0	4	SUM6-36A (FUSE, S&C END FITTING SML-20)		
SUME290S3	Install	0	4	SUME290S3 (2" RSC 90 36")		
SUME445F4	Install	0	2	SUME445F4 (4" FG 45 48")		
SUME645F5	Install	0	2	SUME645F5 (6" FG 45 60")		
SUM1F	Existing	0	1	SUM1F (CONCRETE PAD 600 A SWITCH CAB.)		
SUM3-9	Existing	0	1	SUM3-9 (600 A SC 2 FUSES 2 SWITCHES)		

Remarks: INSTALL NEW 3Ø FEEDER IN COMPARTMENT 4 AND FUSE @ 125E. INSTALL NEW 1Ø CABLE INTO COMPARTMENT 3, PHASE C AND FUSE @ 40E. (4) SUME290S3 USED FOR HORIZONTAL TURNS. COMMON BORE/TRENCH WITH WL 07. PM 0406 AND WL 08. PM 1806.

**Structure: 09A. LOCATE DISK**

Assembly Unit	Activity	#Cond	Qty	Unit Description	Complete	Qty
SUM12C	Install	0	1	UG LOCATOR DISC		
SUM5026H	Install	1	200	SUM5026H - Conduit ((2) 6" HDPE CONDUIT)		

Remarks: COMMON BORE/TRENCH WITH WL 07. PM 0406 AND WL 08. PM 1806. INSTALL SPARE CONDUIT FOR FUTURE USE.

**Structure: 10. REPEAT SC 1229**

Assembly Unit	Activity	#Cond	Qty	Unit Description	Complete	Qty
4/0 CONC	Install	3	1,068	4/0 CONC Wire (4/0 CONCENTRIC PRIMARY)		
SUM5024H	Install	1	1,068	SUM5024H - Conduit ((2) 4" HDPE CONDUIT)		
SUME490F5	Install	0	4	SUME490F5 (4" FG 90 60")		

Remarks: COMMON BORE WITH WL 05. PM 1419, WL 07. PM 0406, AND WL 09. SC 89. (4) SUME490F5 USED FOR HORIZONTAL TURNS.

**Structure: 11. PP 0144**

Assembly Unit	Activity	#Cond	Qty	Unit Description	Complete	Qty
1/0 CONC	Install	1	384	1/0 CONC Wire (1/0 CONCENTRIC PRIMARY)		
BORE	Install	1	324	BORE		
SUM1	Install	0	1	SUM1 (CONCRETE PAD 1 PH XFMR)		
SUM12C	Install	0	1	UG LOCATOR DISC		
SUM1-CD	Install	0	1	SUM1-CD (SUM1 METAL PAD COVERING)		
SUM5022H	Install	1	384	SUM5022H - Conduit ((2) 2" HDPE CONDUIT)		
SUM5024H	Install	1	364	SUM5024H - Conduit ((2) 4" HDPE CONDUIT)		
SUM6-28C 1 PH	Install	0	1	SUM6-28C (1/0 PRIMARY SPLICE-15KV)		
SUME290S3	Install	0	6	SUME290S3 (2" RSC 90 36")		
SUME490F5	Install	0	2	SUME490F5 (4" FG 90 60")		
SUR2-5	Install	1	30	SUR2-5 (PRIMARY TRENCH)		

Remarks: COMMON BORE WITH WL 05. PM 1419. INSTALL (2) SPARE 4" CONDUIT FOR FUTURE CABLE REPLACEMENT. CAP END AND PLACE LOCATOR DISK OVER THE TOP. (4) SUME290S3 AND (2) SUME490F5 USED FOR HORIZONTAL TURNS.

**Structure: 12. PM 2344**

Assembly Unit	Activity	#Cond	Qty	Unit Description	Complete	Qty
1/0 CONC	Install	1	550	1/0 CONC Wire (1/0 CONCENTRIC PRIMARY)		
BORE	Install	1	550	BORE		
SUG7-25	Install	0	1	SUG7-25 (XFMR, PM, 25 KVA, 1 PH, LOOP)		
SUM5022H	Install	1	550	SUM5022H - Conduit ((2) 2" HDPE CONDUIT)		
SUM6-1C 1 PH	Install	0	1	SUM6-1C (1/0 LB ELBOW TERMINATION-15KV)		
SUME290S3	Install	0	2	SUME290S3 (2" RSC 90 36")		
SUG6-50	Remove	0	1	SUG6-50 (XFMR, PM, 50 KVA, 1 PH, RADIAL)		
SUM1	Existing	0	1	SUM1 (CONCRETE PAD 1 PH XFMR)		

Remarks:

**Structure: 13. PM 4119 (1941)**

Assembly Unit	Activity	#Cond	Qty	Unit Description	Complete	Qty
RAISE PAD	Install	0	1	RAISE PAD (RAISE EXISTING PAD)		
STAG-2	Install	0	1	STAG-2 (PRIMARY CABLE TAG)		
SUME290S3	Install	0	3	SUME290S3 (2" RSC 90 36")		
STAG-2	Remove	0	1	STAG-2 (PRIMARY CABLE TAG)		
SUG7-50	Existing	0	1	SUG7-50 (XFMR, PM, 50 KVA, 1 PH, LOOP)		

Chugach Electric Association  
5601 Electron Drive  
Anchorage, AK 99518

Designer/Project Engineer \_\_\_\_\_ Date \_\_\_\_/\_\_\_\_/\_\_\_\_  
 Checker \_\_\_\_\_ Date \_\_\_\_/\_\_\_\_/\_\_\_\_  
 Manager/Supervisor \_\_\_\_\_ Date \_\_\_\_/\_\_\_\_/\_\_\_\_

Project: E2314213

Design: AERO ACRES SUBD OH/UG

In Design

AERO ACRES

Grid: 1726

**Structure:** 13. PM 4119 (1941)

<u>Assembly Unit</u>	<u>Activity</u>	<u>#Cond</u>	<u>Qty</u>	<u>Unit Description</u>	Complete	Qty
SUM1	Existing	0	1	SUM1 (CONCRETE PAD 1 PH XFMR)		

Remarks: RENAME TO "PM 4119". RELABEL CABLE GOING TO WL 01. JB 4931 AND WL 34. PM 2. RAISE AND ROTATE PAD TO FACE EAST.

**Structure:** 13A. PED 3119

<u>Assembly Unit</u>	<u>Activity</u>	<u>#Cond</u>	<u>Qty</u>	<u>Unit Description</u>	Complete	Qty
4/0 RIBB Secondary	Install	1	270	4/0 3-WIRE SECONDARY		
BORE	Install	1	270	BORE		
SUK5	Install	0	1	SUK5 (Secondary Assembly Underground Cable)		
SUM5012H	Install	1	270	SUM5012H - Conduit ((1) 2" HDPE CONDUIT)		

Remarks:

**Structure:** 13AA. LOT 6

<u>Assembly Unit</u>	<u>Activity</u>	<u>#Cond</u>	<u>Qty</u>	<u>Unit Description</u>	Complete	Qty
2 RIBB Service	Install	1	70	2 RIBB Wire Service (#2 3-WIRE SERVICE)		
SUK7-LH	Install	0	1	OH-UG SERVICE GUTTER - LH		
SUM5012H	Install	1	70	SUM5012H - Conduit ((1) 2" HDPE CONDUIT)		
SUR2-3	Install	1	70	SUR2-3 (SECONDARY TRENCH)		
XSUM8	Install	0	1	XSUM8 (SERVICE CONVERSION)		
2 TPX Service	Remove	1	66	2 TPX OH SERVICE CONDUCTOR		

Remarks:

**Structure:** 13AB. SL 2819

<u>Assembly Unit</u>	<u>Activity</u>	<u>#Cond</u>	<u>Qty</u>	<u>Unit Description</u>	Complete	Qty
6/2 UF	Install	1	97	#6 DB 2 WIRE STREETLIGHT CNDCT		
SL5AL	Install	0	1	LED STREET LIGHT, 150W HPS EQ		
SM52-3	Install	0	1	SM52-3 (POLE NUMBER)		
SUM5011.5H	Install	1	97	(1) 1.5" HDPE CONDUIT		
SUR2-3	Install	1	97	SUR2-3 (SECONDARY TRENCH)		

Remarks:

**Structure:** 13B. PED 3419

<u>Assembly Unit</u>	<u>Activity</u>	<u>#Cond</u>	<u>Qty</u>	<u>Unit Description</u>	Complete	Qty
4/0 RIBB Secondary	Install	1	226	4/0 3-WIRE SECONDARY		
SHUR2-3	Install	1	10	SHUR2-3 (SECONDARY TRENCH - HAND DIG)		
SUK5	Install	0	1	SUK5 (Secondary Assembly Underground Cable)		
SUM5012H	Install	1	226	SUM5012H - Conduit ((1) 2" HDPE CONDUIT)		
SUM6-32	Install	0	9	SUM6-32 (SECONDARY UG SPLICE)		
SUME290S3	Install	0	1	SUME290S3 (2" RSC 90 36")		
SUK5	Remove	0	1	SUK5 (Secondary Assembly Underground Cable)		
4/0 RIBB Secondary	Abandon	1	126	4/0 3-WIRE SECONDARY		

Remarks: DAISY-CHAINED PEDESTAL. COMMON BORE WITH WL 13A. PED 3119.

**Structure:** 13C. PED 3819

<u>Assembly Unit</u>	<u>Activity</u>	<u>#Cond</u>	<u>Qty</u>	<u>Unit Description</u>	Complete	Qty
4/0 RIBB Secondary	Install	1	96	4/0 3-WIRE SECONDARY		
SHUR2-3	Install	1	10	SHUR2-3 (SECONDARY TRENCH - HAND DIG)		
SUK5	Install	0	1	SUK5 (Secondary Assembly Underground Cable)		
SUM5012H	Install	1	96	SUM5012H - Conduit ((1) 2" HDPE CONDUIT)		
SUM6-32	Install	0	9	SUM6-32 (SECONDARY UG SPLICE)		
SUME290S3	Install	0	1	SUME290S3 (2" RSC 90 36")		
SUK5	Remove	0	1	SUK5 (Secondary Assembly Underground Cable)		
4/0 RIBB Secondary	Abandon	1	96	4/0 3-WIRE SECONDARY		

Remarks: DAISY-CHAINED PEDESTAL. COMMON BORE WITH WL 13A. PED 3119. HAND DIG TO INTERCEPT EXISTING FACILITIES. SPLICE AND EXTEND EXISTING UG SERVICES TO NEW PED.

**Structure:** 13D. PED 4619

<u>Assembly Unit</u>	<u>Activity</u>	<u>#Cond</u>	<u>Qty</u>	<u>Unit Description</u>	Complete	Qty
STAG-1	Install	0	1	STAG-1 (SECONDARY CABLE TAGS)		
SUK5	Install	0	1	SUK5 (Secondary Assembly Underground Cable)		
STAG-1	Remove	0	1	STAG-1 (SECONDARY CABLE TAGS)		
SUK5	Remove	0	1	SUK5 (Secondary Assembly Underground Cable)		

Remarks: RETAG CABLES WITH NEW PAD NUMBER.

Chugach Electric Association	Designer/Project Engineer	_____	Date	___/___/___
5601 Electron Drive	Checker	_____	Date	___/___/___
Anchorage, AK 99518	Manager/Supervisor	_____	Date	___/___/___

Project: E2314213

Design: AERO ACRES SUBD OH/UG

In Design

AERO ACRES

Grid: 1726

**Structure: 14. POLE 4631**

Assembly Unit	Activity	#Cond	Qty	Unit Description	Complete	Qty
A7	Remove	0	1	A7 (XARM SINGLE DEADEND)		
J11	Remove	0	1	J11 (SECONDARY DEADEND)		
M5-5	Remove	0	4	M5-5 (CROSSARM PIN)		
POLE40/2	Remove	0	1	POLE40/2 (POLE, 040 CLASS 2)		
SM5-9A	Remove	0	1	SM5-9A (CUTOUT ASSEMBLY NON LB XARM MT)		
SM5-9A	Remove	0	1	SM5-9A (CUTOUT ASSEMBLY NON LB XARM MT)		
SUA4	Remove	0	1	SUA4 (DOUBLE SINGLE PHASE RISER)		
SUM6-25A 1 PH	Remove	0	1	SUM6-25A (#2 PRIMARY TERMINATION)		
SUM6-25C 1 PH	Remove	0	1	SUM6-25C (1/0 PRIMARY TERMINATION)		
1/0 CONC	Abandon	1	95	1/0 CONC Wire (1/0 CONCENTRIC PRIMARY)		
2 CONC 1 PH	Abandon	1	95	2 CONC Wire 1 PH (#2 CONCENTRIC PRIMARY)		

Remarks:

**Structure: 15. POLE 3931**

Assembly Unit	Activity	#Cond	Qty	Unit Description	Complete	Qty
4 ACSR 1 PH	Remove	1	183	4 ACSR 1 PH (OH PRIMARY CONDUCTOR)		
4 ACSR Neutral	Remove	1	183	4 ACSR Neutral		
A9-1	Remove	0	1	A9-1 (SINGLE XARM)		
J11	Remove	0	1	J11 (SECONDARY DEADEND)		
POLE40/4	Remove	0	1	POLE40/4 (POLE, 040 CLASS 4)		
SG9-50	Remove	0	1	SG9-50 (XFMR,1PH,50 KVA,1PH, TANGENT)		
SUM5	Remove	0	1	SUM5 (SECONDARY RISER)		
350 RIBB Secondary	Abandon	1	8	350 MCM 3-WIRE SECONDARY		

Remarks: ABANDON #350 RIBB TO WL 02B. PED 3831A (4031). 4" RISER.

**Structure: 15A. PED 4031**

Assembly Unit	Activity	#Cond	Qty	Unit Description	Complete	Qty
SUK5A	Remove	0	1	SUK5A (Secondary Assembly Underground Cable)		
350 RIBB Secondary	Abandon	1	8	350 MCM 3-WIRE SECONDARY		
4/0 RIBB Secondary	Abandon	1	163	4/0 3-WIRE SECONDARY		

Remarks: DAISY-CHAINED PEDESTAL. ABANDON #4/0 RIBB TO WL 02A. PED 4531.

**Structure: 16. POLE 3131**

Assembly Unit	Activity	#Cond	Qty	Unit Description	Complete	Qty
4 ACSR 1 PH	Remove	1	202	4 ACSR 1 PH (OH PRIMARY CONDUCTOR)		
4 ACSR Neutral	Remove	1	202	4 ACSR Neutral		
A8	Remove	0	1	A8 (XARM DOUBLE DEADEND)		
J11	Remove	0	1	J11 (SECONDARY DEADEND)		
POLE40/4	Remove	0	1	POLE40/4 (POLE, 040 CLASS 4)		
SE1-3	Remove	0	1	SE1-3 (DOWN GUY, SINGLE, 10M)		
SF4P	Remove	0	1	SF4P (ANCHOR,PLATE,16M, 3/4" X 8" RO)		
SG9-25	Remove	0	1	SG9-25 (XFMR,1PH,25 KVA,1PH TANGENT)		
SUM5	Remove	0	1	SUM5 (SECONDARY RISER)		
4/0 RIBB Secondary	Abandon	1	5	4/0 3-WIRE SECONDARY		

Remarks: ABANDON #4/0 RIBB TO WL 02C. PED 3031.

**Structure: 17. POLE 2731**

Assembly Unit	Activity	#Cond	Qty	Unit Description	Complete	Qty
6 DPX	Remove	1	138	6 DPX Wire (STREETLIGHT CONDUCTOR)		
6A CWC 1 PH	Remove	1	138	6A CWC 1 PH (OH PRIMARY CONDUCTOR)		
6A CWC Neutral	Remove	1	138	6A CWC Neutral		
A9-1	Remove	0	1	A9-1 (SINGLE XARM)		
J11	Remove	0	1	J11 (SECONDARY DEADEND)		
POLE40/4	Remove	0	1	POLE40/4 (POLE, 040 CLASS 4)		
SL5-AAL	Remove	0	1	LED WOOD POLE STREET LIGHT, 150W HPS EQ		

Remarks: RELOCATE AMI ROUTER R91616B1F TO WL 02CE. SL 2731.

**Structure: 18. POLE 1931**

Assembly Unit	Activity	#Cond	Qty	Unit Description	Complete	Qty
6A CWC 1 PH	Remove	1	170	6A CWC 1 PH (OH PRIMARY CONDUCTOR)		
6A CWC Neutral	Remove	1	170	6A CWC Neutral		
A9-1	Remove	0	1	A9-1 (SINGLE XARM)		
K11C	Remove	0	1	K11C (SERVICE ASSY. POLE TYPE)		
K15C	Remove	0	1	K15C (SRV ASSY. ON EYE NUT)		

Chugach Electric Association 5601 Electron Drive Anchorage, AK 99518	Designer/Project Engineer _____ Date ____/____/____
	Checker _____ Date ____/____/____
	Manager/Supervisor _____ Date ____/____/____

Project: E2314213 Design: AERO ACRES SUBD OH/UG

In Design

AERO ACRES

Grid: 1726

**Structure: 18. POLE 1931**

<u>Assembly Unit</u>	<u>Activity</u>	<u>#Cond</u>	<u>Qty</u>	<u>Unit Description</u>	<u>Complete</u>	<u>Qty</u>
POLE40/4	Remove	0	1	POLE40/4 (POLE, 040 CLASS 4)		
SG9-25	Remove	0	1	SG9-25 (XFMR,1PH,25 KVA,1PH TANGENT)		

Remarks: TOP AND CONVERT TO SERVICE POLE. REFEED FROM WL 03A. PED 1831.

**Structure: 19. POLE 1231**

<u>Assembly Unit</u>	<u>Activity</u>	<u>#Cond</u>	<u>Qty</u>	<u>Unit Description</u>	<u>Complete</u>	<u>Qty</u>
6A CWC 1 PH	Remove	1	209	6A CWC 1 PH (OH PRIMARY CONDUCTOR)		
6A CWC Neutral	Remove	1	209	6A CWC Neutral		
A9-1	Remove	0	1	A9-1 (SINGLE XARM)		
K11C	Remove	0	1	K11C (SERVICE ASSY. POLE TYPE)		
POLE40/4	Remove	0	1	POLE40/4 (POLE, 040 CLASS 4)		
SG9-15	Remove	0	1	SG9-15 (XFMR,1PH,15 KVA, 1PH TANGENT)		
SUM5	Remove	0	1	SUM5 (SECONDARY RISER)		

Remarks:

**Structure: 20. POLE 0531**

<u>Assembly Unit</u>	<u>Activity</u>	<u>#Cond</u>	<u>Qty</u>	<u>Unit Description</u>	<u>Complete</u>	<u>Qty</u>
6A CWC 1 PH	Remove	1	182	6A CWC 1 PH (OH PRIMARY CONDUCTOR)		
6A CWC Neutral	Remove	1	182	6A CWC Neutral		
A9-1	Remove	0	1	A9-1 (SINGLE XARM)		
POLE40/4	Remove	0	1	POLE40/4 (POLE, 040 CLASS 4)		
SG9-25	Remove	0	1	SG9-25 (XFMR,1PH,25 KVA,1PH TANGENT)		
SUM5	Remove	0	1	SUM5 (SECONDARY RISER)		
SUM5A	Remove	0	1	SECONDARY RISER-EXISTING STANDOFF		
4/0 RIBB Secondary	Abandon	1	3	4/0 3-WIRE SECONDARY		

Remarks: ABANDON #4/0 RIBB TO WL 03B. PED 0431.

**Structure: 21. POLE 0231**

<u>Assembly Unit</u>	<u>Activity</u>	<u>#Cond</u>	<u>Qty</u>	<u>Unit Description</u>	<u>Complete</u>	<u>Qty</u>
6A CWC 1 PH	Remove	1	97	6A CWC 1 PH (OH PRIMARY CONDUCTOR)		
6A CWC Neutral	Remove	1	97	6A CWC Neutral		
A7	Remove	0	1	A7 (XARM SINGLE DEADEND)		
C7	Remove	0	1	C7 (XARM SINGLE DEADEND)		
J11	Remove	0	1	J11 (SECONDARY DEADEND)		
POLE45/1	Remove	0	1	POLE45/1 (POLE, 045 CLASS 1)		
SE1-3	Remove	0	1	SE1-3 (DOWN GUY, SINGLE, 10M)		
SF4P	Remove	0	1	SF4P (ANCHOR,PLATE,16M, 3/4" X 8' RO)		
SM5-9B	Remove	0	1	CUTOUT ASSEMBLY LOAD BREAK XRM MT		
SM5-9B 3 PH	Remove	0	1	CUTOUT ASSEMBLY LOAD BREAK XRM MT 3 PH		
SUC1	Remove	0	1	SUC1 (PRI RISER)		
SUM6-25D 3 PH	Remove	0	1	SUM6-25D (4/0 PRIMARY TERMINATION)		

Remarks: RETIRE 3Ø TO WL 09. POLE 0231.

**Structure: 21A. POLE 9831**

<u>Assembly Unit</u>	<u>Activity</u>	<u>#Cond</u>	<u>Qty</u>	<u>Unit Description</u>	<u>Complete</u>	<u>Qty</u>
POLE40/4	Remove	0	1	POLE40/4 (POLE, 040 CLASS 4)		
SE1-3	Remove	0	1	SE1-3 (DOWN GUY, SINGLE, 10M)		
SE2-3 Material	Remove	0	1	SE2-3 (SPAN GUY, SINGLE, 10M)		
SF4P	Remove	0	1	SF4P (ANCHOR,PLATE,16M, 3/4" X 8' RO)		

Remarks:

**Structure: 22. POLE 2219**

<u>Assembly Unit</u>	<u>Activity</u>	<u>#Cond</u>	<u>Qty</u>	<u>Unit Description</u>	<u>Complete</u>	<u>Qty</u>
A7	Remove	0	1	A7 (XARM SINGLE DEADEND)		
J11	Remove	0	1	J11 (SECONDARY DEADEND)		
POLE40/2	Remove	0	1	POLE40/2 (POLE, 040 CLASS 2)		
SE1-3	Remove	0	1	SE1-3 (DOWN GUY, SINGLE, 10M)		
SF4P	Remove	0	1	SF4P (ANCHOR,PLATE,16M, 3/4" X 8' RO)		
SG10-75	Remove	0	1	SG10-75 (XFMR,1PH,75 KVA,1PH,DEADEND)		
SUM5	Remove	0	1	SUM5 (SECONDARY RISER)		
350 RIBB Secondary	Abandon	1	7	350 MCM 3-WIRE SECONDARY		

Remarks: ABANDON #350 RIBB TO WL 05A. PED 2319. 4" RISER.

Chugach Electric Association 5601 Electron Drive Anchorage, AK 99518	Designer/Project Engineer _____ Date ____/____/____
	Checker _____ Date ____/____/____
	Manager/Supervisor _____ Date ____/____/____

Project: E2314213

Design: AERO ACRES SUBD OH/UG

In Design

AERO ACRES

Grid: 1726

**Structure: 22A. POLE 2919**

<u>Assembly Unit</u>	<u>Activity</u>	<u>#Cond</u>	<u>Qty</u>	<u>Unit Description</u>	<u>Complete</u>	<u>Qty</u>
2 TPX Secondary	Remove	1	172	2 TPX OH SECONDARY CONDUCTOR		
J10	Remove	0	1	J10 (SECONDARY ASSY.)		
POLE40/2	Remove	0	1	POLE40/2 (POLE, 040 CLASS 2)		
SL5-AAL	Remove	0	1	LED WOOD POLE STREET LIGHT, 150W HPS EQ		

Remarks:

**Structure: 23. POLE 1619**

<u>Assembly Unit</u>	<u>Activity</u>	<u>#Cond</u>	<u>Qty</u>	<u>Unit Description</u>	<u>Complete</u>	<u>Qty</u>
6A CWC 1 PH	Remove	1	180	6A CWC 1 PH (OH PRIMARY CONDUCTOR)		
6A CWC Neutral	Remove	1	180	6A CWC Neutral		
A9-1	Remove	0	1	A9-1 (SINGLE XARM)		
K11C	Remove	0	1	K11C (SERVICE ASSY. POLE TYPE)		
POLE40/4	Remove	0	1	POLE40/4 (POLE, 040 CLASS 4)		
SG9-25	Remove	0	1	SG9-25 (XFMR,1PH,25 KVA,1PH TANGENT)		
SK16	Remove	0	2	SK16 (SERVICE ASSY.)		
SUM5	Remove	0	1	SUM5 (SECONDARY RISER)		

Remarks:

**Structure: 24. POLE 0919**

<u>Assembly Unit</u>	<u>Activity</u>	<u>#Cond</u>	<u>Qty</u>	<u>Unit Description</u>	<u>Complete</u>	<u>Qty</u>
4/0 RIBB Secondary	Remove	1	6	4/0 3-WIRE SECONDARY		
6A CWC 1 PH	Remove	1	179	6A CWC 1 PH (OH PRIMARY CONDUCTOR)		
6A CWC Neutral	Remove	1	179	6A CWC Neutral		
A9-1	Remove	0	1	A9-1 (SINGLE XARM)		
POLE40/4	Remove	0	1	POLE40/4 (POLE, 040 CLASS 4)		
SG9-25	Remove	0	1	SG9-25 (XFMR,1PH,25 KVA,1PH TANGENT)		
SUM5	Remove	0	1	SUM5 (SECONDARY RISER)		
SUM5012P	Remove	1	6	SUM5012P - Conduit ((1) 2" PVC CONDUIT)		

Remarks: ABANDON #4/0 RIBB TO WL 06A. PED 1019.

**Structure: 25. POLE 0219**

<u>Assembly Unit</u>	<u>Activity</u>	<u>#Cond</u>	<u>Qty</u>	<u>Unit Description</u>	<u>Complete</u>	<u>Qty</u>
6A CWC 1 PH	Remove	1	190	6A CWC 1 PH (OH PRIMARY CONDUCTOR)		
6A CWC 3 PH	Remove	3	330	6A CWC 3 PH (OH PRIMARY CONDUCTOR)		
6A CWC Neutral	Remove	1	330	6A CWC Neutral		
6A CWC Neutral	Remove	1	190	6A CWC Neutral		
A7	Remove	0	1	A7 (XARM SINGLE DEADEND)		
C9	Remove	0	1	C9 (XARM DOUBLE SUPPORT)		
K11C	Remove	0	1	K11C (SERVICE ASSY. POLE TYPE)		
POLE45/3	Remove	0	1	POLE45/3 (POLE, 045 CLASS 3)		
SG10-25	Remove	0	1	SG10-25 (XFMR,1PH,25 KVA,1PH,DEADEND)		
SM5-9B	Remove	0	1	CUTOUT ASSEMBLY LOAD BREAK XRM MT		

Remarks: RETIRE 3Ø TO WL 21. POLE 0231.

**Structure: 25A. POLE 9819**

<u>Assembly Unit</u>	<u>Activity</u>	<u>#Cond</u>	<u>Qty</u>	<u>Unit Description</u>	<u>Complete</u>	<u>Qty</u>
POLE40/4	Remove	0	1	POLE40/4 (POLE, 040 CLASS 4)		
SE1-3	Remove	0	1	SE1-3 (DOWN GUY, SINGLE, 10M)		
SE2-3 Material	Remove	0	1	SE2-3 (SPAN GUY, SINGLE, 10M)		
SF4P	Remove	0	1	SF4P (ANCHOR,PLATE,16M, 3/4" X 8' RO)		

Remarks:

**Structure: 26. POLE 1507**

<u>Assembly Unit</u>	<u>Activity</u>	<u>#Cond</u>	<u>Qty</u>	<u>Unit Description</u>	<u>Complete</u>	<u>Qty</u>
A7	Remove	0	1	A7 (XARM SINGLE DEADEND)		
J10	Remove	0	3	J10 (SECONDARY ASSY.)		
POLE40/2	Remove	0	1	POLE40/2 (POLE, 040 CLASS 2)		
SG10-75	Remove	0	1	SG10-75 (XFMR,1PH,75 KVA,1PH,DEADEND)		
SUM5	Remove	0	1	SUM5 (SECONDARY RISER)		
4/0 RIBB Secondary	Abandon	1	9	4/0 3-WIRE SECONDARY		

Remarks: (3) J10 USED FOR BROADBACK CLEVIS RETIREMENT. ABANDON #4/0 RIBB TO WL 08A. PED 1406 (1507A).

Chugach Electric Association	Designer/Project Engineer	_____	Date	___/___/___
5601 Electron Drive	Checker	_____	Date	___/___/___
Anchorage, AK 99518	Manager/Supervisor	_____	Date	___/___/___

Project: E2314213

Design: AERO ACRES SUBD OH/UG

In Design

AERO ACRES

Grid: 1726

**Structure: 26A. POLE 2207**

<u>Assembly Unit</u>	<u>Activity</u>	<u>#Cond</u>	<u>Qty</u>	<u>Unit Description</u>	<u>Complete</u>	<u>Qty</u>
2 TPX Secondary	Remove	1	180	2 TPX OH SECONDARY CONDUCTOR		
J11	Remove	0	1	J11 (SECONDARY DEADEND)		
POLE40/4	Remove	0	1	POLE40/4 (POLE, 040 CLASS 4)		
SE1-3	Remove	0	1	SE1-3 (DOWN GUY, SINGLE, 10M)		
SE2-3 Material	Remove	0	1	SE2-3 (SPAN GUY, SINGLE, 10M)		
SF4P	Remove	0	1	SF4P (ANCHOR,PLATE,16M, 3/4" X 8' RO)		
SK16	Remove	0	2	SK16 (SERVICE ASSY.)		
SUM5A	Remove	0	1	SECONDARY RISER-EXISTING STANDOFF		

Remarks: RISER MOUNTED DIRECTLY TO POLE W/O STANDOFFS.

**Structure: 26AA. PED 2207A**

<u>Assembly Unit</u>	<u>Activity</u>	<u>#Cond</u>	<u>Qty</u>	<u>Unit Description</u>	<u>Complete</u>	<u>Qty</u>
SUK5	Remove	0	1	SUK5 (Secondary Assembly Underground Cable)		
4/0 RIBB Secondary	Abandon	1	6	4/0 3-WIRE SECONDARY		

Remarks:

**Structure: 27. POLE 0706**

<u>Assembly Unit</u>	<u>Activity</u>	<u>#Cond</u>	<u>Qty</u>	<u>Unit Description</u>	<u>Complete</u>	<u>Qty</u>
4/0 RIBB Secondary	Remove	1	10	4/0 3-WIRE SECONDARY		
6A CWC 1 PH	Remove	1	187	6A CWC 1 PH (OH PRIMARY CONDUCTOR)		
6A CWC Neutral	Remove	1	187	6A CWC Neutral		
A9-1	Remove	0	1	A9-1 (SINGLE XARM)		
POLE40/4	Remove	0	1	POLE40/4 (POLE, 040 CLASS 4)		
SG9-25	Remove	0	1	SG9-25 (XFMR,1PH,25 KVA,1PH TANGENT)		
SUM5	Remove	0	1	SUM5 (SECONDARY RISER)		
SUM5012H	Abandon	1	10	SUM5012H - Conduit ((1) 2" HDPE CONDUIT)		

Remarks: RETIRE #4/0 RIBB TO WL 07B. PED 0806.

**Structure: 28. POLE 0207**

<u>Assembly Unit</u>	<u>Activity</u>	<u>#Cond</u>	<u>Qty</u>	<u>Unit Description</u>	<u>Complete</u>	<u>Qty</u>
6A CWC 1 PH	Remove	1	182	6A CWC 1 PH (OH PRIMARY CONDUCTOR)		
6A CWC 3 PH	Remove	3	330	6A CWC 3 PH (OH PRIMARY CONDUCTOR)		
6A CWC Neutral	Remove	1	330	6A CWC Neutral		
6A CWC Neutral	Remove	1	182	6A CWC Neutral		
A7	Remove	0	1	A7 (XARM SINGLE DEADEND)		
C9-1	Remove	0	1	C9-1 (XARM SINGLE SUPPORT)		
J11	Remove	0	1	J11 (SECONDARY DEADEND)		
POLE45/3	Remove	0	1	POLE45/3 (POLE, 045 CLASS 3)		
SG39-25	Remove	0	1	SG39-25 (XFMR,1PH,25 KVA, 3PH, TANGENT)		
SM5-9A	Remove	0	1	SM5-9A (CUTOUT ASSEMBLY NON LB XARM MT)		

Remarks: RETIRE 3Ø TO WL 25. POLE 0219.

**Structure: 28A. POLE 9807**

<u>Assembly Unit</u>	<u>Activity</u>	<u>#Cond</u>	<u>Qty</u>	<u>Unit Description</u>	<u>Complete</u>	<u>Qty</u>
POLE40/2	Remove	0	1	POLE40/2 (POLE, 040 CLASS 2)		
SE1-3	Remove	0	1	SE1-3 (DOWN GUY, SINGLE, 10M)		
SE2-3 Material	Remove	0	1	SE2-3 (SPAN GUY, SINGLE, 10M)		
SF4P	Remove	0	1	SF4P (ANCHOR,PLATE,16M, 3/4" X 8' RO)		

Remarks:

**Structure: 29. POLE 0201**

<u>Assembly Unit</u>	<u>Activity</u>	<u>#Cond</u>	<u>Qty</u>	<u>Unit Description</u>	<u>Complete</u>	<u>Qty</u>
6 DPX	Remove	1	174	6 DPX Wire (STREETLIGHT CONDUCTOR)		
6A CWC 3 PH	Remove	3	174	6A CWC 3 PH (OH PRIMARY CONDUCTOR)		
6A CWC Neutral	Remove	1	174	6A CWC Neutral		
J11	Remove	0	1	J11 (SECONDARY DEADEND)		
M5-5	Remove	0	4	M5-5 (CROSSARM PIN)		
POLE45/1	Remove	0	1	POLE45/1 (POLE, 045 CLASS 1)		
SC7-1	Remove	0	1	SC7-1 (XARM SINGLE DEADEND)		
SC7-1	Remove	0	1	SC7-1 (XARM SINGLE DEADEND)		
SE1-5	Remove	0	1	SE1-5 (DOWN GUY, SINGLE, 16M)		
SF4PL	Remove	0	1	SF4PL (ANCHOR, ROD TW EYE 1" X10')		
SL5-AAL	Remove	0	1	LED WOOD POLE STREET LIGHT, 150W HPS EQ		

Chugach Electric Association 5601 Electron Drive Anchorage, AK 99518	Designer/Project Engineer _____ Date ____/____/____
	Checker _____ Date ____/____/____
	Manager/Supervisor _____ Date ____/____/____

Project: E2314213

Design: AERO ACRES SUBD OH/UG

In Design

AERO ACRES

Grid: 1726

Remarks:

**Structure: 30. POLE 9801**

<u>Assembly Unit</u>	<u>Activity</u>	<u>#Cond</u>	<u>Qty</u>	<u>Unit Description</u>	<u>Complete</u>	<u>Qty</u>
6A CWC 3 PH	Remove	3	60	6A CWC 3 PH (OH PRIMARY CONDUCTOR)		
6A CWC Neutral	Remove	1	60	6A CWC Neutral		
C7-1	Remove	0	1	C7-1 (XARM SINGLE DEADEND)		
M5-5	Remove	0	3	M5-5 (CROSSARM PIN)		
POLE45/1	Remove	0	1	POLE45/1 (POLE, 045 CLASS 1)		
SE1-5	Remove	0	1	SE1-5 (DOWN GUY, SINGLE, 16M)		
SF4P	Remove	0	1	SF4P (ANCHOR,PLATE,16M, 3/4" X 8' RO)		
SM5-9B 3 PH	Remove	0	1	CUTOUT ASSEMBLY LOAD BREAK XRM MT 3 PH		
SUC1	Remove	0	1	SUC1 (PRI RISER)		
SUM6-25D 3 PH	Remove	0	1	SUM6-25D (4/0 PRIMARY TERMINATION)		

Remarks:

**Structure: 31. REPEAT SC 89**

<u>Assembly Unit</u>	<u>Activity</u>	<u>#Cond</u>	<u>Qty</u>	<u>Unit Description</u>	<u>Complete</u>	<u>Qty</u>
SUM6-25D 3 PH	Remove	0	1	SUM6-25D (4/0 PRIMARY TERMINATION)		
4/0 CONC	Abandon	3	153	4/0 CONC Wire (4/0 CONCENTRIC PRIMARY)		

Remarks:

**Structure: 32. JB 4944**

<u>Assembly Unit</u>	<u>Activity</u>	<u>#Cond</u>	<u>Qty</u>	<u>Unit Description</u>	<u>Complete</u>	<u>Qty</u>
STAG-2	Install	0	1	STAG-2 (PRIMARY CABLE TAG)		
SUM6-10	Install	0	1	SUM6-10 (200A BUSHING CAP)		
SUM6-15	Install	0	1	SUM6-15 (200A PARKING STAND)		
STAG-2	Remove	0	1	STAG-2 (PRIMARY CABLE TAG)		
SUM1C	Existing	0	1	SUM1C (CONCRETE PAD 1 PH JUNCTION BOX)		
SUM3A	Existing	0	1	SUM3A (1 PH JUNCTION BOX)		

Remarks: RELABEL CABLE GOING SOUTH TO WL 01. JB 4931. NEW NORMAL OPEN ON WESTERN FEED.

**Structure: 33. SC 576**

<u>Assembly Unit</u>	<u>Activity</u>	<u>#Cond</u>	<u>Qty</u>	<u>Unit Description</u>	<u>Complete</u>	<u>Qty</u>
STAG-2	Install	0	1	STAG-2 (PRIMARY CABLE TAG)		
STAG-2	Remove	0	1	STAG-2 (PRIMARY CABLE TAG)		
SUM1F	Existing	0	1	SUM1F (CONCRETE PAD 600 A SWITCH CAB.)		
SUM3-9	Existing	0	1	SUM3-9 (600 A SC 2 FUSES 2 SWITCHES)		

Remarks: RELABEL CABLES IN COMPARTMENT #1 TO WL 04. SC 1229.

**Structure: 34. PM 2**

<u>Assembly Unit</u>	<u>Activity</u>	<u>#Cond</u>	<u>Qty</u>	<u>Unit Description</u>	<u>Complete</u>	<u>Qty</u>
STAG-2	Install	0	1	STAG-2 (PRIMARY CABLE TAG)		
STAG-2	Remove	0	1	STAG-2 (PRIMARY CABLE TAG)		
SUG7-25	Existing	0	1	SUG7-25 (XFMR, PM, 25 KVA, 1 PH, LOOP)		
SUM1	Existing	0	1	SUM1 (CONCRETE PAD 1 PH XFMR)		

Remarks: RELABEL CABLE GOING WEST AND NORTH TO WL 13. PM 4119.

**Structure: 35. JB A**

<u>Assembly Unit</u>	<u>Activity</u>	<u>#Cond</u>	<u>Qty</u>	<u>Unit Description</u>	<u>Complete</u>	<u>Qty</u>
SUM6-10	Remove	0	1	SUM6-10 (200A BUSHING CAP)		
SUM6-15	Remove	0	1	SUM6-15 (200A PARKING STAND)		
SUM1C	Existing	0	1	SUM1C (CONCRETE PAD 1 PH JUNCTION BOX)		
SUM3A	Existing	0	1	SUM3A (1 PH JUNCTION BOX)		

Remarks: CLOSE NORMAL OPEN.

Chugach Electric Association	Designer/Project Engineer	_____	Date	___/___/___
5601 Electron Drive	Checker	_____	Date	___/___/___
Anchorage, AK 99518	Manager/Supervisor	_____	Date	___/___/___

Manufacturer:

Model:

S & C

PMH 9

SC 576

Serial Number:

Manufactured Date:

Notes:

REVISED 12/22/09 BY  
R. WILLIS E9911691

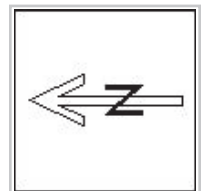
Revised Date:

05/19/26

Revised WO/JO:

E2314213

DIRECTION  
(Reference  
to North)



CONDUCTOR TO:

#1/0 CONC NORTH TO PM  
0265

VACANT

#1/0 CONC EAST TO PM 0756

#4/0 CONC EAST TO PM 3259

#4/0 CONC EAST TO PM 3259

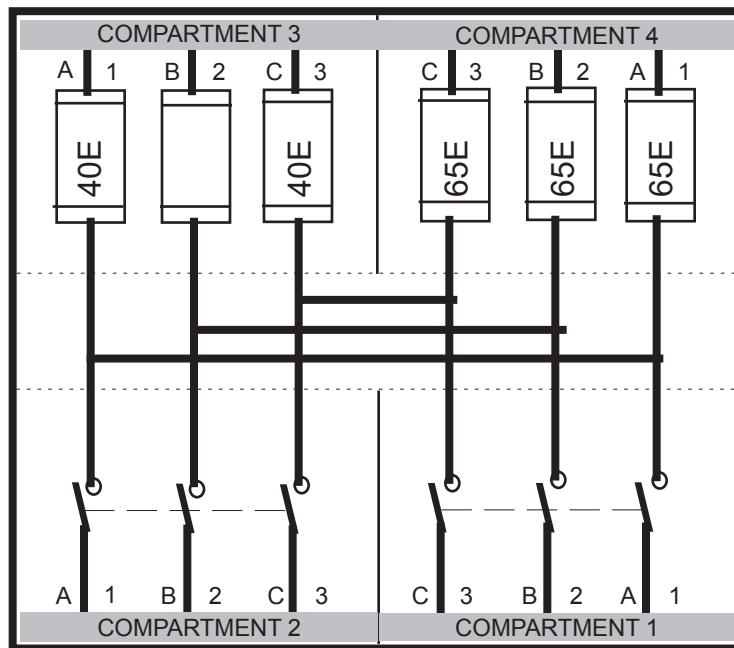
#4/0 CONC EAST TO PM 3259

Switch #:

13462

Status:

CLOSED



Switch #:

13461

Status:

OPEN

CONDUCTOR TO:

#4/0 CONC NORTH TO SC  
588, CMPT #1

#4/0 CONC NORTH TO SC  
588, CMPT #1

#4/0 CONC NORTH TO SC  
588, CMPT #1

#4/0 CONC SOUTH TO SC  
1229, CMPT #2

#4/0 CONC SOUTH TO SC  
1229, CMPT #2

#4/0 CONC SOUTH TO SC  
1229, CMPT #2

FEEDER: TNSS 112

Fault Indicators Installed In  
Compartments:

Fuse Holder Type:

SML 4Z

Spare Fuse Holder

Installed:

N



LOCATION

EAST SIDE OF AERO AVE.,  
NORTH OF W 40TH AVE. IN  
BROADMOOR ESTATES.

Inspected by:

MIKE ARNOLD

Install Date:

08/04/95

Install Work

E9410946

Order ID:

Feeder:

TNSS 132

Grid Map Location No.: 1726 - 0156

Manufacturer:

Model:

S & C

PMH 9

SC 89

Serial Number:

Manufactured Date:

Notes:

REVISED 09/03/14 BY  
V. KRIVONOSOV  
E1113224

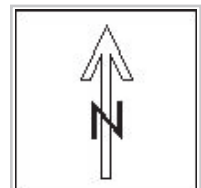
Revised Date:

05/19/26

Revised WO/JO:

E2314213

DIRECTION  
(Reference  
to North)



TO:  
CONDUCTOR

VACANT

VACANT

#1/0 CONC EAST THEN  
NORTH TO PM 1806

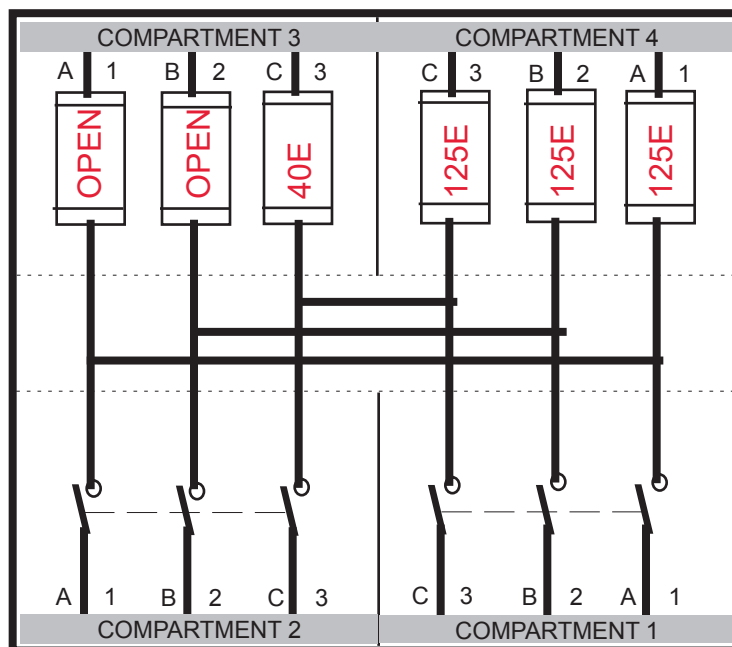
#4/0 CONC EAST THEN  
NORTH TO SC 1229, CMPT #1

#4/0 CONC EAST THEN  
NORTH TO SC 1229, CMPT #1

#4/0 CONC EAST THEN  
NORTH TO SC 1229, CMPT #1

Switch #: 01298

Status: CLOSED



Switch #: 01297

Status: CLOSED

TO:  
CONDUCTOR

#750 CONC NORTH TO SC  
427, CMPT #2

#750 CONC NORTH TO SC  
427, CMPT #2

#750 CONC NORTH TO SC  
427, CMPT #2

#750 CONC EAST TO SC  
1013, CMPT #1

#750 CONC EAST TO SC  
1013, CMPT #1

#750 CONC EAST TO SC  
1013, CMPT #1

Fault Indicators Installed In  
Compartments:

1

Fuse Holder Type:

SML 4Z

Spare Fuse Holder  
Installed:

Y



LOCATION

EAST SIDE OF LAKESHORE  
DRIVE INSIDE THE AIRPORT  
FENCE. 1304-27D

Inspected by:

Install Date:

Install Work  
Order ID:

8311

Feeder:

TNSS 112

Grid Map Location No.: 1825 - 9401

Manufacturer:

Model:

S & C

PMH 9

SC 1229

Serial Number:

Manufactured Date:

Notes:

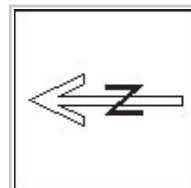
Revised Date:

05/19/26

Revised WO/JO:

E2314213

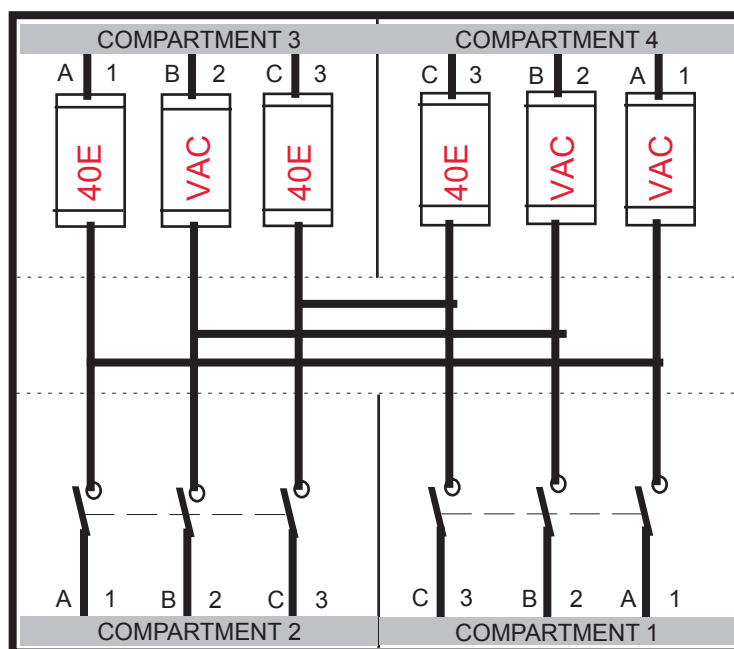
DIRECTION  
(Reference  
to North)



CONDUCTOR TO:

#1/0 CONC NORTH TO  
PM 2344 VIA PP 0144.  
VACANT  
#1/0 CONC EAST TO PM 1131.

#1/0 CONC SOUTH, THEN  
EAST TO PM 1419.  
VACANT  
VACANT



Switch #: 15035

Status: CLOSED

Switch #: 15034

Status: CLOSED

CONDUCTOR TO:

#4/0 CONC NORTH TO SC  
576, CMPT #1  
#4/0 CONC NORTH TO SC  
576, CMPT #1  
#4/0 CONC NORTH TO SC  
576, CMPT #1

#4/0 CONC SOUTH, THEN  
WEST TO SC 89, CMPT #4.  
#4/0 CONC SOUTH, THEN  
WEST TO SC 89, CMPT #4.  
#4/0 CONC SOUTH, THEN  
WEST TO SC 89, CMPT #4.

Fault Indicators Installed In  
Compartments:

Fuse Holder Type:

SML 20

Spare Fuse Holder  
Installed:



LOCATION

AERO AVE. BETWEEN 41ST.  
AND 42ND AVE.

Inspected by:

Install Date:

Install Work  
Order ID:

E2314213

Feeder:

TNSS 112

Grid Map Location No.:

1726 - 0131

MATERIAL ISSUE TICKET

Project : E2314213

AERO ACRES

In Design

Work Request: E2314213

Design : AERO ACRES

SUBD OH/UG

Capital Account: 10720/000/03/7665  
 Reimbursible Account: / / /  
 Retirement Account: 10880/326/03/7665

Description	Part Number	Quantity Orderd	Issued
<b>Inventory</b>			
WIRE, AL JCN 15KV #4/0	000000343	730	_____
WIRE, AL JCN 15KV #002 NOT STRAND F.	000000344	25	_____
WIRE, AL JCN 15KV #1/0	000000352	5,844	_____
WIRE, AL URD SERVICE #006-2 (SL)(CLAFLIN)	000000367	564	_____
WIRE, AL URD SVC #4/0 2/0 4/0(SWEETBRIAR)	000000368	2,258	_____
WIRE, AL URD SERVICE #2 2 2 (RAMAPO)	000000372	1,208	_____
WIRE, AL URD SVC #2/0 1 2/0 (CONVERSE)	000000373	1,099	_____
WIRE, CU SDB #004 STR	000000375	165	_____
WIRE, CU SDB #4/0 STR (19 STR.)	000000378	50	_____
DEAD-END, D.E. SVC WEDGE 04-1/0	000000878	2	_____
CONNECTOR, CONNECTOR,SC EQUIPMENT GROUND,4/0 AWG	000001451	4	_____
LUG, COMP LUG AL 2H #1/0	000001509	4	_____
LUG, COMP LUG AL 2H #4/0	000001513	9	_____
FASTENER, CLAMP GROUND ROD 3/4"	000001532	10	_____
FASTENER, CLAMP, GROUND ROD, 4/0 AWG	000001533	2	_____
CONNECTOR, UG CONN PED 6 POS SET SCREW	000001583	28	_____
CONNECTOR, UG CONN PED NEUTRAL SET SCREW	000001589	14	_____
CONNECTOR, UG CONN BLOCK XFMR NEUT 05/8" STUD SET SCREW	000001592	7	_____
CONNECTOR, UG CONN BLOCK XFMR SEC 6 POS SET SCREW	000001601	14	_____
FUSE, S&C 14.4 SMU-20 125E	000001705	3	_____
FUSE, S&C 14.4 SMU-20 040E	000001707	4	_____
FUSE, S&C END FITTING SML-20	000001709	7	_____
CABINET, J BOX 1 PHASE 08/15KV W/INSERTS	000002200	1	_____
CABINET, SWITCH PMH-09 (600A) 15KV	000002421	1	_____
LAMP, LUMINAIRE 54W LED	000003437	2	_____
PAD, CONC. SUM1 1 PHASE XFMR PAD, J-BOX	000003742	7	_____
PAD, CONC. SUM1-C 1 PHASE J-BOX	000003744	1	_____
PAD, CONC. SUM1-F 600A SW CABINET 15KV	000003746	1	_____
LINE, UG PEDESTAL FIBERGLASS	000003759	14	_____
POLE, ST LT STEEL WITH 6' ARM	000003862	2	_____
LINE, GROUND ROD 3/4" X 8'	000004067	12	_____
CONDUIT, HDPE 2"	000004161	14,519	_____
CONDUIT, GRC EL 90 DEG 2" 36" RADI	000004165	62	_____
CONDUIT, FG EL 90 DEGREE 4" 60" RADI	000004170	6	_____
CONDUIT, PVC EL 90 DEG 2" 24" RADI	000004176	4	_____
CONDUIT, FG EL 45 DEGREE 4" 48" RADI	000004183	6	_____
CONDUIT, FG EL 45 DEG 6" 60" RADI	000004185	2	_____
PAD, CONC. GUARD POST 9'	000004186	1	_____
KIT, PRIMARY SPLICE JACKET KIT #02-4/0	000004506	1	_____
KIT, PRIMARY SPLICE 15KV #02-1/0 JCN	000004508	1	_____
KIT, PRIMARY TERM 15KV #02-1/0 JCN	000004767	4	_____
KIT, PRIMARY TERM 15KV 3/0-350MCM JCN	000004772	9	_____
UG ACCES 08/15KV ELBOW TERM #02	000004784	1	_____
UG ACCES 08/15KV ELBOW TERM #1/0	000004785	15	_____
BUSHING, UG ACCES 08/15KV INSERT BSHG CAP	000004793	4	_____
TRANSFORMER, 0025 KVA PM 1/PH 07.2/12.4 120/240	000004907	6	_____

Control Number \_\_\_\_\_

Legal Description \_\_\_\_\_

Charge for Materials Yes \_\_\_ No \_\_\_ Sale \_\_\_

P.O. No. \_\_\_\_\_

Issued By \_\_\_\_\_ Received By \_\_\_\_\_

Date \_\_\_/\_\_\_/\_\_\_

Contractor \_\_\_\_\_

Special Notes:

Project : E2314213  
 Work Request: E2314213

AERO ACRES

**In Design**

Capital Account: 10720/000/03/7665  
 Reimbursible Account: / / /  
 Retirement Account: 10880/326/03/7665

Design : AERO ACRES  
 SUBD OH/UG

<u>Description</u>	<u>Part Number</u>	<u>Quantity Orderd</u>	<u>Issued</u>
TRANSFORMER, 0050 KVA PM 1/PH 07.2/12.4 120/240	000004909		1 _____
BUSHING, UG ACCES 08/15KV PARKING STAND	000005227		3 _____
CONDUIT, HDPE 4"	0000011877	3,151	_____
CONDUIT, HDPE 6"	0000011888	440	_____
SHRINK, CABLE SEALER COLD SHRINK 2-4/0	0000012084		16 _____
CONDUIT, HDPE 1-1/2"	0000015389	107	_____
PAD, CONC. GUARD POST COVER	0000015824		1 _____
PHOTOCELL	0000017096		2 _____
OH-UG METER BASE ADAPTER WIREWAY, R.H.	M33010		8 _____
OH-UG METER BASE ADAPTER WIREWAY, L.H.	M33015		9 _____

**Non-Inventory**

BLUE & GREEN CEA DECAL NON INV	0000010321		24 _____
GROUND CLAMP SC & JB NEED #	0000010597		2 _____
MR. OUCH "DANGER" DECAL	0000010610		1 _____
PADLOCKS	0000010613		4 _____
WARNING DECAL NON-INV	0000010656		15 _____
WEDGE ANCHOR .5 X 2.75 NON-INV	0000010657		22 _____

Remarks:

Control Number \_\_\_\_\_

Legal Description \_\_\_\_\_

Charge for Materials Yes \_\_\_ No \_\_\_ Sale \_\_\_

P.O. No. \_\_\_\_\_

Issued By \_\_\_\_\_ Received By \_\_\_\_\_

Date \_\_\_\_/\_\_\_\_/\_\_\_\_

Contractor \_\_\_\_\_

Special Notes:

**Joshua Shafer**

**From:** peoplesoft@chugachelectric.com  
**Sent:** Friday, March 20, 2026 12:18 PM  
**To:** Joshua Shafer  
**Cc:** Warehouse Order Notification  
**Subject:** SOUTH District / INOAC, ArcFM Designer Order Submitted: DSN12880\_2

**SOUTH District / INOAC**, Order DSN12880\_2 submitted on 20-MAR-26 by JOSHUAS.

Account: 10720-000-03-7665

Project: E2314213-GENERAL

Number of Lines: 63

[Open Order in PeopleSoft](#)

Order	Line	Item	Qty	UOM	Descr
DSN12880_2	1	0000000322	3	EA	FASTENER, BRACKET CONDUIT STANDOFF
DSN12880_2	2	0000000323	1	EA	FASTENER, BRACKET CONDUIT STANDOFF W/BRACE
DSN12880_2	3	0000000343	730	EA	WIRE, AL JCN 15KV #4/0
DSN12880_2	4	0000000344	25	EA	WIRE, AL JCN 15KV #002 NOT STRAND F.
DSN12880_2	5	0000000352	5844	EA	WIRE, AL JCN 15KV #1/0
DSN12880_2	6	0000000367	564	EA	WIRE, AL URD SERVICE #006-2 (SL)(CLAFLIN)
DSN12880_2	7	0000000368	2323	EA	WIRE, AL URD SVC #4/0 2/0 4/0(SWEETBRIAR)
DSN12880_2	8	0000000372	1208	EA	WIRE, AL URD SERVICE #2 2 2 (RAMAPO)
DSN12880_2	9	0000000373	1015	EA	WIRE, AL URD SVC #2/0 1 2/0 (CONVERSE)
DSN12880_2	10	0000000375	165	EA	WIRE, CU SDB #004 STR
DSN12880_2	11	0000000378	50	EA	WIRE, CU SDB #4/0 STR (19 STR.)
DSN12880_2	12	0000000878	3	EA	DEAD-END, D.E. SVC WEDGE 04-1/0
DSN12880_2	13	0000000950	1	EA	CLEVIS, SWINGING 3"
DSN12880_2	14	0000001451	4	EA	CONNECTOR,SC EQUIPMENT GROUND,4/0 AWG
DSN12880_2	15	0000001509	4	EA	LUG, COMP LUG AL 2H #1/0
DSN12880_2	16	0000001513	9	EA	LUG, COMP LUG AL 2H #4/0
DSN12880_2	17	0000001532	10	EA	FASTENER, CLAMP GROUND ROD 3/4"
DSN12880_2	18	0000001533	2	EA	FASTENER, CLAMP, GROUND ROD, 4/0 AWG
DSN12880_2	19	0000001583	28	EA	CONNECTOR, UG CONN PED 6 POS SET SCREW
DSN12880_2	20	0000001589	14	EA	CONNECTOR, UG CONN PED NEUTRAL SET SCREW
DSN12880_2	21	0000001592	7	EA	CONNECTOR, UG CONN BLOCK XFMR NEUT 05/8" STUD SET
DSN12880_2	22	0000001601	14	EA	CONNECTOR, UG CONN BLOCK XFMR SEC 6 POS SET SCREW
DSN12880_2	23	0000001705	3	EA	FUSE, S&C 14.4 SMU-20 125E
DSN12880_2	24	0000001707	4	EA	FUSE, S&C 14.4 SMU-20 040E
DSN12880_2	25	0000001709	7	EA	FUSE, S&C END FITTING SML-20
DSN12880_2	26	0000002200	1	EA	CABINET, J BOX 1 PHASE 08/15KV W/INSERTS
DSN12880_2	27	0000002421	1	EA	CABINET, SWITCH PMH-09 (600A) 15KV
DSN12880_2	28	0000003311	1	EA	CLEVIS, SPOOL 3"
DSN12880_2	29	0000003437	2	EA	LAMP, LUMINAIRE 54W LED (HWY)
DSN12880_2	30	0000003742	7	EA	PAD, CONC. SUM1 1 PHASE XFMR PAD, J-BOX
DSN12880_2	31	0000003744	1	EA	PAD, CONC. SUM1-C 1 PHASE J-BOX
DSN12880_2	32	0000003746	1	EA	PAD, CONC. SUM1-F 600A SW CABINET 15KV
DSN12880_2	33	0000003759	14	EA	LINE, UG PEDESTAL FIBERGLASS
DSN12880_2	34	0000003862	2	EA	POLE, ST LT STEEL WITH 6' ARM

DSN12880_2	35	0000004067	12	EA	LINE, GROUND ROD 3/4" X 8'
DSN12880_2	36	0000004149	10	EA	CONDUIT, GRC 2"
DSN12880_2	37	0000004154	20	EA	CONDUIT, PVC 2"
DSN12880_2	38	0000004161	14495	EA	CONDUIT, HDPE 2"
DSN12880_2	39	0000004164	1	EA	CONDUIT, GRC EL 90 DEG 2" 24" RADI
DSN12880_2	40	0000004165	62	EA	CONDUIT, GRC EL 90 DEG 2" 36" RADI
DSN12880_2	41	0000004170	6	EA	CONDUIT, FIBERGLASS ELBOW 90 DEGREE 4" 60" RADIUS
DSN12880_2	42	0000004176	4	EA	CONDUIT, PVC EL 90 DEG 2" 24" RADI
DSN12880_2	43	0000004183	6	EA	CONDUIT, FIBERGLASS ELBOW 45 DEGREE 4" 48" RADIUS
DSN12880_2	44	0000004185	2	EA	CONDUIT, FIBERGLASS ELBOW 45 DEG 6" 60" RADI
DSN12880_2	45	0000004186	1	EA	PAD, CONC. GUARD POST 9'
DSN12880_2	46	0000004195	2	EA	CONDUIT, CLAMP GROUND 2"
DSN12880_2	47	0000004240	4	EA	CONDUIT, CHANNEL PIPE STRAP 2"
DSN12880_2	48	0000004506	1	EA	KIT, PRIMARY SPLICE JACKET KIT #02-4/0
DSN12880_2	49	0000004508	1	EA	KIT, PRIMARY SPLICE 15KV #02-1/0 JCN
DSN12880_2	50	0000004767	4	EA	KIT, PRIMARY TERM 15KV #02-1/0 JCN
DSN12880_2	51	0000004772	9	EA	KIT, PRIMARY TERM 15KV 3/0-350MCM JCN
DSN12880_2	52	0000004784	1	EA	ELBOW, UG ACCES 08/15KV ELBOW TERM #02
DSN12880_2	53	0000004785	15	EA	ELBOW, UG ACCES 08/15KV ELBOW TERM #1/0
DSN12880_2	54	0000004793	4	EA	BUSHING, UG ACCES 08/15KV INSERT BSHG CAP
DSN12880_2	55	0000004907	6	EA	TRANSFORMER, 0025 KVA PM 1/PH 07.2/12.4 120/240
DSN12880_2	56	0000004909	1	EA	TRANSFORMER, 0050 KVA PM 1/PH 07.2/12.4 120/240
DSN12880_2	57	0000005227	3	EA	BUSHING, UG ACCES 08/15KV PARKING STAND
DSN12880_2	58	0000011877	3151	EA	CONDUIT, HDPE 4" (40 FT STICK)
DSN12880_2	59	0000011888	440	EA	CONDUIT, HDPE 6" (40 FT STICK)
DSN12880_2	60	0000012084	16	EA	SHRINK, CABLE SEALER COLD SHRINK 2-4/0
DSN12880_2	61	0000015389	107	EA	CONDUIT, HDPE 1-1/2"
DSN12880_2	62	0000015824	1	EA	PAD, CONC. GUARD POST COVER
DSN12880_2	63	0000017096	2	EA	LAMP, PHOTOCCELL LED STREET LIGHT 120 V