

Project: E1913870

Design: O'MALLEY SOA ROAD RELOCATION

In Design

O'MALLEY ROAD RELOCATION

Grid: 1929

Structure: (000) GENERAL

Assembly Unit	Activity	#Cond	Qty	Unit Description	Complete	Qty
MANHOURS	Install	0	400	MANHOURS (MANHOUR OF LABOR)		
R&R	Install	0	1	R&R FENCE/TEMP (R&R FENCE AND TEMP FENCE)		
SR1-16	Install	1	1	SR1-16 (CLEARING, 16' FOR UG LINES)		
SR1-8	Install	1	1	SR1-8 (CLEARING, 8' FOR UG LINES)		
SUM5012H	Install	1	4,300	SUM5012H - Conduit ((1) 2" HDPE CONDUIT)		

Remarks:

- MANHOURS ARE AT THE INSPECTORS DISCRETION.
- CLEARING IS EXPECTED FOR ALL EXISTING EASEMENTS AND SERVICE RUNS. THE DOT WILL CLEAR IN ANY NEW EASEMENTS AND WITHIN THE DOT ROW.
- FENCE REMOVAL AND REPLACEMENT AS REQUIRED AT THE INSPECTORS DISCRETION.
- INSTALL A 2" HDPE CONDUIT THE ENTIRE LENGTH OF THE JOB FOR CEA COMM DEPARTMENT.
- LANDSCAPING WILL BE COMPLETED BY THE DOT.
- SWPPP WILL BE COVERED BY THE DOT.

Structure: (001) SUBSTATION

Assembly Unit	Activity	#Cond	Qty	Unit Description	Complete	Qty
750 CONC 15KV	Existing	3	200	750 CONC 15KV (WIRE, AL JCN 750MCM EPR)		
750 CONC 15KV	Existing	3	200	750 CONC 15KV (WIRE, AL JCN 750MCM EPR)		
750 CONC 15KV	Existing	3	200	750 CONC 15KV (WIRE, AL JCN 750MCM EPR)		
750 CONC 15KV	Existing	3	200	750 CONC 15KV (WIRE, AL JCN 750MCM EPR)		
SUM5016H	Existing	1	200	SUM5016H - Conduit ((1) 6" HDPE CONDUIT)		
SUM5016H	Existing	1	200	SUM5016H - Conduit ((1) 6" HDPE CONDUIT)		
SUM5016H	Existing	1	200	SUM5016H - Conduit ((1) 6" HDPE CONDUIT)		
SUM5016H	Existing	1	200	SUM5016H - Conduit ((1) 6" HDPE CONDUIT)		

Remarks:

- THE TRANSMISSION DEPARTMENT WILL BE INSTALLING NEW FEEDERS FROM THE SUBSTATION TO VAULT 3503. THESE NEW FEEDERS ARE SHOWN AS EXISTING UNDER THIS WORK ORDER BUT SHOULD BE BUILT CONCURRENTLY WITH THIS WORK ORDER.

Structure: (002) VAULT 3503

Assembly Unit	Activity	#Cond	Qty	Unit Description	Complete	Qty
SHUR2-6	Install	1	50	SHUR2-6 (HAND DIGGING DEEP TRENCH)		
SUM6-28F 3 PH	Install	0	1	SUM6-28F (750 MCM PRIMARY SPLICE)		
SUM6-28F 3 PH	Install	0	1	SUM6-28F (750 MCM PRIMARY SPLICE)		
SUM6-28F 3 PH	Install	0	1	SUM6-28F (750 MCM PRIMARY SPLICE)		
SUM6-28F 3 PH	Install	0	1	SUM6-28F (750 MCM PRIMARY SPLICE)		
SUM6-6	Install	0	4	SUM6-6 (GROUNDING ASSY)		
SUMH-814	Install	0	1	Pull Vault - 8x14x8		
SUMV-1	Install	0	20	CABLE RACK RAO8 & STANCHION		
SUMV-1A	Install	0	32	CABLE RACK RAO8		
XUR2-11C	Install	0	8	XUR2-11C (DRAIN ROCK)		
XUR2-12	Install	0	12	XUR2-12 (EXPORT)		

Remarks:

- INSTALL DRAIN ROCK AS REQUIRED. REFER TO NOTES ON THE COVER PAGE.

Structure: (003) VAULT 6403

Assembly Unit	Activity	#Cond	Qty	Unit Description	Complete	Qty
750 CONC 15KV	Install	3	760	750 CONC 15KV (WIRE, AL JCN 750MCM EPR)		
BORE	Install	1	160	BORE		
SHUR2-5	Install	1	40	SHUR2-5 (PRIMARY TRENCH HAND -DIG)		
SUM5026H	Install	1	760	SUM5026H - Conduit ((2) 6" HDPE CONDUIT)		
SUM6-28F 3 PH	Install	0	1	SUM6-28F (750 MCM PRIMARY SPLICE)		
SUM6-28F 3 PH	Install	0	1	SUM6-28F (750 MCM PRIMARY SPLICE)		
SUM6-6	Install	0	4	SUM6-6 (GROUNDING ASSY)		
SUME630F5	Install	0	8	SUME630F5 (6" FG 30 60")		
SUMH-810	Install	0	1	Pull Vault - 8x10		
SUMV-1	Install	0	10	CABLE RACK RAO8 & STANCHION		
SUMV-1A	Install	0	10	CABLE RACK RAO8		
SUR2-5	Install	1	410	SUR2-5 (PRIMARY TRENCH)		
SUR2-DT	Install	1	50	SUR2-DT (DEEP PRIMARY TRENCH)		
SUR2-ST	Install	1	100	SUR2-ST (VERY DEEP PRIMARY TRENCH)		
XUR2-11C	Install	0	8	XUR2-11C (DRAIN ROCK)		

Chugach Electric Association
 5601 Electron Drive
 Anchorage, AK 99518

Designer/Project Engineer _____ Date ____/____/____
 Checker _____ Date ____/____/____
 Manager/Supervisor _____ Date ____/____/____

Project: E1913870 Design: O'MALLEY SOA ROAD RELOCATION

In Design

O'MALLEY ROAD RELOCATION

Grid: 1929

Structure: (003) VAULT 6403

Assembly Unit	Activity	#Cond	Qty	Unit Description	Complete	Qty
XUR2-12	Install	0	12	XUR2-12 (EXPORT)		

Remarks:

- INSTALL DRAIN ROCK AS REQUIRED. REFER TO NOTES ON THE COVER PAGE.
- DEEP TRENCH PROVIDED TO TRANSITION FROM A STANDARD 4' TRENCH TO A DEEPER TRENCH WHEN ENTERING VAULT 6403.
- SUPER TRENCH PROVIDED FOR EXITING VAULT 3503, ACROSS SUBSTATION DRIVEWAY AND TRANSITION TO A STANDARD 4' TRENCH.
- HAND DIG PROVIDED FOR DIGGING AROUND EXISTING UNDERGROUND.
- SUME630F5 SWEEPS PROVIDED FOR TRENCH ANGLES IF FIELD BENDING IS NOT POSSIBLE.

Structure: (004) POLE 3603 A46B

Assembly Unit	Activity	#Cond	Qty	Unit Description	Complete	Qty
750 CONC 15KV	Install	3	55	750 CONC 15KV (WIRE, AL JCN 750MCM EPR)		
SDC-C1C8	Install	0	1	DOUBLE CIRCUIT TANGENT DOUBLE DEADEND		
SM52-3	Install	0	1	SM52-3 (POLE NUMBER)		
SUC3	Install	0	1	SUC3 (PRI RISER)		
SUM5016FR	Install	0	1	FIRST 10FT SPARE EMPTY 6" FG RISER		
SUM5026H	Install	1	55	SUM5026H - Conduit ((2) 6" HDPE CONDUIT)		
SUM6-25F 3 PH	Install	0	1	SUM6-25F (750 MCM PRIMARY TERMINATION)		
SUME690F5	Install	0	4	SUME690F5 (6" FG 90 60")		
SUR2-5	Install	1	30	SUR2-5 (PRIMARY TRENCH)		

Remarks:

- INSTALL TERMINATION ARM AS AN ALLEY ARM. SEE FRAMING DETAIL ON SHEET 78.
- (2) SUME690F5 SWEEPS FOR TURN FROM COMMON TRENCH SOUTH TO POLE 3603.
- INSTALL DOUBLE DEADEND ON THE SOUTHERN MOST CIRCUIT, 512.
- REFER TO WORK LOCATION 96 FOR THE RETIREMENT AND INSTALLATION OF THE CONDUCTORS.

Structure: (005) POLE 3903 A46A

Assembly Unit	Activity	#Cond	Qty	Unit Description	Complete	Qty
750 CONC 15KV	Install	3	120	750 CONC 15KV (WIRE, AL JCN 750MCM EPR)		
SDC-C7A	Install	0	1	SDC-C7A (DOUBLE CIRCUIT DEADEND)		
SE15	Install	0	1	SE15 (DOWN GUY, DBL. 32M)		
SE15	Install	0	1	SE15 (DOWN GUY, DBL. 32M)		
SE15	Install	0	1	SE15 (DOWN GUY, DBL. 32M)		
SE15	Install	0	1	SE15 (DOWN GUY, DBL. 32M)		
SF7C	Install	0	1	SF7C (ANCHOR, 7" CONCRETE)		
SF7C	Install	0	1	SF7C (ANCHOR, 7" CONCRETE)		
SF7C	Install	0	1	SF7C (ANCHOR, 7" CONCRETE)		
SF7C	Install	0	1	SF7C (ANCHOR, 7" CONCRETE)		
SM52-3	Install	0	1	SM52-3 (POLE NUMBER)		
SUC3	Install	0	1	SUC3 (PRI RISER)		
SUM5016FR	Install	0	1	FIRST 10FT SPARE EMPTY 6" FG RISER		
SUM5026H	Install	1	120	SUM5026H - Conduit ((2) 6" HDPE CONDUIT)		
SUM6-25F 3 PH	Install	0	1	SUM6-25F (750 MCM PRIMARY TERMINATION)		
SUME690F5	Install	0	4	SUME690F5 (6" FG 90 60")		
SUR2-5	Install	1	30	SUR2-5 (PRIMARY TRENCH)		
SDC-C1C8	Remove	0	1	DOUBLE CIRCUIT TANGENT DOUBLE DEADEND		

Remarks:

- INSTALL TERMINATION ARM AS AN ALLEY ARM. SEE FRAMING DETAIL ON SHEET 79.
- (2) SUME690F5 SWEEPS FOR TURN FROM COMMON TRENCH SOUTH TO POLE 3603.
- INSTALL ANCHORS IN A SPLIT GUY CONFIGURATION.
- INSTALL SUCH THAT EACH ANCHOR IS A MINIMUM OF 5' APART.
- KEEP EXISTING TRANSMISSION GUYS AND ANCHORS IN PLACE.
- REFER TO WORK LOCATION 95 FOR THE RETIREMENT UNITS.

Structure: (006) SC 1140

Assembly Unit	Activity	#Cond	Qty	Unit Description	Complete	Qty
750 CONC 15KV	Install	3	375	750 CONC 15KV (WIRE, AL JCN 750MCM EPR)		
SUM1F	Install	0	1	SUM1F (CONCRETE PAD 600 A SWITCH CAB.)		
SUM3-11	Install	0	1	SUM3-11 (600 A SC 1 FUSE 3 SWITCHES)		
SUM5026H	Install	1	375	SUM5026H - Conduit ((2) 6" HDPE CONDUIT)		
SUM6-25D 3 PH	Install	0	1	SUM6-25D (4/0 PRIMARY TERMINATION)		
SUM6-25F 3 PH	Install	0	1	SUM6-25F (750 MCM PRIMARY TERMINATION)		
SUM6-25F 3 PH	Install	0	1	SUM6-25F (750 MCM PRIMARY TERMINATION)		

Chugach Electric Association 5601 Electron Drive Anchorage, AK 99518	Designer/Project Engineer _____ Date ____/____/____
	Checker _____ Date ____/____/____
	Manager/Supervisor _____ Date ____/____/____

Project: E1913870 Design: O'MALLEY SOA ROAD RELOCATION

In Design

O'MALLEY ROAD RELOCATION

Grid: 1929

Structure: (006) SC 1140

Assembly Unit	Activity	#Cond	Qty	Unit Description	Complete	Qty
SUM6-4EL	Install	0	1	3-PH UG CURNT RESET FI, 600A TRIP		
SUME645F5	Install	0	6	SUME645F5 (6" FG 45 60")		

Remarks:

- INSTALL SWITCH CABINET SUCH THAT THE DOORS OPEN NORTH/SOUTH.
- INSTALL FAULT INDICATOR IN COMPARTMENT 1.

Structure: (007) SC 1141

Assembly Unit	Activity	#Cond	Qty	Unit Description	Complete	Qty
2 CONC 3 PH	Install	3	15	2 CONC Wire 3 PH (#2 CONCENTRIC PRIMARY)		
750 CONC 15KV	Install	3	15	750 CONC 15KV (WIRE, AL JCN 750MCM EPR)		
SHUR2-5	Install	1	15	SHUR2-5 (PRIMARY TRENCH HAND -DIG)		
SUM1F	Install	0	1	SUM1F (CONCRETE PAD 600 A SWITCH CAB.)		
SUM3-9	Install	0	1	SUM3-9 (600 A SC 2 FUSES 2 SWITCHES)		
SUM5026H	Install	1	15	SUM5026H - Conduit ((2) 6" HDPE CONDUIT)		
SUM6-1A 3 PH	Install	0	1	SUM6-1A (#2 LB ELBOW TERMINATION)		
SUM6-25C 1 PH	Install	0	1	SUM6-25C (1/0 PRIMARY TERMINATION)		
SUM6-25C 1 PH	Install	0	1	SUM6-25C (1/0 PRIMARY TERMINATION)		
SUM6-25F 3 PH	Install	0	1	SUM6-25F (750 MCM PRIMARY TERMINATION)		
SUM6-25F 3 PH	Install	0	1	SUM6-25F (750 MCM PRIMARY TERMINATION)		
SUM6-28A 3 PH	Install	0	1	SUM6-28A (#2 PRIMARY SPLICE)		
SUM6-36A	Install	0	1	SUM6-36A (FUSE, S&C END FITTING SML-20)		
SUM6-36A	Install	0	1	SUM6-36A (FUSE, S&C END FITTING SML-20)		
SUM6-36A	Install	0	1	SUM6-36A (FUSE, S&C END FITTING SML-20)		
SUM6-36A	Install	0	1	SUM6-36A (FUSE, S&C END FITTING SML-20)		
SUM6-36A	Install	0	1	SUM6-36A (FUSE, S&C END FITTING SML-20)		
SUM6-4EL	Install	0	1	3-PH UG CURNT RESET FI, 600A TRIP		
SUME445F4	Install	0	2	SUME445F4 (4" FG 45 48")		
SUME645F5	Install	0	4	SUME645F5 (6" FG 45 60")		

Remarks:

- HAND DIG PROVIDED TO DIG DOWN AND LOCATE THE 3Ø CIRCUIT NORTH TO PM 1. UTILIZE MANHOURS TO PULL BACK AND PLUMB INTO SWITCH CABINET. THE WORK ORDER 7838 INSTALLED A 4" CONDUIT TO PM 1. IN CASE NO CONDUIT IS FOUND A SPLICE AND ADDITIONAL #2 HAS BEEN PROVIDED TO PROVIDE A COIL.
- (2) SUME445F4 SWEEPS PROVIDED FOR CONDUIT TO PM 1.
- INSTALL SWITCH CABINET SUCH THAT THE DOORS OPEN NORTH/SOUTH.
- INSTALL FAULT INDICATOR IN COMPARTMENT 1.

Structure: (008) PM 1

Assembly Unit	Activity	#Cond	Qty	Unit Description	Complete	Qty
STAG-2	Install	0	1	STAG-2 (PRIMARY CABLE TAG)		
STAG-2	Remove	0	1	STAG-2 (PRIMARY CABLE TAG)		

Remarks:

- RETAG 3Ø SOUTH "TO SC 1141". PREVIOUSLY POLE A47B.

*****REPEAT TO SC 1141*****

Structure: (009) PM 3905

Assembly Unit	Activity	#Cond	Qty	Unit Description	Complete	Qty
1/0 CONC	Install	1	300	1/0 CONC Wire (1/0 CONCENTRIC PRIMARY)		
SUM5012H	Install	1	300	SUM5012H - Conduit ((1) 2" HDPE CONDUIT)		
SUM6-1C 1 PH	Install	0	1	SUM6-1C (1/0 LB ELBOW TERMINATION-15KV)		
SUM6-1C CIC 1 PH	Remove	0	1	1/0 LB ELBOW TERMINATION-15KV		
1/0 CONC	Abandon	1	35	1/0 CONC Wire (1/0 CONCENTRIC PRIMARY)		
2 RIBB Secondary	Abandon	1	35	#2 3-WIRE SECONDARY		

Remarks:

Structure: (010) POLE 3903 A46A

Assembly Unit	Activity	#Cond	Qty	Unit Description	Complete	Qty
4/0 RIBB	Install	1	35	4/0 3-WIRE SECONDARY		
SM52-3	Install	0	1	SM52-3 (POLE NUMBER)		
SUM5012H	Install	1	35	SUM5012H - Conduit ((1) 2" HDPE CONDUIT)		
SUM5A	Install	0	1	SECONDARY RISER-EXISTING STANDOFF		
SUME290S3	Install	0	1	SUME290S3 (2" RSC 90 36")		
SM5-9PB	Remove	0	1	CUTOUT ASSEMBLY LOAD BREAK POLE MT		
SUA1	Remove	0	1	SUA1 (PRI RISER ON 1 PH OH LINE)		

Chugach Electric Association
5601 Electron Drive
Anchorage, AK 99518

Designer/Project Engineer _____ Date ____/____/____
 Checker _____ Date ____/____/____
 Manager/Supervisor _____ Date ____/____/____

Project: E1913870 Design: O'MALLEY SOA ROAD RELOCATION
O'MALLEY ROAD RELOCATION

In Design
Grid: 1929

Remarks:

- SEE WORK LOCATION 95 FOR MORE RETIREMENT UNITS.

*****REPEAT TO SC 1140*****

Structure:		(011) SC 1142					
<u>Assembly Unit</u>	<u>Activity</u>	<u>#Cond</u>	<u>Qty</u>	<u>Unit Description</u>		<u>Complete</u>	<u>Qty</u>
4/0 CONC	Install	3	480	4/0 CONC Wire (4/0 CONCENTRIC PRIMARY)			
BORE	Install	1	180	BORE			
SHUR2-5	Install	1	20	SHUR2-5 (PRIMARY TRENCH HAND -DIG)			
SUM1F	Install	0	1	SUM1F (CONCRETE PAD 600 A SWITCH CAB.)			
SUM3-12	Install	0	1	SUM3-12 (600 A SC 3 FUSES 1 SWITCH)			
SUM5026H	Install	1	480	SUM5026H - Conduit ((2) 6" HDPE CONDUIT)			
SUM6-25C 1 PH	Install	0	1	SUM6-25C (1/0 PRIMARY TERMINATION)			
SUM6-25D 3 PH	Install	0	1	SUM6-25D (4/0 PRIMARY TERMINATION)			
SUM6-25D 3 PH	Install	0	1	SUM6-25D (4/0 PRIMARY TERMINATION)			
SUM6-25D 3 PH	Install	0	1	SUM6-25D (4/0 PRIMARY TERMINATION)			
SUM6-36A	Install	0	1	SUM6-36A (FUSE, S&C END FITTING SML-20)			
SUM6-36A	Install	0	1	SUM6-36A (FUSE, S&C END FITTING SML-20)			
SUM6-36A	Install	0	1	SUM6-36A (FUSE, S&C END FITTING SML-20)			
SUM6-36A	Install	0	1	SUM6-36A (FUSE, S&C END FITTING SML-20)			
SUM6-36A	Install	0	1	SUM6-36A (FUSE, S&C END FITTING SML-20)			
SUM6-36A	Install	0	1	SUM6-36A (FUSE, S&C END FITTING SML-20)			
SUM6-36A	Install	0	1	SUM6-36A (FUSE, S&C END FITTING SML-20)			
SUM6-36A	Install	0	1	SUM6-36A (FUSE, S&C END FITTING SML-20)			
SUM6-36A	Install	0	1	SUM6-36A (FUSE, S&C END FITTING SML-20)			
SUME445F4	Install	0	4	SUME445F4 (4" FG 45 48")			
SUME645F5	Install	0	2	SUME645F5 (6" FG 45 60")			
SUME690F5	Install	0	2	SUME690F5 (6" FG 90 60")			
SUR2-5	Install	1	280	SUR2-5 (PRIMARY TRENCH)			

Remarks:

- (2) SUME690F5 ARE FOR TURN FROM WEST TO SOUTH NEAR SC 1140.
- FACE SWITCH CABINET SUCH THAT THE DOORS OPEN NORTH/SOUTH.
- HAND DIG AS NEEDED FOR CROSSING EXISTING UNDERGROUND UTILITIES.

Structure:		(012) PM 4888					
<u>Assembly Unit</u>	<u>Activity</u>	<u>#Cond</u>	<u>Qty</u>	<u>Unit Description</u>		<u>Complete</u>	<u>Qty</u>
4/0 CONC	Install	3	40	4/0 CONC Wire (4/0 CONCENTRIC PRIMARY)			
SUG17B-75	Install	0	1	XFMR, PM, 75 KVA, 3 PH, RADIAL			
SUM1B	Install	0	1	SUM1B (CONCRETE PAD 3 PH XFMR)			
SUM5024H	Install	1	40	SUM5024H - Conduit ((2) 4" HDPE CONDUIT)			
SUM6-1D 3 PH	Install	0	1	SUM6-1D (4/0 LB ELBOW TERMINATION)			
SUME490F3	Install	0	2	SUME490F3 (4" FG 90 36")			

Remarks:

- PEEL OFF SERVICE FROM POLE R2 AND ROUTE SERVICE FOR TRACT 1D INTO PM 4888.

Structure:		(013) PM 4889					
<u>Assembly Unit</u>	<u>Activity</u>	<u>#Cond</u>	<u>Qty</u>	<u>Unit Description</u>		<u>Complete</u>	<u>Qty</u>
1/0 CONC	Install	1	60	1/0 CONC Wire (1/0 CONCENTRIC PRIMARY)			
SUG6-25	Install	0	1	SUG6-25 (XFMR, PM, 25 KVA, 1 PH, RADIAL)			
SUM1	Install	0	1	SUM1 (CONCRETE PAD 1 PH XFMR)			
SUM5022H	Install	1	60	SUM5022H - Conduit ((2) 2" HDPE CONDUIT)			
SUM6-1C 1 PH	Install	0	1	SUM6-1C (1/0 LB ELBOW TERMINATION-15KV)			

Remarks:

Structure:		(014) POLE 4988 *R2					
<u>Assembly Unit</u>	<u>Activity</u>	<u>#Cond</u>	<u>Qty</u>	<u>Unit Description</u>		<u>Complete</u>	<u>Qty</u>
2/0 RIBB Service	Install	1	15	2/0 3-WIRE SERVICE			
SC7A	Install	0	1	SC7A (XARM SINGLE DEADEND)			
SE15	Install	0	1	SE15 (DOWN GUY, DBL. 32M)			
SF7C	Install	0	1	SF7C (ANCHOR, 7' CONCRETE)			
SUM5	Install	0	1	SUM5 (SECONDARY RISER)			
SUM5012H	Install	1	15	SUM5012H - Conduit ((1) 2" HDPE CONDUIT)			
SUME290S3	Install	0	1	SUME290S3 (2" RSC 90 36")			
C1	Remove	0	1	C1 (XARM SINGLE SUPPORT)			
J11	Remove	0	1	J11 (SECONDARY DEADEND)			
M2-11	Remove	0	1	M2-11 (POLE GROUNDING ASSY)			
SG312-75	Remove	0	1	SG312-75 (XFMR BANK,3PH,75 KVA)			
SUM5	Remove	0	1	SUM5 (SECONDARY RISER)			

Chugach Electric Association 5601 Electron Drive Anchorage, AK 99518	Designer/Project Engineer _____ Date ____/____/____ Checker _____ Date ____/____/____ Manager/Supervisor _____ Date ____/____/____
--	--

Project: E1913870 Design: O'MALLEY SOA ROAD RELOCATION
O'MALLEY ROAD RELOCATION

In Design
Grid: 1929

Remarks:

- REMOVE 3Ø SERVICE, TRANSFORMERS AND RISER, ROUTE SERVICE FOR TRACT 1D TO PM 4888.
- MAINTAIN EXISTING OVERHEAD SERVICE TO LOT 1 BY INSTALLING NEW SECONDARY RISER FROM PM 4889.
- INSTALL DEADEND ON POLE.
- GUY LEAD, 25'.
- 15' IS COMMON TRENCH TO PM 4889.
- SEE WORK LOCATION 82 FOR MORE RETIREMENT UNITS.

*****REPEAT TO SC 1142*****

Structure: (014A) STREETLIGHT#1

Assembly Unit	Activity	#Cond	Qty	Unit Description	Complete	Qty
6/2 UF	Install	1	240	#6 DB 2 WIRE STREETLIGHT CNDCT		
SHUR2-3	Install	1	5	SHUR2-3 (SECONDARY TRENCH - HAND DIG)		
SL5AL	Install	0	1	LED STREET LIGHT, 150W HPS EQ		
SUM5011.5H	Install	1	240	(1) 1.5" HDPE CONDUIT		

Remarks:

Structure: (015) POLE 4986

Assembly Unit	Activity	#Cond	Qty	Unit Description	Complete	Qty
4/0 CONC	Install	3	15	4/0 CONC Wire (4/0 CONCENTRIC PRIMARY)		
C1	Install	0	1	C1 (XARM SINGLE SUPPORT)		
POLE40/2	Install	0	1	POLE40/2 (POLE, 040 CLASS 2)		
SM52-3	Install	0	1	SM52-3 (POLE NUMBER)		
SUC2	Install	0	1	SUC2 (3 PH FEEDER TP-4/0)		
SUM5014FR	Install	0	1	FIRST 10FT SPARE EMPTY 4" FG RISER		
SUM5024H	Install	1	15	SUM5024H - Conduit ((2) 4" HDPE CONDUIT)		
SUM6-25D 3 PH	Install	0	1	SUM6-25D (4/0 PRIMARY TERMINATION)		
SUME490F4	Install	0	2	SUME490F4 (4" FG 90 48")		
SUR2-5	Install	1	15	SUR2-5 (PRIMARY TRENCH)		

Remarks:

Structure: (016) PM 5603

Assembly Unit	Activity	#Cond	Qty	Unit Description	Complete	Qty
1/0 CONC	Install	1	165	1/0 CONC Wire (1/0 CONCENTRIC PRIMARY)		
SHUR2-5	Install	1	5	SHUR2-5 (PRIMARY TRENCH HAND -DIG)		
SUM5012H	Install	1	165	SUM5012H - Conduit ((1) 2" HDPE CONDUIT)		
SUM6-1C 1 PH	Install	0	1	SUM6-1C (1/0 LB ELBOW TERMINATION-15KV)		
SUM6-1C 1 PH	Remove	0	1	SUM6-1C (1/0 LB ELBOW TERMINATION-15KV)		

Remarks:

- HAND DIG PROVIDED FOR DIGGING NEAR PM 5503.
- CUT OFF AND ABANDON EXISTING 1/0 CONC TO POLE 5604.
- SEE WORK LOCATION 77 FOR RETIREMENT.

*****REPEAT TO SC 1141*****

Structure: (017) SC 1143

Assembly Unit	Activity	#Cond	Qty	Unit Description	Complete	Qty
750 CONC 15KV	Install	3	395	750 CONC 15KV (WIRE, AL JCN 750MCM EPR)		
SUM1F	Install	0	1	SUM1F (CONCRETE PAD 600 A SWITCH CAB.)		
SUM3-9	Install	0	1	SUM3-9 (600 A SC 2 FUSES 2 SWITCHES)		
SUM5026H	Install	1	395	SUM5026H - Conduit ((2) 6" HDPE CONDUIT)		
SUM6-25C 1 PH	Install	0	1	SUM6-25C (1/0 PRIMARY TERMINATION)		
SUM6-25C 1 PH	Install	0	1	SUM6-25C (1/0 PRIMARY TERMINATION)		
SUM6-25F 3 PH	Install	0	1	SUM6-25F (750 MCM PRIMARY TERMINATION)		
SUM6-25F 3 PH	Install	0	1	SUM6-25F (750 MCM PRIMARY TERMINATION)		
SUM6-36A	Install	0	1	SUM6-36A (FUSE, S&C END FITTING SML-20)		
SUM6-36A	Install	0	1	SUM6-36A (FUSE, S&C END FITTING SML-20)		
SUM6-4EL	Install	0	1	3-PH UG CURNT RESET FI, 600A TRIP		
SUME645F5	Install	0	4	SUME645F5 (6" FG 45 60")		
SUR2-5	Install	1	25	SUR2-5 (PRIMARY TRENCH)		

Chugach Electric Association
5601 Electron Drive
Anchorage, AK 99518

Designer/Project Engineer _____ Date ____/____/____
 Checker _____ Date ____/____/____
 Manager/Supervisor _____ Date ____/____/____

Project: E1913870

Design: O'MALLEY SOA ROAD RELOCATION

In Design

O'MALLEY ROAD RELOCATION

Grid: 1929

Remarks:

- 25' OF TRENCH PROVIDED FOR TRENCHING PAST VAULT 6403 TO SC 1143.
- INSTALL FAULT INDICATOR IN COMPARTMENT 1.
- FACE SWITCH CABINET SUCH THAT THE DOORS OPEN EAST/WEST.

Structure: (018) PM 6098

Assembly Unit	Activity	#Cond	Qty	Unit Description	Complete	Qty
1/0 CONC	Install	1	300	1/0 CONC Wire (1/0 CONCENTRIC PRIMARY)		
BORE	Install	1	150	BORE		
SUG7-25	Install	0	1	SUG7-25 (XFMR, PM, 25 KVA, 1 PH, LOOP)		
SUM1	Install	0	1	SUM1 (CONCRETE PAD 1 PH XFMR)		
SUM5022H	Install	1	300	SUM5022H - Conduit ((2) 2" HDPE CONDUIT)		
SUM6-1C 1 PH	Install	0	1	SUM6-1C (1/0 LB ELBOW TERMINATION-15KV)		
SUM6-1C 1 PH	Install	0	1	SUM6-1C (1/0 LB ELBOW TERMINATION-15KV)		
SUME290S3	Install	0	4	SUME290S3 (2" RSC 90 36")		
SUR2-5	Install	1	150	SUR2-5 (PRIMARY TRENCH)		
SURCP	Install	1	25	SURCP (PARKING LOT CROSSING)		

Remarks:

- (4) SUME290S3 CONDUITS FOR END OF BORE ON THE NORTH AND SOUTH SIDES OF THE ROAD TO TRENCH WEST TO PM 6098 AND SC 1143.

Structure: (018A) LOT 2

Assembly Unit	Activity	#Cond	Qty	Unit Description	Complete	Qty
2/0 RIBB Service	Install	1	90	2/0 3-WIRE SERVICE		
SUM5012H	Install	1	90	SUM5012H - Conduit ((1) 2" HDPE CONDUIT)		
SUR2-3	Install	1	90	SUR2-3 (SECONDARY TRENCH)		
SURCP	Install	1	30	SURCP (PARKING LOT CROSSING)		
XSUM8	Install	0	1	XSUM8 (SERVICE CONVERSION)		
2 TPX Service	Remove	1	85	2 TPX OH SERVICE CONDUCTOR		

Remarks:

- REMOVE EXISTING O.H. SERVICE AND INSTALL NEW U.G. SERVICE TO HOUSE.
- COORDINATE INSTALL WITH DUSTIN ASHCRAFT 907.952.9671.

Structure: (019) PM 6698

Assembly Unit	Activity	#Cond	Qty	Unit Description	Complete	Qty
1/0 CONC	Install	1	125	1/0 CONC Wire (1/0 CONCENTRIC PRIMARY)		
SUG7-25	Install	0	1	SUG7-25 (XFMR, PM, 25 KVA, 1 PH, LOOP)		
SUM1	Install	0	1	SUM1 (CONCRETE PAD 1 PH XFMR)		
SUM5022H	Install	1	125	SUM5022H - Conduit ((2) 2" HDPE CONDUIT)		
SUM6-1C 1 PH	Install	0	1	SUM6-1C (1/0 LB ELBOW TERMINATION-15KV)		
SUM6-1C 1 PH	Install	0	1	SUM6-1C (1/0 LB ELBOW TERMINATION-15KV)		

Remarks:

Structure: (019A) LOT 3

Assembly Unit	Activity	#Cond	Qty	Unit Description	Complete	Qty
2/0 RIBB Service	Install	1	155	2/0 3-WIRE SERVICE		
SUM5012H	Install	1	155	SUM5012H - Conduit ((1) 2" HDPE CONDUIT)		
SUR2-3	Install	1	155	SUR2-3 (SECONDARY TRENCH)		
XSUM8	Install	0	1	XSUM8 (SERVICE CONVERSION)		

Remarks:

- MOVE SERVICE FOR LOT 3 FROM POLE 6596 TO PM 6698.
- TRENCH AND INSTALL NEW CONDUCTOR TO CABIN ON THE SOUTH SIDE OF THE PROPERTY. CAUTION, KEYSTONE WALL NEAR CABIN.
- COORDINATE WITH MARTIN SMITH 907.240.9137.

Structure: (020) PM 6803

Assembly Unit	Activity	#Cond	Qty	Unit Description	Complete	Qty
1/0 CONC	Install	1	230	1/0 CONC Wire (1/0 CONCENTRIC PRIMARY)		
SHUR2-5	Install	1	20	SHUR2-5 (PRIMARY TRENCH HAND -DIG)		
SUG7-25	Install	0	1	SUG7-25 (XFMR, PM, 25 KVA, 1 PH, LOOP)		
SUM1	Install	0	1	SUM1 (CONCRETE PAD 1 PH XFMR)		
SUM5022H	Install	1	230	SUM5022H - Conduit ((2) 2" HDPE CONDUIT)		
SUM6-1C 1 PH	Install	0	1	SUM6-1C (1/0 LB ELBOW TERMINATION-15KV)		
SUM6-1C 1 PH	Install	0	1	SUM6-1C (1/0 LB ELBOW TERMINATION-15KV)		
SUME290S3	Install	0	2	SUME290S3 (2" RSC 90 36")		

Chugach Electric Association
 5601 Electron Drive
 Anchorage, AK 99518

Designer/Project Engineer _____ Date ____/____/____
 Checker _____ Date ____/____/____
 Manager/Supervisor _____ Date ____/____/____

Project: E1913870 Design: O'MALLEY SOA ROAD RELOCATION

In Design

O'MALLEY ROAD RELOCATION

Grid: 1929

Remarks:

- HAND DIG TO EXPOSE PRIMARY AND SECONDARY FOR PED. PULL BACK SLACK FROM POLE 6504 AND PLUMB INTO PM 6803.
- (2) SUME290S3 ELBOWS ARE FOR TURN FROM NORTH TO EAST ON THE NORTH SIDE OF THE ROAD AT THE END OF THE BORE.

*****REPEAT TO SC 1143*****

Structure: (021) VAULT 6403

Assembly Unit	Activity	#Cond	Qty	Unit Description	Complete	Qty
750 CONC 15KV	Install	3	25	750 CONC 15KV (WIRE, AL JCN 750MCM EPR)		
SUM5026H	Install	1	25	SUM5026H - Conduit ((2) 6" HDPE CONDUIT)		

Remarks:

Structure: (022) VAULT 9703

Assembly Unit	Activity	#Cond	Qty	Unit Description	Complete	Qty
750 CONC 15KV	Install	3	895	750 CONC 15KV (WIRE, AL JCN 750MCM EPR)		
750 CONC 15KV	Install	3	895	750 CONC 15KV (WIRE, AL JCN 750MCM EPR)		
BORE	Install	1	300	BORE		
SHUR2-5	Install	1	45	SHUR2-5 (PRIMARY TRENCH HAND -DIG)		
SUM5026H	Install	1	895	SUM5026H - Conduit ((2) 6" HDPE CONDUIT)		
SUM5026H	Install	1	895	SUM5026H - Conduit ((2) 6" HDPE CONDUIT)		
SUM6-28F 3 PH	Install	0	1	SUM6-28F (750 MCM PRIMARY SPLICE)		
SUM6-28F 3 PH	Install	0	1	SUM6-28F (750 MCM PRIMARY SPLICE)		
SUM6-6	Install	0	4	SUM6-6 (GROUNDING ASSY)		
SUME630F5	Install	0	8	SUME630F5 (6" FG 30 60")		
SUMH-810	Install	0	1	Pull Vault - 8x10		
SUMV-1	Install	0	10	CABLE RACK RAO8 & STANCHION		
SUMV-1A	Install	0	10	CABLE RACK RAO8		
SUR2-5	Install	1	450	SUR2-5 (PRIMARY TRENCH)		
SUR2-DT	Install	1	100	SUR2-DT (DEEP PRIMARY TRENCH)		
XUR2-11C	Install	0	8	XUR2-11C (DRAIN ROCK)		
XUR2-12	Install	0	12	XUR2-12 (EXPORT)		

Remarks:

- INSTALL DRAIN ROCK AS REQUIRED. REFER TO NOTES ON THE COVER PAGE.
- DEEP TRENCH PROVIDED TO TRANSITION FROM A STANDARD 4' TRENCH TO A DEEPER TRENCH WHEN ENTERING/EXITING THE VAULT.
- SUME630F5 SWEEPS PROVIDED FOR TRENCH ANGLES IF FIELD BENDING IS NOT POSSIBLE.

Structure: (023) SC 1144

Assembly Unit	Activity	#Cond	Qty	Unit Description	Complete	Qty
750 CONC 15KV	Install	3	25	750 CONC 15KV (WIRE, AL JCN 750MCM EPR)		
SUM1F	Install	0	1	SUM1F (CONCRETE PAD 600 A SWITCH CAB.)		
SUM3-9	Install	0	1	SUM3-9 (600 A SC 2 FUSES 2 SWITCHES)		
SUM5026H	Install	1	25	SUM5026H - Conduit ((2) 6" HDPE CONDUIT)		
SUM6-25C 1 PH	Install	0	1	SUM6-25C (1/0 PRIMARY TERMINATION)		
SUM6-25C 1 PH	Install	0	1	SUM6-25C (1/0 PRIMARY TERMINATION)		
SUM6-25C 1 PH	Install	0	1	SUM6-25C (1/0 PRIMARY TERMINATION)		
SUM6-25F 3 PH	Install	0	1	SUM6-25F (750 MCM PRIMARY TERMINATION)		
SUM6-25F 3 PH	Install	0	1	SUM6-25F (750 MCM PRIMARY TERMINATION)		
SUM6-36A	Install	0	1	SUM6-36A (FUSE, S&C END FITTING SML-20)		
SUM6-36A	Install	0	1	SUM6-36A (FUSE, S&C END FITTING SML-20)		
SUM6-36A	Install	0	1	SUM6-36A (FUSE, S&C END FITTING SML-20)		
SUM6-4EL	Install	0	1	3-PH UG CURNT RESET FI, 600A TRIP		
SUME645F5	Install	0	4	SUME645F5 (6" FG 45 60")		

Remarks:

- FACE SWITCH CABINET SUCH THAT THE DOORS OPEN EAST/WEST.
- INSTALL FAULT INDICATOR IN COMPARTMENT 1.

*****REPEAT TO SC 1143*****

Structure: (024) PM 7803

Assembly Unit	Activity	#Cond	Qty	Unit Description	Complete	Qty
1/0 CONC	Install	1	345	1/0 CONC Wire (1/0 CONCENTRIC PRIMARY)		
2 RIBB Service	Install	1	30	2 RIBB Wire Service (#2 3-WIRE SERVICE)		
SUG7-25	Install	0	1	SUG7-25 (XFMR, PM, 25 KVA, 1 PH, LOOP)		

Chugach Electric Association 5601 Electron Drive Anchorage, AK 99518	Designer/Project Engineer _____ Date ____/____/____
	Checker _____ Date ____/____/____
	Manager/Supervisor _____ Date ____/____/____

Project: E1913870

Design: O'MALLEY SOA ROAD RELOCATION

In Design

O'MALLEY ROAD RELOCATION

Grid: 1929

Structure: (024) PM 7803

Assembly Unit	Activity	#Cond	Qty	Unit Description	Complete	Qty
SUM1	Install	0	1	SUM1 (CONCRETE PAD 1 PH XFMR)		
SUM5022H	Install	1	345	SUM5022H - Conduit ((2) 2" HDPE CONDUIT)		
SUM6-10	Install	0	1	SUM6-10 (200A BUSHING CAP)		
SUM6-15	Install	0	1	SUM6-15 (200A PARKING STAND)		
SUM6-1C 1 PH	Install	0	1	SUM6-1C (1/0 LB ELBOW TERMINATION-15KV)		
SUM6-1C 1 PH	Install	0	1	SUM6-1C (1/0 LB ELBOW TERMINATION-15KV)		
SUM6-32	Install	0	3	SUM6-32 (SECONDARY UG SPLICE)		

Remarks:

- ROUTE SERVICE FOR LOT 5 INTO PM 7803. THERE IS NO INFORMATION IF THE SERVICE IS IN CONDUIT SO SECONDARY SPLICES AND CONDUCTOR HAVE BEEN PROVIDED AS REQUIRED.

- ESTABLISH N.O. TO PM 8598.

Structure: (024A) PM 8598

Assembly Unit	Activity	#Cond	Qty	Unit Description	Complete	Qty
1/0 CONC	Install	1	345	1/0 CONC Wire (1/0 CONCENTRIC PRIMARY)		
BORE	Install	1	150	BORE		
SUG7-25	Install	0	1	SUG7-25 (XFMR, PM, 25 KVA, 1 PH, LOOP)		
SUM1	Install	0	1	SUM1 (CONCRETE PAD 1 PH XFMR)		
SUM5022H	Install	1	345	SUM5022H - Conduit ((2) 2" HDPE CONDUIT)		
SUM6-1C 1 PH	Install	0	1	SUM6-1C (1/0 LB ELBOW TERMINATION-15KV)		
SUM6-1C 1 PH	Install	0	1	SUM6-1C (1/0 LB ELBOW TERMINATION-15KV)		
SUME290S3	Install	0	2	SUME290S3 (2" RSC 90 36")		

Remarks:

- (2) SUME290S3 CONDUITS FOR END OF BORE ON THE NORTH SIDE OF THE ROAD FOR TRANSITION FROM EAST TO SOUTH.

Structure: (024B) LOT 6

Assembly Unit	Activity	#Cond	Qty	Unit Description	Complete	Qty
2/0 RIBB Service	Install	1	5	2/0 3-WIRE SERVICE		
SHUR2-3	Install	1	5	SHUR2-3 (SECONDARY TRENCH - HAND DIG)		
SUM5012H	Install	1	5	SUM5012H - Conduit ((1) 2" HDPE CONDUIT)		
J11	Remove	0	1	J11 (SECONDARY DEADEND)		
POLE35/5	Remove	0	1	POLE35/5 (POLE, 035 CLASS 5)		
SE1-3	Remove	0	1	SE1-3 (DOWN GUY, SINGLE, 10M)		
SF4P	Remove	0	1	SF4P (ANCHOR, PLATE, 16M, 3/4" X 8' RO)		
SM52-3	Remove	0	1	SM52-3 (POLE NUMBER)		
SUM5	Remove	0	1	SUM5 (SECONDARY RISER)		
SUME290S3	Remove	0	1	SUME290S3 (2" RSC 90 36")		

Remarks:

- PEEL BACK RISER AND INSTALL INTO PM 6098.
- COORDINATE WITH DON DURYE 907.350.1883.

Structure: (025) SC 1144

Assembly Unit	Activity	#Cond	Qty	Unit Description	Complete	Qty
1/0 CONC	Install	1	465	1/0 CONC Wire (1/0 CONCENTRIC PRIMARY)		
SUM5012H	Install	1	465	SUM5012H - Conduit ((1) 2" HDPE CONDUIT)		
SUME290S3	Install	0	2	SUME290S3 (2" RSC 90 36")		

Remarks:

- (2) SUME290S3 CONDUITS FOR END OF BORE ON THE NORTH SIDE OF THE ROAD FOR TRANSITION FROM SOUTH TO EAST.

Structure: (026) PM 9206

Assembly Unit	Activity	#Cond	Qty	Unit Description	Complete	Qty
1/0 CONC	Install	1	230	1/0 CONC Wire (1/0 CONCENTRIC PRIMARY)		
SHUR2-5	Install	1	20	SHUR2-5 (PRIMARY TRENCH HAND -DIG)		
SUM5012H	Install	1	230	SUM5012H - Conduit ((1) 2" HDPE CONDUIT)		
SUM6-1C 1 PH	Install	0	1	SUM6-1C (1/0 LB ELBOW TERMINATION-15KV)		
SUR2-5	Install	1	100	SUR2-5 (PRIMARY TRENCH)		
SUM6-1C 1 PH	Remove	0	1	SUM6-1C (1/0 LB ELBOW TERMINATION-15KV)		

Remarks:

Structure: (026A) STREETLIGHT#2

Assembly Unit	Activity	#Cond	Qty	Unit Description	Complete	Qty
---------------	----------	-------	-----	------------------	----------	-----

Chugach Electric Association
5601 Electron Drive
Anchorage, AK 99518

Designer/Project Engineer _____ Date ____/____/____
Checker _____ Date ____/____/____
Manager/Supervisor _____ Date ____/____/____

Project: E1913870 Design: O'MALLEY SOA ROAD RELOCATION
O'MALLEY ROAD RELOCATION

In Design
Grid: 1929

Structure: (026A) STREETLIGHT#2

Assembly Unit	Activity	#Cond	Qty	Unit Description	Complete	Qty
6/2 UF	Install	1	295	#6 DB 2 WIRE STREETLIGHT CNDCT		
SUM5011.5H	Install	1	295	(1) 1.5" HDPE CONDUIT		
SUR2-3	Install	1	10	SUR2-3 (SECONDARY TRENCH)		
6/2 UF	Abandon	1	280	#6 DB 2 WIRE STREETLIGHT CNDCT		

Remarks:

*****REPEAT TO PM 9206*****

Structure: (027) PED 8903*PED32

Assembly Unit	Activity	#Cond	Qty	Unit Description	Complete	Qty
4/0 RIBB	Install	1	220	4/0 3-WIRE SECONDARY		
SHUR2-3	Install	1	10	SHUR2-3 (SECONDARY TRENCH - HAND DIG)		
SUM5012H	Install	1	220	SUM5012H - Conduit ((1) 2" HDPE CONDUIT)		

Remarks:

*****REPEAT TO SC 1144*****

Structure: (028) PP 9698

Assembly Unit	Activity	#Cond	Qty	Unit Description	Complete	Qty
1/0 CONC	Install	1	140	1/0 CONC Wire (1/0 CONCENTRIC PRIMARY)		
BORE	Install	1	140	BORE		
SUM1	Install	0	1	SUM1 (CONCRETE PAD 1 PH XFMR)		
SUM1-CD	Install	0	1	SUM1-CD (SUM1 METAL PAD COVERING)		
SUM5022H	Install	1	140	SUM5022H - Conduit ((2) 2" HDPE CONDUIT)		
SUM6-28C 1 PH	Install	0	1	SUM6-28C (1/0 PRIMARY SPLICE-15KV)		
SUM6-6	Install	0	1	SUM6-6 (GROUNDING ASSY)		

Remarks:

Structure: (029) POLE 0295

Assembly Unit	Activity	#Cond	Qty	Unit Description	Complete	Qty
1/0 CONC	Install	1	175	1/0 CONC Wire (1/0 CONCENTRIC PRIMARY)		
A5	Install	0	1	A5 (VERTICAL SINGLE DEADEND)		
BORE	Install	1	115	BORE		
M2-11	Install	0	1	M2-11 (POLE GROUNDING ASSY)		
POLE40/2	Install	0	1	POLE40/2 (POLE, 040 CLASS 2)		
SE1-4	Install	0	1	SE1-4 (DOWN GUY, SINGLE, 12.5M)		
SF4P	Install	0	1	SF4P (ANCHOR,PLATE,16M, 3/4" X 8' RO)		
SM52-3	Install	0	1	SM52-3 (POLE NUMBER)		
SM5-9PC	Install	0	1	CUTOUT ASSEMBLY SOLID BLADE POLE MT		
SUA3	Install	0	1	SUA3 (PRI RISER 1 PH UNDRGRND SOURCE)		
SUM5012SR	Install	0	1	FIRST 10FT SPARE EMPTY 2" S RISER		
SUM5022H	Install	1	175	SUM5022H - Conduit ((2) 2" HDPE CONDUIT)		
SUM6-25C 1 PH	Install	0	1	SUM6-25C (1/0 PRIMARY TERMINATION)		
SUME290S3	Install	0	4	SUME290S3 (2" RSC 90 36")		
SUR2-5	Install	1	60	SUR2-5 (PRIMARY TRENCH)		

Remarks:

- SUME290S3 FOR END OF BORE ON EAST SIDE OF RIDGECREST AND FOR BASE OF POLE.
- GUY LEAD, 25'.

*****REPEAT TO VAULT 9703*****

Structure: (030) VAULT 4403

Assembly Unit	Activity	#Cond	Qty	Unit Description	Complete	Qty
750 CONC 15KV	Install	3	1,235	750 CONC 15KV (WIRE, AL JCN 750MCM EPR)		
BORE	Install	1	200	BORE		
SUM5026H	Install	1	1,235	SUM5026H - Conduit ((2) 6" HDPE CONDUIT)		
SUM6-28F 3 PH	Install	0	1	SUM6-28F (750 MCM PRIMARY SPLICE)		
SUM6-28F 3 PH	Install	0	1	SUM6-28F (750 MCM PRIMARY SPLICE)		
SUM6-6	Install	0	4	SUM6-6 (GROUNDING ASSY)		
SUMH-810	Install	0	1	Pull Vault - 8x10		
SUMV-1	Install	0	20	CABLE RACK RAO8 & STANCHION		
SUR2-5	Install	1	935	SUR2-5 (PRIMARY TRENCH)		
SUR2-DT	Install	1	100	SUR2-DT (DEEP PRIMARY TRENCH)		
XUR2-11C	Install	0	8	XUR2-11C (DRAIN ROCK)		
XUR2-12	Install	0	12	XUR2-12 (EXPORT)		

Chugach Electric Association
5601 Electron Drive
Anchorage, AK 99518

Designer/Project Engineer _____ Date ____/____/____
Checker _____ Date ____/____/____
Manager/Supervisor _____ Date ____/____/____

Project: E1913870

Design: O'MALLEY SOA ROAD RELOCATION

In Design

O'MALLEY ROAD RELOCATION

Grid: 1929

Remarks:

- INSTALL DRAIN ROCK AS REQUIRED. REFER TO NOTES ON THE COVER PAGE.
- DEEP TRENCH PROVIDED TO TRANSITION FROM A STANDARD 4' TRENCH TO A DEEPER TRENCH WHEN ENTERING/EXITING THE VAULT.

*****REPEAT TO VAULT 9703*****

Structure: (031) SC 1145

Assembly Unit	Activity	#Cond	Qty	Unit Description	Complete	Qty
750 CONC 15KV	Install	3	450	750 CONC 15KV (WIRE, AL JCN 750MCM EPR)		
SUM1F	Install	0	1	SUM1F (CONCRETE PAD 600 A SWITCH CAB.)		
SUM3-9	Install	0	1	SUM3-9 (600 A SC 2 FUSES 2 SWITCHES)		
SUM5026H	Install	1	450	SUM5026H - Conduit ((2) 6" HDPE CONDUIT)		
SUM6-25A 3 PH	Install	0	1	SUM6-25A (#2 PRIMARY TERMINATION)		
SUM6-25C 1 PH	Install	0	1	SUM6-25C (1/0 PRIMARY TERMINATION)		
SUM6-25F 3 PH	Install	0	1	SUM6-25F (750 MCM PRIMARY TERMINATION)		
SUM6-25F 3 PH	Install	0	1	SUM6-25F (750 MCM PRIMARY TERMINATION)		
SUM6-36A	Install	0	1	SUM6-36A (FUSE, S&C END FITTING SML-20)		
SUM6-36A	Install	0	1	SUM6-36A (FUSE, S&C END FITTING SML-20)		
SUM6-36A	Install	0	1	SUM6-36A (FUSE, S&C END FITTING SML-20)		
SUM6-36A	Install	0	1	SUM6-36A (FUSE, S&C END FITTING SML-20)		
SUM6-4EL	Install	0	1	3-PH UG CURNT RESET FI, 600A TRIP		
SUME445F4	Install	0	2	SUME445F4 (4" FG 45 48")		
SUME645F5	Install	0	4	SUME645F5 (6" FG 45 60")		

Remarks:

- INSTALL SWITCH CABINET SUCH THAT THE DOORS OPEN EAST/WEST.
- INSTALL FAULT INDICATOR IN COMPARTMENT 1.

Structure: (032) PM 1003

Assembly Unit	Activity	#Cond	Qty	Unit Description	Complete	Qty
1/0 CONC	Install	1	120	1/0 CONC Wire (1/0 CONCENTRIC PRIMARY)		
2 CONC 1 PH	Install	1	20	2 CONC Wire 1 PH (#2 CONCENTRIC PRIMARY)		
SHUR2-5	Install	1	10	SHUR2-5 (PRIMARY TRENCH HAND -DIG)		
SUG7-25	Install	0	1	SUG7-25 (XFMR, PM, 25 KVA, 1 PH, LOOP)		
SUM1	Install	0	1	SUM1 (CONCRETE PAD 1 PH XFMR)		
SUM5012H	Install	1	120	SUM5012H - Conduit ((1) 2" HDPE CONDUIT)		
SUM6-1A 1 PH	Install	0	1	SUM6-1A (#2 LB ELBOW TERMINATION)		
SUM6-1C 1 PH	Install	0	1	SUM6-1C (1/0 LB ELBOW TERMINATION-15KV)		
SUM6-28A 1 PH	Install	0	1	SUM6-28A (#2 PRIMARY SPLICE)		

Remarks:

- INTERCEPT AND TERMINATE #2 CONC FROM POLE 0703 IN PM 1003. #2 CONC PROVIDED WITH SPLICE IF REQUIRED. IF SPLICED OUTSIDE OF THE PAD, INSTALL LOCATOR DISK ABOVE THE SPLICE.
- TAG 1Ø NORTH "TO PM 1009".

*****REPEAT TO SC 1145*****

Structure: (033) PM 1009

Assembly Unit	Activity	#Cond	Qty	Unit Description	Complete	Qty
STAG-2	Install	0	1	STAG-2 (PRIMARY CABLE TAG)		
STAG-2	Remove	0	1	STAG-2 (PRIMARY CABLE TAG)		

Remarks:

- RETAG 1Ø SOUTH "TO PM 1003". PREVIOUSLY POLE 0703.

*****REPEAT TO PM 1003*****

Structure: (034) PED 1303*PED 3

Assembly Unit	Activity	#Cond	Qty	Unit Description	Complete	Qty
4/0 RIBB	Install	1	100	4/0 3-WIRE SECONDARY		
SHUR2-3	Install	1	5	SHUR2-3 (SECONDARY TRENCH - HAND DIG)		
SUK5	Install	0	1	SUK5 (Secondary Assembly Underground Cable)		
SUM5012H	Install	1	100	SUM5012H - Conduit ((1) 2" HDPE CONDUIT)		
SUK5	Remove	0	1	SUK5 (Secondary Assembly Underground Cable)		
2 RIBB Secondary	Abandon	1	250	#2 3-WIRE SECONDARY		

Remarks:

- REPLACE PED IN PLACE.

Chugach Electric Association 5601 Electron Drive Anchorage, AK 99518	Designer/Project Engineer _____ Date ____/____/____ Checker _____ Date ____/____/____ Manager/Supervisor _____ Date ____/____/____
--	--

Project: E1913870 Design: O'MALLEY SOA ROAD RELOCATION

In Design

O'MALLEY ROAD RELOCATION

Grid: 1929

Structure: (035) PED 0203

Assembly Unit	Activity	#Cond	Qty	Unit Description	Complete	Qty
4/0 RIBB	Install	1	225	4/0 3-WIRE SECONDARY		
SUK5	Install	0	1	SUK5 (Secondary Assembly Underground Cable)		
SUM5012H	Install	1	225	SUM5012H - Conduit ((1) 2" HDPE CONDUIT)		
SUR2-3	Install	1	40	SUR2-3 (SECONDARY TRENCH)		

Remarks:

- TRENCH PROVIDED FOR OVERLAP IN BORE.

*****REPEAT TO SC 1145*****

Structure: (036) SPLICE PT #1

Assembly Unit	Activity	#Cond	Qty	Unit Description	Complete	Qty
2 CONC 3 PH	Install	3	130	2 CONC Wire 3 PH (#2 CONCENTRIC PRIMARY)		
SHUR2-5	Install	1	20	SHUR2-5 (PRIMARY TRENCH HAND -DIG)		
SUM5024H	Install	1	130	SUM5024H - Conduit ((2) 4" HDPE CONDUIT)		
SUM6-28A 3 PH	Install	0	1	SUM6-28A (#2 PRIMARY SPLICE)		
SUME490F4	Install	0	2	SUME490F4 (4" FG 90 48")		

Remarks:

- VERIFY WIRE SIZE PRIOR TO SPLICING.
 - (2) SUME490F4 SWEEPS PROVIDED TO TRANSITION PIPE FROM WEST TO NORTH.
 - SAND EMBED SPLICES AS REQUIRED.
 - INSTALL LOCATOR DISK ABOVE SPLICE.

Structure: (037) PM 11

Assembly Unit	Activity	#Cond	Qty	Unit Description	Complete	Qty
STAG-2	Install	0	1	STAG-2 (PRIMARY CABLE TAG)		
STAG-2	Remove	0	1	STAG-2 (PRIMARY CABLE TAG)		

Remarks:

- RETAG 3Ø SOUTH "TO SC 1145". PREVIOUSLY POLE A51A.

*****REPEAT TO SC 1145*****

Structure: (038) VAULT 4403

Assembly Unit	Activity	#Cond	Qty	Unit Description	Complete	Qty
750 CONC 15KV	Install	3	790	750 CONC 15KV (WIRE, AL JCN 750MCM EPR)		
SUM5026H	Install	1	790	SUM5026H - Conduit ((2) 6" HDPE CONDUIT)		

Remarks:

*****REPEAT TO VAULT 4403*****

Structure: (039) SC 1146

Assembly Unit	Activity	#Cond	Qty	Unit Description	Complete	Qty
750 CONC 15KV	Install	3	20	750 CONC 15KV (WIRE, AL JCN 750MCM EPR)		
750 CONC 15KV	Install	3	20	750 CONC 15KV (WIRE, AL JCN 750MCM EPR)		
SUM1F	Install	0	1	SUM1F (CONCRETE PAD 600 A SWITCH CAB.)		
SUM3-9	Install	0	1	SUM3-9 (600 A SC 2 FUSES 2 SWITCHES)		
SUM5026H	Install	1	20	SUM5026H - Conduit ((2) 6" HDPE CONDUIT)		
SUM5026H	Install	1	20	SUM5026H - Conduit ((2) 6" HDPE CONDUIT)		
SUM6-25C 1 PH	Install	0	1	SUM6-25C (1/0 PRIMARY TERMINATION)		
SUM6-25C 1 PH	Install	0	1	SUM6-25C (1/0 PRIMARY TERMINATION)		
SUM6-25F 3 PH	Install	0	1	SUM6-25F (750 MCM PRIMARY TERMINATION)		
SUM6-25F 3 PH	Install	0	1	SUM6-25F (750 MCM PRIMARY TERMINATION)		
SUM6-36A	Install	0	1	SUM6-36A (FUSE, S&C END FITTING SML-20)		
SUM6-36A	Install	0	1	SUM6-36A (FUSE, S&C END FITTING SML-20)		
SUM6-4EL	Install	0	1	3-PH UG CURNT RESET FI, 600A TRIP		
SUME645F5	Install	0	4	SUME645F5 (6" FG 45 60")		

Remarks:

- FACE SWITCH CABINET SUCH THAT THE DOORS OPEN EAST/WEST.
 - INSTALL FAULT INDICATOR IN COMPARTMENT 1.

Structure: (040) PM 3998

Assembly Unit	Activity	#Cond	Qty	Unit Description	Complete	Qty
1/0 CONC	Install	1	295	1/0 CONC Wire (1/0 CONCENTRIC PRIMARY)		
BORE	Install	1	140	BORE		

Chugach Electric Association 5601 Electron Drive Anchorage, AK 99518	Designer/Project Engineer _____ Date ____/____/____ Checker _____ Date ____/____/____ Manager/Supervisor _____ Date ____/____/____
--	--

Project: E1913870

Design: O'MALLEY SOA ROAD RELOCATION

In Design

O'MALLEY ROAD RELOCATION

Grid: 1929

Structure: (040) PM 3998

Assembly Unit	Activity	#Cond	Qty	Unit Description	Complete	Qty
SUG7-25	Install	0	1	SUG7-25 (XFMR, PM, 25 KVA, 1 PH, LOOP)		
SUM1	Install	0	1	SUM1 (CONCRETE PAD 1 PH XFMR)		
SUM5022H	Install	1	295	SUM5022H - Conduit ((2) 2" HDPE CONDUIT)		
SUM6-1C 1 PH	Install	0	1	SUM6-1C (1/0 LB ELBOW TERMINATION-15KV)		
SUM6-1C 1 PH	Install	0	1	SUM6-1C (1/0 LB ELBOW TERMINATION-15KV)		
SUME290S3	Install	0	2	SUME290S3 (2" RSC 90 36")		
SUR2-5	Install	1	155	SUR2-5 (PRIMARY TRENCH)		
SURCP	Install	1	35	SURCP (PARKING LOT CROSSING)		

Remarks:

- (2) SUME290S3 CONDUITS FOR THE SOUTH SIDE OF THE ROAD TO TRENCH WEST TO PM 3997.

Structure: (040A) LOT 8

Assembly Unit	Activity	#Cond	Qty	Unit Description	Complete	Qty
2/0 RIBB Service	Install	1	160	2/0 3-WIRE SERVICE		
SHUR2-3	Install	1	20	SHUR2-3 (SECONDARY TRENCH - HAND DIG)		
SUM5012H	Install	1	160	SUM5012H - Conduit ((1) 2" HDPE CONDUIT)		
SUR2-3	Install	1	140	SUR2-3 (SECONDARY TRENCH)		
SURCP	Install	1	15	SURCP (PARKING LOT CROSSING)		
XSUM8	Install	0	1	XSUM8 (SERVICE CONVERSION)		
2 TPX Secondary	Remove	1	150	2 TPX OH SECONDARY CONDUCTOR		
2 TPX Service	Remove	1	87	2 TPX OH SERVICE CONDUCTOR		
J11	Remove	0	1	J11 (SECONDARY DEADEND)		
POLE35/5	Remove	0	1	POLE35/5 (POLE, 035 CLASS 5)		
SM52-3	Remove	0	1	SM52-3 (POLE NUMBER)		

Remarks:

- FOLLOW THE EXISTING OVERHEAD ROUTE FROM THE SP TO THE HOUSE MINIMIZING THE AMOUNT OF CLEARING REQUIRED.
 - COMPACT AND REPAIR ASPHALT DRIVEWAY AS REQUIRED.
 - COORDINATE WITH JIM LAMBERTSON AT 907.346.2608.

Structure: (041) PM 4998

Assembly Unit	Activity	#Cond	Qty	Unit Description	Complete	Qty
1/0 CONC	Install	1	255	1/0 CONC Wire (1/0 CONCENTRIC PRIMARY)		
SHUR2-5	Install	1	15	SHUR2-5 (PRIMARY TRENCH HAND -DIG)		
SUG7-25	Install	0	1	SUG7-25 (XFMR, PM, 25 KVA, 1 PH, LOOP)		
SUM1	Install	0	1	SUM1 (CONCRETE PAD 1 PH XFMR)		
SUM5022H	Install	1	255	SUM5022H - Conduit ((2) 2" HDPE CONDUIT)		
SUM6-1C 1 PH	Install	0	1	SUM6-1C (1/0 LB ELBOW TERMINATION-15KV)		
SUM6-1C 1 PH	Install	0	1	SUM6-1C (1/0 LB ELBOW TERMINATION-15KV)		
SUR2-5	Install	1	90	SUR2-5 (PRIMARY TRENCH)		

Remarks:

Structure: (042) PED 4498

Assembly Unit	Activity	#Cond	Qty	Unit Description	Complete	Qty
4/0 RIBB	Install	1	125	4/0 3-WIRE SECONDARY		
SUK5	Install	0	1	SUK5 (Secondary Assembly Underground Cable)		
SUM5012H	Install	1	125	SUM5012H - Conduit ((1) 2" HDPE CONDUIT)		

Remarks:

Structure: (042A) LOT 9

Assembly Unit	Activity	#Cond	Qty	Unit Description	Complete	Qty
2/0 RIBB Service	Install	1	15	2/0 3-WIRE SERVICE		
SUM5012H	Install	1	15	SUM5012H - Conduit ((1) 2" HDPE CONDUIT)		
SUR2-3	Install	1	15	SUR2-3 (SECONDARY TRENCH)		
XSUM8	Install	0	1	XSUM8 (SERVICE CONVERSION)		
2 TPX Secondary	Remove	1	176	2 TPX OH SECONDARY CONDUCTOR		
J11	Remove	0	1	J11 (SECONDARY DEADEND)		
POLE40/4	Remove	0	1	POLE40/4 (POLE, 040 CLASS 4)		
SM52-3	Remove	0	1	SM52-3 (POLE NUMBER)		

Chugach Electric Association
 5601 Electron Drive
 Anchorage, AK 99518

Designer/Project Engineer _____ Date ____/____/____
 Checker _____ Date ____/____/____
 Manager/Supervisor _____ Date ____/____/____

Project: E1913870 Design: O'MALLEY SOA ROAD RELOCATION

In Design

O'MALLEY ROAD RELOCATION

Grid: 1929

Remarks:

- THIS CONSUMER HAS A REMOTE SERVICE AND WILL REQUIRE A NEW REMOTE SERVICE TO BE INSTALLED NEAR THE OLD ONE.
- COORDINATE WITH TES MUTTON AT 602.7069.

*****REPEAT TO PM 4998*****

Structure: (043) POLE 4996

Assembly Unit	Activity	#Cond	Qty	Unit Description	Complete	Qty
1/0 CONC	Install	1	25	1/0 CONC Wire (1/0 CONCENTRIC PRIMARY)		
A5	Install	0	1	A5 (VERTICAL SINGLE DEADEND)		
M2-11	Install	0	1	M2-11 (POLE GROUNDING ASSY)		
POLE40/2	Install	0	1	POLE40/2 (POLE, 040 CLASS 2)		
SE1-5	Install	0	1	SE1-5 (DOWN GUY, SINGLE, 16M)		
SF4P	Install	0	1	SF4P (ANCHOR,PLATE,16M, 3/4" X 8" RO)		
SM52-3	Install	0	1	SM52-3 (POLE NUMBER)		
SM5-9PC	Install	0	1	CUTOUT ASSEMBLY SOLID BLADE POLE MT		
SUA3	Install	0	1	SUA3 (PRI RISER 1 PH UNDRGRND SOURCE)		
SUM5012SR	Install	0	1	FIRST 10FT SPARE EMPTY 2" S RISER		
SUM5022H	Install	1	25	SUM5022H - Conduit ((2) 2" HDPE CONDUIT)		
SUM6-25C 1 PH	Install	0	1	SUM6-25C (1/0 PRIMARY TERMINATION)		
SUME290S3	Install	0	2	SUME290S3 (2" RSC 90 36")		

Remarks:

- GUY LEAD, 18'

*****REPEAT TO VAULT 4403*****

Structure: (044) VAULT 8203

Assembly Unit	Activity	#Cond	Qty	Unit Description	Complete	Qty
750 CONC 15KV	Install	3	1,010	750 CONC 15KV (WIRE, AL JCN 750MCM EPR)		
750 CONC 15KV	Install	3	1,010	750 CONC 15KV (WIRE, AL JCN 750MCM EPR)		
BORE	Install	1	200	BORE		
SUM5026H	Install	1	1,010	SUM5026H - Conduit ((2) 6" HDPE CONDUIT)		
SUM5026H	Install	1	1,010	SUM5026H - Conduit ((2) 6" HDPE CONDUIT)		
SUM6-28C 1 PH	Install	0	1	SUM6-28C (1/0 PRIMARY SPLICE-15KV)		
SUM6-28F 3 PH	Install	0	1	SUM6-28F (750 MCM PRIMARY SPLICE)		
SUM6-28F 3 PH	Install	0	1	SUM6-28F (750 MCM PRIMARY SPLICE)		
SUM6-6	Install	0	4	SUM6-6 (GROUNDING ASSY)		
SUMH-810	Install	0	1	Pull Vault - 8x10		
SUMV-1	Install	0	10	CABLE RACK RAO8 & STANCHION		
SUMV-1A	Install	0	10	CABLE RACK RAO8		
SUR2-5	Install	1	710	SUR2-5 (PRIMARY TRENCH)		
SUR2-DT	Install	1	100	SUR2-DT (DEEP PRIMARY TRENCH)		
SURCP	Install	1	100	SURCP (PARKING LOT CROSSING)		
XUR2-11C	Install	0	8	XUR2-11C (DRAIN ROCK)		
XUR2-12	Install	0	12	XUR2-12 (EXPORT)		

Remarks:

- INSTALL DRAIN ROCK AS REQUIRED. REFER TO NOTES ON THE COVER PAGE.
- DEEP TRENCH PROVIDED TO TRANSITION FROM A STANDARD 4' TRENCH TO A DEEPER TRENCH WHEN ENTERING/EXITING THE VAULT.
- SEE WORK LOCATION 42 FOR ADDITIONAL UNITS FOR O'MALLEY 312 FROM SC 1147.
- SURCP PROVIDED FOR DRIVEWAYS.

*****REPEAT TO SC 1146*****

Structure: (045) PM 4603

Assembly Unit	Activity	#Cond	Qty	Unit Description	Complete	Qty
1/0 CONC	Install	1	15	1/0 CONC Wire (1/0 CONCENTRIC PRIMARY)		
SUG7-25	Install	0	1	SUG7-25 (XFMR, PM, 25 KVA, 1 PH, LOOP)		
SUM1	Install	0	1	SUM1 (CONCRETE PAD 1 PH XFMR)		
SUM5012H	Install	1	15	SUM5012H - Conduit ((1) 2" HDPE CONDUIT)		
SUM6-1C 1 PH	Install	0	1	SUM6-1C (1/0 LB ELBOW TERMINATION-15KV)		
SUM6-1C 1 PH	Install	0	1	SUM6-1C (1/0 LB ELBOW TERMINATION-15KV)		

Remarks:

Structure: (045A) STREETLIGHT#3

Assembly Unit	Activity	#Cond	Qty	Unit Description	Complete	Qty
---------------	----------	-------	-----	------------------	----------	-----

Chugach Electric Association 5601 Electron Drive Anchorage, AK 99518	Designer/Project Engineer _____ Date ____/____/____ Checker _____ Date ____/____/____ Manager/Supervisor _____ Date ____/____/____
--	--

Project: E1913870 Design: O'MALLEY SOA ROAD RELOCATION

In Design

O'MALLEY ROAD RELOCATION

Grid: 1929

Structure: (045A) STREETLIGHT#3

Assembly Unit	Activity	#Cond	Qty	Unit Description	Complete	Qty
6/2 UF	Install	1	115	#6 DB 2 WIRE STREETLIGHT CNDCT		
SL5AL	Install	0	1	LED STREET LIGHT, 150W HPS EQ		
SUM5011.5H	Install	1	115	(1) 1.5" HDPE CONDUIT		
SUR2-5	Install	1	5	SUR2-5 (PRIMARY TRENCH)		

Remarks:

- ADDITIONAL TRENCH PROVIDED FOR WHAT IS NOT IN COMMON TRENCH.

Structure: (046) PM 5503

Assembly Unit	Activity	#Cond	Qty	Unit Description	Complete	Qty
1/0 CONC	Install	1	250	1/0 CONC Wire (1/0 CONCENTRIC PRIMARY)		
SUG7-25	Install	0	1	SUG7-25 (XFMR, PM, 25 KVA, 1 PH, LOOP)		
SUM1	Install	0	1	SUM1 (CONCRETE PAD 1 PH XFMR)		
SUM5022H	Install	1	250	SUM5022H - Conduit ((2) 2" HDPE CONDUIT)		
SUM6-1C 1 PH	Install	0	1	SUM6-1C (1/0 LB ELBOW TERMINATION-15KV)		
SUM6-1C 1 PH	Install	0	1	SUM6-1C (1/0 LB ELBOW TERMINATION-15KV)		

Remarks:

Structure: (046A) LOT 1

Assembly Unit	Activity	#Cond	Qty	Unit Description	Complete	Qty
2 RIBB Service	Install	1	110	2 RIBB Wire Service (#2 3-WIRE SERVICE)		
SHUR2-3	Install	1	5	SHUR2-3 (SECONDARY TRENCH - HAND DIG)		
SUM5012H	Install	1	110	SUM5012H - Conduit ((1) 2" HDPE CONDUIT)		
SUR2-3	Install	1	35	SUR2-3 (SECONDARY TRENCH)		
2 TPX Service	Remove	1	74	2 TPX OH SERVICE CONDUCTOR		
J11	Remove	0	1	J11 (SECONDARY DEADEND)		
POLE35/5	Remove	0	1	POLE35/5 (POLE, 035 CLASS 5)		
2 RIBB Service	Abandon	1	55	2 RIBB Wire Service (#2 3-WIRE SERVICE)		

Remarks:

- UTILIZE JOINT TRENCH ALONG FRONT OF PROPERTY FOR SERVICE UNTIL REACHING DRIVEWAY. FOLLOW DRIVEWAY EDGE TO SERVICE LOCATION.
 - HAND DIG PROVIDED TO EXPOSE EXISTING UG SERVICE.
 - COORDINATE WITH MICHAEL MONTGOMERY AT 907.229.4488.

Structure: (047) PM 6003

Assembly Unit	Activity	#Cond	Qty	Unit Description	Complete	Qty
1/0 CONC	Install	1	130	1/0 CONC Wire (1/0 CONCENTRIC PRIMARY)		
SHUR2-3	Install	1	5	SHUR2-3 (SECONDARY TRENCH - HAND DIG)		
SUG7-25	Install	0	1	SUG7-25 (XFMR, PM, 25 KVA, 1 PH, LOOP)		
SUM1	Install	0	1	SUM1 (CONCRETE PAD 1 PH XFMR)		
SUM5022H	Install	1	130	SUM5022H - Conduit ((2) 2" HDPE CONDUIT)		
SUM6-10	Install	0	1	SUM6-10 (200A BUSHING CAP)		
SUM6-15	Install	0	1	SUM6-15 (200A PARKING STAND)		
SUM6-1C 1 PH	Install	0	1	SUM6-1C (1/0 LB ELBOW TERMINATION-15KV)		
SUM6-1C 1 PH	Install	0	1	SUM6-1C (1/0 LB ELBOW TERMINATION-15KV)		

Remarks:

- INTERCEPT SERVICE FOR LOT 2. HAND DIG PROVIDED.
 - ESTABLISH N.O. EAST TO PM 6603.

Structure: (048)PM 6603

Assembly Unit	Activity	#Cond	Qty	Unit Description	Complete	Qty
1/0 CONC	Install	1	170	1/0 CONC Wire (1/0 CONCENTRIC PRIMARY)		
SHUR2-3	Install	1	5	SHUR2-3 (SECONDARY TRENCH - HAND DIG)		
SUG7-25	Install	0	1	SUG7-25 (XFMR, PM, 25 KVA, 1 PH, LOOP)		
SUM1	Install	0	1	SUM1 (CONCRETE PAD 1 PH XFMR)		
SUM5022H	Install	1	170	SUM5022H - Conduit ((2) 2" HDPE CONDUIT)		
SUM6-1C 1 PH	Install	0	1	SUM6-1C (1/0 LB ELBOW TERMINATION-15KV)		
SUM6-1C 1 PH	Install	0	1	SUM6-1C (1/0 LB ELBOW TERMINATION-15KV)		

Remarks:

- INTERCEPT SERVICE FOR LOT 4. HAND DIG PROVIDED.

Structure: (048A) LOT 3

Assembly Unit	Activity	#Cond	Qty	Unit Description	Complete	Qty
2/0 RIBB Service	Install	1	240	2/0 3-WIRE SERVICE		
SUM5012H	Install	1	240	SUM5012H - Conduit ((1) 2" HDPE CONDUIT)		

Chugach Electric Association 5601 Electron Drive Anchorage, AK 99518	Designer/Project Engineer _____ Date ____/____/____
	Checker _____ Date ____/____/____
	Manager/Supervisor _____ Date ____/____/____

Project: E1913870

Design: O'MALLEY SOA ROAD RELOCATION

In Design

O'MALLEY ROAD RELOCATION

Grid: 1929

Structure: (048A) LOT 3

Assembly Unit	Activity	#Cond	Qty	Unit Description	Complete	Qty
SUR2-3	Install	1	175	SUR2-3 (SECONDARY TRENCH)		
XSUM8	Install	0	1	XSUM8 (SERVICE CONVERSION)		
2 TPX Secondary	Remove	1	138	2 TPX OH SECONDARY CONDUCTOR		
2 TPX Service	Remove	1	75	2 TPX OH SERVICE CONDUCTOR		
J11	Remove	0	1	J11 (SECONDARY DEADEND)		
POLE35/5	Remove	0	1	POLE35/5 (POLE, 035 CLASS 5)		

Remarks:

- CONVERT O.H. SERVICE TO U.G. SERVICE.
- SOME CLEARING WILL BE REQUIRED.
- COORDINATE WITH SUSAN TAKUICHI AT 719.201.9036.

Structure: (049) PM 7503

Assembly Unit	Activity	#Cond	Qty	Unit Description	Complete	Qty
1/0 CONC	Install	1	230	1/0 CONC Wire (1/0 CONCENTRIC PRIMARY)		
SUG7-25	Install	0	1	SUG7-25 (XFMR, PM, 25 KVA, 1 PH, LOOP)		
SUM1	Install	0	1	SUM1 (CONCRETE PAD 1 PH XFMR)		
SUM5022H	Install	1	230	SUM5022H - Conduit ((2) 2" HDPE CONDUIT)		
SUM6-1C 1 PH	Install	0	1	SUM6-1C (1/0 LB ELBOW TERMINATION-15KV)		
SUM6-1C 1 PH	Install	0	1	SUM6-1C (1/0 LB ELBOW TERMINATION-15KV)		

Remarks:

Structure: (049A) LOT 5

Assembly Unit	Activity	#Cond	Qty	Unit Description	Complete	Qty
2/0 RIBB Service	Install	1	290	2/0 3-WIRE SERVICE		
SUM5012H	Install	1	290	SUM5012H - Conduit ((1) 2" HDPE CONDUIT)		
SUR2-3	Install	1	290	SUR2-3 (SECONDARY TRENCH)		
SURCP	Install	1	60	SURCP (PARKING LOT CROSSING)		
XSUM8	Install	0	1	XSUM8 (SERVICE CONVERSION)		
2 TPX Service	Remove	1	76	2 TPX OH SERVICE CONDUCTOR		
J11	Remove	0	1	J11 (SECONDARY DEADEND)		
POLE35/5	Remove	0	1	POLE35/5 (POLE, 035 CLASS 5)		
SUM5	Remove	0	1	SUM5 (SECONDARY RISER)		
2/0 RIBB Service	Abandon	1	230	2/0 3-WIRE SERVICE		

Remarks:

- THIS SERVICE IS EXISTING UNDERGROUND. A SERVICE CONVERSION IS PROVIDED IN CASE THE EXISTING METER BASE IS NOT SUFFICIENT TO ACCEPT 2/0 RIBB DUE TO THE DISTANCE OF THE SERVICE RUN.
- COORDINATE WITH CHRISTINA JONES 907.223.3494.

Structure: (049B) LOT 6

Assembly Unit	Activity	#Cond	Qty	Unit Description	Complete	Qty
2/0 RIBB Service	Install	1	120	2/0 3-WIRE SERVICE		
SUM5012H	Install	1	120	SUM5012H - Conduit ((1) 2" HDPE CONDUIT)		
SUR2-3	Install	1	120	SUR2-3 (SECONDARY TRENCH)		
XSUM8	Install	0	1	XSUM8 (SERVICE CONVERSION)		
2 TPX Service	Remove	1	100	2 TPX OH SERVICE CONDUCTOR		

Remarks:

- CONVERT FROM O.H. TO U.G. SERVICE.
- COORDINATE WITH LORETTA CURGUS 907.346.2553.

*****REPEAT TO SC 1147*****

Structure: (050) SC 1147

Assembly Unit	Activity	#Cond	Qty	Unit Description	Complete	Qty
1/0 CONC	Install	1	220	1/0 CONC Wire (1/0 CONCENTRIC PRIMARY)		
SUM1F	Install	0	1	SUM1F (CONCRETE PAD 600 A SWITCH CAB.)		
SUM3-9	Install	0	1	SUM3-9 (600 A SC 2 FUSES 2 SWITCHES)		
SUM5022H	Install	1	220	SUM5022H - Conduit ((2) 2" HDPE CONDUIT)		
SUM6-25C 1 PH	Install	0	1	SUM6-25C (1/0 PRIMARY TERMINATION)		
SUM6-25C 1 PH	Install	0	1	SUM6-25C (1/0 PRIMARY TERMINATION)		
SUM6-25C 1 PH	Install	0	1	SUM6-25C (1/0 PRIMARY TERMINATION)		
SUM6-25F 3 PH	Install	0	1	SUM6-25F (750 MCM PRIMARY TERMINATION)		
SUM6-25F 3 PH	Install	0	1	SUM6-25F (750 MCM PRIMARY TERMINATION)		
SUM6-36A	Install	0	1	SUM6-36A (FUSE, S&C END FITTING SML-20)		
SUM6-36A	Install	0	1	SUM6-36A (FUSE, S&C END FITTING SML-20)		

Chugach Electric Association
 5601 Electron Drive
 Anchorage, AK 99518

Designer/Project Engineer _____ Date ____/____/____
 Checker _____ Date ____/____/____
 Manager/Supervisor _____ Date ____/____/____

Project: E1913870 Design: O'MALLEY SOA ROAD RELOCATION

In Design

O'MALLEY ROAD RELOCATION

Grid: 1929

Structure: (050) SC 1147

<u>Assembly Unit</u>	<u>Activity</u>	<u>#Cond</u>	<u>Qty</u>	<u>Unit Description</u>	<u>Complete</u>	<u>Qty</u>
SUM6-36A	Install	0	1	SUM6-36A (FUSE, S&C END FITTING SML-20)		
SUM6-4EL	Install	0	1	3-PH UG CURNT RESET FI, 600A TRIP		
SUME645F5	Install	0	4	SUME645F5 (6" FG 45 60")		

Remarks:

- FACE SWITCH CABINET SUCH THAT THE DOORS OPEN EAST/WEST.
- TRENCH FOR 1/0 CONC PAST VAULT 8203 TO SC 1147 IS COVERED UNDER WORK LOCATION 51.
- INSTALL FAULT INDICATOR IN COMPARTMENT 1.

Structure: (051) VAULT 8203

<u>Assembly Unit</u>	<u>Activity</u>	<u>#Cond</u>	<u>Qty</u>	<u>Unit Description</u>	<u>Complete</u>	<u>Qty</u>
1/0 CONC	Install	1	20	1/0 CONC Wire (1/0 CONCENTRIC PRIMARY)		
750 CONC 15KV	Install	3	20	750 CONC 15KV (WIRE, AL JCN 750MCM EPR)		
SUM5022H	Install	1	20	SUM5022H - Conduit ((2) 2" HDPE CONDUIT)		
SUM5026H	Install	1	20	SUM5026H - Conduit ((2) 6" HDPE CONDUIT)		
SUR2-5	Install	1	20	SUR2-5 (PRIMARY TRENCH)		

Remarks:

Structure: (052) PM 7783

<u>Assembly Unit</u>	<u>Activity</u>	<u>#Cond</u>	<u>Qty</u>	<u>Unit Description</u>	<u>Complete</u>	<u>Qty</u>
1/0 CONC	Install	1	660	1/0 CONC Wire (1/0 CONCENTRIC PRIMARY)		
BORE	Install	1	160	BORE		
SHUR2-5	Install	1	20	SHUR2-5 (PRIMARY TRENCH HAND -DIG)		
SUG6-50	Install	0	1	SUG6-50 (XFMR, PM, 50 KVA, 1 PH, RADIAL)		
SUM1	Install	0	1	SUM1 (CONCRETE PAD 1 PH XFMR)		
SUM5022H	Install	1	660	SUM5022H - Conduit ((2) 2" HDPE CONDUIT)		
SUM6-1C 1 PH	Install	0	1	SUM6-1C (1/0 LB ELBOW TERMINATION-15KV)		
SUME290S3	Install	0	2	SUME290S3 (2" RSC 90 36")		
SUR2-5	Install	1	330	SUR2-5 (PRIMARY TRENCH)		
SURCP	Install	1	70	SURCP (PARKING LOT CROSSING)		

Remarks:

- (2) SUME290S3 CONDUITS FOR THE NORTH SIDE OF THE ROAD AT THE END OF THE BORE.
- IN COMMON TRENCH ALONG THE NORTH SIDE OF THE ROAD.

Structure: (052A) LOAD CENTER

<u>Assembly Unit</u>	<u>Activity</u>	<u>#Cond</u>	<u>Qty</u>	<u>Unit Description</u>	<u>Complete</u>	<u>Qty</u>
2/0 RIBB Service	Install	1	25	2/0 3-WIRE SERVICE		
SUM5012H	Install	1	25	SUM5012H - Conduit ((1) 2" HDPE CONDUIT)		
SUR2-3	Install	1	10	SUR2-3 (SECONDARY TRENCH)		
2/0 RIBB Secondary	Abandon	1	28	2/0 3-WIRE SERVIE		

Remarks:

- INSTALL IN COMMON TRENCH FOR 15'.

Structure: (053) POLE 7884

<u>Assembly Unit</u>	<u>Activity</u>	<u>#Cond</u>	<u>Qty</u>	<u>Unit Description</u>	<u>Complete</u>	<u>Qty</u>
4/0 RIBB	Install	1	25	4/0 3-WIRE SECONDARY		
SE1-5	Install	0	1	SE1-5 (DOWN GUY, SINGLE, 16M)		
SF4P	Install	0	1	SF4P (ANCHOR,PLATE,16M, 3/4" X 8' RO)		
SUM5	Install	0	1	SUM5 (SECONDARY RISER)		
SUM5012H	Install	1	25	SUM5012H - Conduit ((1) 2" HDPE CONDUIT)		
SUME290S2	Install	0	1	SUME290S2 (2" RSC 90 24")		
SUR2-3	Install	1	25	SUR2-3 (SECONDARY TRENCH)		
SE1-3	Remove	0	1	SE1-3 (DOWN GUY, SINGLE, 10M)		
SE1-3	Remove	0	1	SE1-3 (DOWN GUY, SINGLE, 10M)		
SF4P	Remove	0	1	SF4P (ANCHOR,PLATE,16M, 3/4" X 8' RO)		
SF4P	Remove	0	1	SF4P (ANCHOR,PLATE,16M, 3/4" X 8' RO)		
SG9-50	Remove	0	1	SG9-50 (XFMR,1PH,50 KVA,1PH, TANGENT)		
SUM5	Remove	0	1	SUM5 (SECONDARY RISER)		

Chugach Electric Association
5601 Electron Drive
Anchorage, AK 99518

Designer/Project Engineer _____ Date ____/____/____
 Checker _____ Date ____/____/____
 Manager/Supervisor _____ Date ____/____/____

Project: E1913870

Design: O'MALLEY SOA ROAD RELOCATION

In Design

O'MALLEY ROAD RELOCATION

Grid: 1929

Remarks:

- GUY AT 15'.
- INSTALL SECONDARY RISER TO RE-SERVE EXISTING OH SERVICES.
- SEE WORK LOCATION 59 FOR WIRE AND FRAMING REMOVAL.

*****REPEAT TO VAULT 8203*****

Structure: (054) SC 1149

Assembly Unit	Activity	#Cond	Qty	Unit Description	Complete	Qty
750 CONC 15KV	Install	3	365	750 CONC 15KV (WIRE, AL JCN 750MCM EPR)		
BORE	Install	1	215	BORE		
SHUR2-5	Install	1	100	SHUR2-5 (PRIMARY TRENCH HAND -DIG)		
SUM1F	Install	0	1	SUM1F (CONCRETE PAD 600 A SWITCH CAB.)		
SUM3-11	Install	0	1	SUM3-11 (600 A SC 1 FUSE 3 SWITCHES)		
SUM5026H	Install	1	365	SUM5026H - Conduit ((2) 6" HDPE CONDUIT)		
SUM6-25F 3 PH	Install	0	1	SUM6-25F (750 MCM PRIMARY TERMINATION)		
SUM6-25F 3 PH	Install	0	1	SUM6-25F (750 MCM PRIMARY TERMINATION)		
SUM6-25F 3 PH	Install	0	1	SUM6-25F (750 MCM PRIMARY TERMINATION)		
SUM6-4EL	Install	0	1	3-PH UG CURNT RESET FI, 600A TRIP		
SUME645F5	Install	0	6	SUME645F5 (6" FG 45 60")		
SUR2-5	Install	1	50	SUR2-5 (PRIMARY TRENCH)		

Remarks:

- INSTALL FAULT INDICATOR IN COMPARTMENT 1.
- FACE SWITCH CABINET SUCH THAT THE DOORS OPEN EAST/WEST.
- ADD SIGNAGE TO INDICATE OPPOSING FEEDER.

*****CAUTION OPPOSING FEEDER*****

Structure: (055) POLE9703 A55AA

Assembly Unit	Activity	#Cond	Qty	Unit Description	Complete	Qty
750 CONC 15KV	Install	3	20	750 CONC 15KV (WIRE, AL JCN 750MCM EPR)		
M2-11	Install	0	1	M2-11 (POLE GROUNDING ASSY)		
SC7A-1	Install	0	1	SC7A-1 (XARM SINGLE DEADEND)		
SE15	Install	0	1	SE15 (DOWN GUY, DBL. 32M)		
SE15	Install	0	1	SE15 (DOWN GUY, DBL. 32M)		
SF7C	Install	0	1	SF7C (ANCHOR, 7" CONCRETE)		
SF7C	Install	0	1	SF7C (ANCHOR, 7" CONCRETE)		
SHUR2-5	Install	1	10	SHUR2-5 (PRIMARY TRENCH HAND -DIG)		
SM52-3	Install	0	1	SM52-3 (POLE NUMBER)		
SUC3	Install	0	1	SUC3 (PRI RISER)		
SUM5016FR	Install	0	1	FIRST 10FT SPARE EMPTY 6" FG RISER		
SUM5026H	Install	1	20	SUM5026H - Conduit ((2) 6" HDPE CONDUIT)		
SUM6-25F 3 PH	Install	0	1	SUM6-25F (750 MCM PRIMARY TERMINATION)		
SUME690F5	Install	0	2	SUME690F5 (6" FG 90 60")		
SUR2-5	Install	1	10	SUR2-5 (PRIMARY TRENCH)		
C8-2	Remove	0	1	C8-2 (XARM DBL.D.E.LARGE CNDCTR)		
M5-2	Remove	0	1	M5-2 (PIN, POLE TOP W/INSULATOR)		
M5-5	Remove	0	4	M5-5 (CROSSARM PIN)		

Remarks:

*****REPEAT TO SC 1147*****

Structure: (056) SC 1148

Assembly Unit	Activity	#Cond	Qty	Unit Description	Complete	Qty
750 CONC 15KV	Install	3	335	750 CONC 15KV (WIRE, AL JCN 750MCM EPR)		
SUM1F	Install	0	1	SUM1F (CONCRETE PAD 600 A SWITCH CAB.)		
SUM3-11	Install	0	1	SUM3-11 (600 A SC 1 FUSE 3 SWITCHES)		
SUM5026H	Install	1	335	SUM5026H - Conduit ((2) 6" HDPE CONDUIT)		
SUM6-25C 1 PH	Install	0	1	SUM6-25C (1/0 PRIMARY TERMINATION)		
SUM6-25F 3 PH	Install	0	1	SUM6-25F (750 MCM PRIMARY TERMINATION)		
SUM6-25F 3 PH	Install	0	1	SUM6-25F (750 MCM PRIMARY TERMINATION)		
SUM6-25F 3 PH	Install	0	1	SUM6-25F (750 MCM PRIMARY TERMINATION)		
SUM6-36A	Install	0	1	SUM6-36A (FUSE, S&C END FITTING SML-20)		
SUM6-4EL	Install	0	1	3-PH UG CURNT RESET FI, 600A TRIP		
SUME645F5	Install	0	6	SUME645F5 (6" FG 45 60")		

Chugach Electric Association
 5601 Electron Drive
 Anchorage, AK 99518

Designer/Project Engineer _____ Date ____/____/____
 Checker _____ Date ____/____/____
 Manager/Supervisor _____ Date ____/____/____

Project: E1913870

Design: O'MALLEY SOA ROAD RELOCATION

In Design

O'MALLEY ROAD RELOCATION

Grid: 1929

Remarks:

- FACE SWITCH CABINET SUCH THAT THE DOORS OPEN EAST/WEST.
- INSTALL FAULT INDICATOR IN COMPARTMENT 1.

Structure: (056A) PB 9698

Assembly Unit	Activity	#Cond	Qty	Unit Description	Complete	Qty
750 CONC 15KV	Install	3	125	750 CONC 15KV (WIRE, AL JCN 750MCM EPR)		
BORE	Install	1	125	BORE		
SUM1-CA	Install	0	1	SUM1-CA (SUM1F METAL PAD COVERING)		
SUM1F	Install	0	1	SUM1F (CONCRETE PAD 600 A SWITCH CAB.)		
SUM5026H	Install	1	125	SUM5026H - Conduit ((2) 6" HDPE CONDUIT)		
SUM6-28F 3 PH	Install	0	1	SUM6-28F (750 MCM PRIMARY SPLICE)		
SUM6-6	Install	0	1	SUM6-6 (GROUNDING ASSY)		
SUME645F5	Install	0	4	SUME645F5 (6" FG 45 60")		

Remarks:

Structure: (057) POLE 9194

Assembly Unit	Activity	#Cond	Qty	Unit Description	Complete	Qty
750 CONC 15KV	Install	3	225	750 CONC 15KV (WIRE, AL JCN 750MCM EPR)		
POLE45/1	Install	0	1	POLE45/1 (POLE, 045 CLASS 1)		
SC7A-1	Install	0	1	SC7A-1 (XARM SINGLE DEADEND)		
SE15	Install	0	1	SE15 (DOWN GUY, DBL. 32M)		
SE15	Install	0	1	SE15 (DOWN GUY, DBL. 32M)		
SF7C	Install	0	1	SF7C (ANCHOR, 7' CONCRETE)		
SF7C	Install	0	1	SF7C (ANCHOR, 7' CONCRETE)		
SHUR2-5	Install	1	20	SHUR2-5 (PRIMARY TRENCH HAND -DIG)		
SM52-3	Install	0	1	SM52-3 (POLE NUMBER)		
SUC3	Install	0	1	SUC3 (PRI RISER)		
SUM5016FR	Install	0	1	FIRST 10FT SPARE EMPTY 6" FG RISER		
SUM5026H	Install	1	225	SUM5026H - Conduit ((2) 6" HDPE CONDUIT)		
SUM6-25F 3 PH	Install	0	1	SUM6-25F (750 MCM PRIMARY TERMINATION)		
SUME630F5	Install	0	4	SUME630F5 (6" FG 30 60")		
SUME690F5	Install	0	4	SUME690F5 (6" FG 90 60")		
SUR2-5	Install	1	205	SUR2-5 (PRIMARY TRENCH)		
SURCP	Install	1	15	SURCP (PARKING LOT CROSSING)		
336 ACSR	Remove	3	35	336 ACSR (OH PRIMARY CONDUCTOR)		
336 ACSR Neutral	Remove	1	35	336 ACSR Neutral		

Remarks:

- (2) SUME490F5 ARE FOR TURN FROM WEST TO SOUTH ON THE NORTH SIDE OF O'MALLEY ROAD.
- HAND DIG PROVIDED FOR CROSSING GAS LINE. CAUTION: A 12" TRANSMISSION LINE WILL REQUIRE ENSTAR TO BE ON SITE WHEN CROSSING.
- (4) SUME630F5 SWEEPS PROVIDED FOR GRADE CHANGE ON SOUTH SIDE OF THE ROAD.

Structure: (058) POLE RA

Assembly Unit	Activity	#Cond	Qty	Unit Description	Complete	Qty
336 ACSR	Remove	3	170	336 ACSR (OH PRIMARY CONDUCTOR)		
336 ACSR Neutral	Remove	1	170	336 ACSR Neutral		
C2	Remove	0	1	C2 (XARM DOUBLE SUPPORT)		
POLE45/3	Remove	0	1	POLE45/3 (POLE, 045 CLASS 3)		

Remarks:

*****REPEAT TO SC 1149*****

Structure: (059) SC 1148

Assembly Unit	Activity	#Cond	Qty	Unit Description	Complete	Qty
750 CONC 15KV	Install	3	20	750 CONC 15KV (WIRE, AL JCN 750MCM EPR)		
SUM5026H	Install	1	20	SUM5026H - Conduit ((2) 6" HDPE CONDUIT)		

Remarks:

*****REPEAT TO SC 1147*****

Structure: (060) PM 8303

Assembly Unit	Activity	#Cond	Qty	Unit Description	Complete	Qty
1/0 CONC	Install	1	15	1/0 CONC Wire (1/0 CONCENTRIC PRIMARY)		
SUG7-25	Install	0	1	SUG7-25 (XFMR, PM, 25 KVA, 1 PH, LOOP)		
SUM1	Install	0	1	SUM1 (CONCRETE PAD 1 PH XFMR)		
SUM5012H	Install	1	15	SUM5012H - Conduit ((1) 2" HDPE CONDUIT)		

Chugach Electric Association
5601 Electron Drive
Anchorage, AK 99518

Designer/Project Engineer _____ Date ____/____/____
 Checker _____ Date ____/____/____
 Manager/Supervisor _____ Date ____/____/____

Project: E1913870

Design: O'MALLEY SOA ROAD RELOCATION

In Design

O'MALLEY ROAD RELOCATION

Grid: 1929

Structure: (060) PM 8303

Assembly Unit	Activity	#Cond	Qty	Unit Description	Complete	Qty
SUM6-1C 1 PH	Install	0	1	SUM6-1C (1/0 LB ELBOW TERMINATION-15KV)		
SUM6-1C 1 PH	Install	0	1	SUM6-1C (1/0 LB ELBOW TERMINATION-15KV)		

Remarks:

Structure: (060A) STREETLIGHT#4

Assembly Unit	Activity	#Cond	Qty	Unit Description	Complete	Qty
6/2 UF	Install	1	15	#6 DB 2 WIRE STREETLIGHT CNDCT		
SL5AL	Install	0	1	LED STREET LIGHT, 150W HPS EQ		
SMR1	Install	0	1	AMI Router 1		
SUM5011.5H	Install	1	15	(1) 1.5" HDPE CONDUIT		

Remarks:

Structure: (061) PM 9503

Assembly Unit	Activity	#Cond	Qty	Unit Description	Complete	Qty
1/0 CONC	Install	1	300	1/0 CONC Wire (1/0 CONCENTRIC PRIMARY)		
SUG7-25	Install	0	1	SUG7-25 (XFMR, PM, 25 KVA, 1 PH, LOOP)		
SUM1	Install	0	1	SUM1 (CONCRETE PAD 1 PH XFMR)		
SUM5022H	Install	1	300	SUM5022H - Conduit ((2) 2" HDPE CONDUIT)		
SUM6-10	Install	0	1	SUM6-10 (200A BUSHING CAP)		
SUM6-15	Install	0	1	SUM6-15 (200A PARKING STAND)		
SUM6-1C 1 PH	Install	0	1	SUM6-1C (1/0 LB ELBOW TERMINATION-15KV)		
SUM6-1C 1 PH	Install	0	1	SUM6-1C (1/0 LB ELBOW TERMINATION-15KV)		

Remarks:

- ESTABLISH N.O. WEST TO PM 8303.

Structure: (062) PED 9003

Assembly Unit	Activity	#Cond	Qty	Unit Description	Complete	Qty
4/0 RIBB	Install	1	130	4/0 3-WIRE SECONDARY		
SHUR2-3	Install	1	25	SHUR2-3 (SECONDARY TRENCH - HAND DIG)		
SUK5	Install	0	1	SUK5 (Secondary Assembly Underground Cable)		
SUM5012H	Install	1	130	SUM5012H - Conduit ((1) 2" HDPE CONDUIT)		

Remarks:

- HAND DIG TO EXPOSE SERVICES FOR LOTS 8 AND 9 FROM PED 8903 AND RE-ROUTE TO PED 9003.

*****REPEAT TO PM 9503*****

Structure: (063) SC 1148

Assembly Unit	Activity	#Cond	Qty	Unit Description	Complete	Qty
1/0 CONC	Install	1	20	1/0 CONC Wire (1/0 CONCENTRIC PRIMARY)		
SUM5012H	Install	1	20	SUM5012H - Conduit ((1) 2" HDPE CONDUIT)		

Remarks:

*****REPEAT TO POLE 9702 *A55AA*****

Structure: (064) SP

Assembly Unit	Activity	#Cond	Qty	Unit Description	Complete	Qty
POLE40/4	Remove	0	1	POLE40/4 (POLE, 040 CLASS 4)		
SE15	Remove	0	1	SE15 (DOWN GUY, DBL. 32M)		
SEM-I42	Remove	0	4	SEM-I42 (GUY STRAIN INSULATOR-54")		
SF7C	Abandon	0	1	SF7C (ANCHOR, 7" CONCRETE)		

Remarks:

Structure: (065) POLE A55

Assembly Unit	Activity	#Cond	Qty	Unit Description	Complete	Qty
336 ACSR	Remove	3	185	336 ACSR (OH PRIMARY CONDUCTOR)		
336 ACSR Neutral	Remove	1	185	336 ACSR Neutral		
J11	Remove	0	1	J11 (SECONDARY DEADEND)		
M2-11	Remove	0	1	M2-11 (POLE GROUNDING ASSY)		
M5-5	Remove	0	6	M5-5 (CROSSARM PIN)		
POLE45/3	Remove	0	1	POLE45/3 (POLE, 045 CLASS 3)		
SC7-1	Remove	0	1	SC7-1 (XARM SINGLE DEADEND)		
SDC-C8A	Remove	0	1	SDC-C8A (DOUBLE CIRCUIT DOUBLE DEADEND)		
SE15	Remove	0	1	SE15 (DOWN GUY, DBL. 32M)		

Chugach Electric Association
5601 Electron Drive
Anchorage, AK 99518

Designer/Project Engineer _____ Date ____/____/____
 Checker _____ Date ____/____/____
 Manager/Supervisor _____ Date ____/____/____

Project: E1913870 Design: O'MALLEY SOA ROAD RELOCATION

In Design

O'MALLEY ROAD RELOCATION

Grid: 1929

Structure: (065) POLE A55

Assembly Unit	Activity	#Cond	Qty	Unit Description	Complete	Qty
SE15	Remove	0	1	SE15 (DOWN GUY, DBL. 32M)		
SEM-I42	Remove	0	4	SEM-I42 (GUY STRAIN INSULATOR-54")		
SG39-25	Remove	0	1	SG39-25 (XFMR,1PH,25 KVA, 3PH, TANGENT)		
SUM5	Remove	0	1	SUM5 (SECONDARY RISER)		
SF7C	Abandon	0	1	SF7C (ANCHOR, 7' CONCRETE)		
SF7C	Abandon	0	1	SF7C (ANCHOR, 7' CONCRETE)		

Remarks:

Structure: (066) POLE 8402

Assembly Unit	Activity	#Cond	Qty	Unit Description	Complete	Qty
336 ACSR	Remove	3	155	336 ACSR (OH PRIMARY CONDUCTOR)		
336 ACSR	Remove	3	155	336 ACSR (OH PRIMARY CONDUCTOR)		
336 ACSR Neutral	Remove	1	155	336 ACSR Neutral		
336 ACSR Neutral	Remove	1	155	336 ACSR Neutral		
6 DPX	Remove	1	155	6 DPX Wire (STREETLIGHT CONDUCTOR)		
J11	Remove	0	1	J11 (SECONDARY DEADEND)		
J11	Remove	0	1	J11 (SECONDARY DEADEND)		
M2-11	Remove	0	1	M2-11 (POLE GROUNDING ASSY)		
POLE45/3	Remove	0	1	POLE45/3 (POLE, 045 CLASS 3)		
SDC-C1	Remove	0	1	SDC-C1 (DBL. CIRCUIT TANGENT)		
SG39-25	Remove	0	1	SG39-25 (XFMR,1PH,25 KVA, 3PH, TANGENT)		
SL5-AA	Remove	0	1	SL5-AA (STREET LIGHT, 150 WATT HPS)		
SMR1	Remove	0	1	AMI Router 1		

Remarks:

Structure: (067) POLE A54A

Assembly Unit	Activity	#Cond	Qty	Unit Description	Complete	Qty
2 TPX Secondary	Remove	1	200	2 TPX OH SECONDARY CONDUCTOR		
336 ACSR	Remove	3	200	336 ACSR (OH PRIMARY CONDUCTOR)		
336 ACSR	Remove	3	200	336 ACSR (OH PRIMARY CONDUCTOR)		
336 ACSR Neutral	Remove	1	200	336 ACSR Neutral		
336 ACSR Neutral	Remove	1	200	336 ACSR Neutral		
A5-1	Remove	0	1	A5-1 (VERTICAL TAP)		
J11	Remove	0	1	J11 (SECONDARY DEADEND)		
J11	Remove	0	1	J11 (SECONDARY DEADEND)		
M2-11	Remove	0	1	M2-11 (POLE GROUNDING ASSY)		
POLE45/3	Remove	0	1	POLE45/3 (POLE, 045 CLASS 3)		
SDC-C1	Remove	0	1	SDC-C1 (DBL. CIRCUIT TANGENT)		
SE1-3	Remove	0	1	SE1-3 (DOWN GUY, SINGLE, 10M)		
SF4P	Remove	0	1	SF4P (ANCHOR,PLATE,16M, 3/4" X 8' RO)		
SG39-25	Remove	0	1	SG39-25 (XFMR,1PH,25 KVA, 3PH, TANGENT)		
SM5-9PB	Remove	0	1	CUTOUT ASSEMBLY LOAD BREAK POLE MT		
SUM5	Remove	0	1	SUM5 (SECONDARY RISER)		

Remarks:

Structure: (068) POLE A54AR1

Assembly Unit	Activity	#Cond	Qty	Unit Description	Complete	Qty
2 ACSR 1 PH	Remove	1	390	2 ACSR Conductor 1 PH (OH PRIMARY CONDUCTOR)		
2 ACSR Neutral	Remove	1	390	2 ACSR Neutral		
A2	Remove	0	1	A2 (DOUBLE PRIMARY SUPPORT)		
POLE40/4	Remove	0	1	POLE40/4 (POLE, 040 CLASS 4)		
SE1-3	Remove	0	1	SE1-3 (DOWN GUY, SINGLE, 10M)		
SF4P	Remove	0	1	SF4P (ANCHOR,PLATE,16M, 3/4" X 8' RO)		

Remarks:

Structure: (069) POLE 7884

Assembly Unit	Activity	#Cond	Qty	Unit Description	Complete	Qty
2 ACSR 1 PH	Remove	1	100	2 ACSR Conductor 1 PH (OH PRIMARY CONDUCTOR)		
2 ACSR Neutral	Remove	1	100	2 ACSR Neutral		
A5	Remove	0	1	A5 (VERTICAL SINGLE DEADEND)		

Remarks:

Structure: (070) POLE A54

Assembly Unit	Activity	#Cond	Qty	Unit Description	Complete	Qty
336 ACSR	Remove	3	280	336 ACSR (OH PRIMARY CONDUCTOR)		

Chugach Electric Association
5601 Electron Drive
Anchorage, AK 99518

Designer/Project Engineer _____ Date ____/____/____
 Checker _____ Date ____/____/____
 Manager/Supervisor _____ Date ____/____/____

Project: E1913870

Design: O'MALLEY SOA ROAD RELOCATION

In Design

O'MALLEY ROAD RELOCATION

Grid: 1929

Structure: (070) POLE A54

Assembly Unit	Activity	#Cond	Qty	Unit Description	Complete	Qty
336 ACSR	Remove	3	280	336 ACSR (OH PRIMARY CONDUCTOR)		
336 ACSR Neutral	Remove	1	280	336 ACSR Neutral		
336 ACSR Neutral	Remove	1	280	336 ACSR Neutral		
J11	Remove	0	1	J11 (SECONDARY DEADEND)		
M2-11	Remove	0	1	M2-11 (POLE GROUNDING ASSY)		
POLE45/3	Remove	0	1	POLE45/3 (POLE, 045 CLASS 3)		
SDC-C1	Remove	0	1	SDC-C1 (DBL. CIRCUIT TANGENT)		
SG39-25	Remove	0	1	SG39-25 (XFMR, 1PH, 25 KVA, 3PH, TANGENT)		
SUM5	Remove	0	1	SUM5 (SECONDARY RISER)		

Remarks:

Structure: (071) POLE A53A

Assembly Unit	Activity	#Cond	Qty	Unit Description	Complete	Qty
336 ACSR	Remove	3	160	336 ACSR (OH PRIMARY CONDUCTOR)		
336 ACSR	Remove	3	160	336 ACSR (OH PRIMARY CONDUCTOR)		
336 ACSR Neutral	Remove	1	160	336 ACSR Neutral		
336 ACSR Neutral	Remove	1	160	336 ACSR Neutral		
M2-11	Remove	0	1	M2-11 (POLE GROUNDING ASSY)		
POLE45/3	Remove	0	1	POLE45/3 (POLE, 045 CLASS 3)		
SDC-C1	Remove	0	1	SDC-C1 (DBL. CIRCUIT TANGENT)		
SG39-25	Remove	0	1	SG39-25 (XFMR, 1PH, 25 KVA, 3PH, TANGENT)		
SUM5	Remove	0	1	SUM5 (SECONDARY RISER)		

Remarks:

Structure: (072) POLE A53

Assembly Unit	Activity	#Cond	Qty	Unit Description	Complete	Qty
336 ACSR	Remove	3	295	336 ACSR (OH PRIMARY CONDUCTOR)		
336 ACSR	Remove	3	295	336 ACSR (OH PRIMARY CONDUCTOR)		
336 ACSR Neutral	Remove	1	295	336 ACSR Neutral		
336 ACSR Neutral	Remove	1	295	336 ACSR Neutral		
A7-1	Remove	0	1	A7-1 (XARM SINGLE DEADEND)		
G39-15	Remove	0	1	G39-15 (XFMR, 1PH, 15 KVA, TANGENT)		
J11	Remove	0	1	J11 (SECONDARY DEADEND)		
POLE45/3	Remove	0	1	POLE45/3 (POLE, 045 CLASS 3)		
SDC-C2	Remove	0	1	SDC-C2 (DBL. CIRCUIT TNGNT DBL. SUPT.)		
SE1-5	Remove	0	1	SE1-5 (DOWN GUY, SINGLE, 16M)		
SL5-AAL	Remove	0	1	LED WOOD POLE STREET LIGHT, 150W HPS EQ		
SUM5	Remove	0	1	SUM5 (SECONDARY RISER)		
SUM5A	Remove	0	1	SECONDARY RISER-EXISTING STANDOFF		
SF4P	Abandon	0	1	SF4P (ANCHOR, PLATE, 16M, 3/4" X 8' RO)		

Remarks:

Structure: (073) POLE RA

Assembly Unit	Activity	#Cond	Qty	Unit Description	Complete	Qty
2 ACSR 1 PH	Remove	1	125	2 ACSR Conductor 1 PH (OH PRIMARY CONDUCTOR)		
2 ACSR Neutral	Remove	1	125	2 ACSR Neutral		
A1-1A	Remove	0	1	A1-1A (DOUBLE PRIMARY SUPPORT)		
G9-15	Remove	0	1	G9-15 (XFMR, 1PH, 15KVA, TANGENT-RETIRE ONLY)		
POLE40/4	Remove	0	1	POLE40/4 (POLE, 040 CLASS 4)		
SUM5	Remove	0	1	SUM5 (SECONDARY RISER)		

Remarks:

Structure: (074) POLE A52B

Assembly Unit	Activity	#Cond	Qty	Unit Description	Complete	Qty
336 ACSR	Remove	3	290	336 ACSR (OH PRIMARY CONDUCTOR)		
336 ACSR	Remove	3	290	336 ACSR (OH PRIMARY CONDUCTOR)		
336 ACSR Neutral	Remove	1	290	336 ACSR Neutral		
336 ACSR Neutral	Remove	1	290	336 ACSR Neutral		
G39-15	Remove	0	1	G39-15 (XFMR, 1PH, 15 KVA, TANGENT)		
J11	Remove	0	1	J11 (SECONDARY DEADEND)		
POLE45/3	Remove	0	1	POLE45/3 (POLE, 045 CLASS 3)		
SDC-C1	Remove	0	1	SDC-C1 (DBL. CIRCUIT TANGENT)		

Remarks:

Chugach Electric Association
 5601 Electron Drive
 Anchorage, AK 99518

Designer/Project Engineer _____ Date ____/____/____
 Checker _____ Date ____/____/____
 Manager/Supervisor _____ Date ____/____/____

Project: E1913870 Design: O'MALLEY SOA ROAD RELOCATION

In Design

O'MALLEY ROAD RELOCATION

Grid: 1929

Structure: (075) POLE A52A

Assembly Unit	Activity	#Cond	Qty	Unit Description	Complete	Qty
336 ACSR	Remove	3	260	336 ACSR (OH PRIMARY CONDUCTOR)		
336 ACSR	Remove	3	260	336 ACSR (OH PRIMARY CONDUCTOR)		
336 ACSR Neutral	Remove	1	260	336 ACSR Neutral		
336 ACSR Neutral	Remove	1	260	336 ACSR Neutral		
POLE45/3	Remove	0	1	POLE45/3 (POLE, 045 CLASS 3)		
SDC-C1	Remove	0	1	SDC-C1 (DBL. CIRCUIT TANGENT)		

Remarks:

Structure: (076) POLE A52

Assembly Unit	Activity	#Cond	Qty	Unit Description	Complete	Qty
336 ACSR	Remove	3	240	336 ACSR (OH PRIMARY CONDUCTOR)		
336 ACSR	Remove	3	240	336 ACSR (OH PRIMARY CONDUCTOR)		
336 ACSR Neutral	Remove	1	240	336 ACSR Neutral		
336 ACSR Neutral	Remove	1	240	336 ACSR Neutral		
POLE45/3	Remove	0	1	POLE45/3 (POLE, 045 CLASS 3)		
SDC-C1	Remove	0	1	SDC-C1 (DBL. CIRCUIT TANGENT)		

Remarks:

Structure: (077) POLE A51A

Assembly Unit	Activity	#Cond	Qty	Unit Description	Complete	Qty
336 ACSR	Remove	3	240	336 ACSR (OH PRIMARY CONDUCTOR)		
336 ACSR	Remove	3	240	336 ACSR (OH PRIMARY CONDUCTOR)		
336 ACSR Neutral	Remove	1	240	336 ACSR Neutral		
336 ACSR Neutral	Remove	1	240	336 ACSR Neutral		
M2-11	Remove	0	1	M2-11 (POLE GROUNDING ASSY)		
POLE45/3	Remove	0	1	POLE45/3 (POLE, 045 CLASS 3)		
SDC-C1	Remove	0	1	SDC-C1 (DBL. CIRCUIT TANGENT)		
SM5-9B	Remove	0	1	CUTOUT ASSEMBLY LOAD BREAK XRM MT		
SUC1	Remove	0	1	SUC1 (PRI RISER)		
SUM6-25A 3 PH	Remove	0	1	SUM6-25A (#2 PRIMARY TERMINATION)		

Remarks:

Structure: (078) POLE 0703

Assembly Unit	Activity	#Cond	Qty	Unit Description	Complete	Qty
336 ACSR	Remove	3	110	336 ACSR (OH PRIMARY CONDUCTOR)		
336 ACSR	Remove	3	110	336 ACSR (OH PRIMARY CONDUCTOR)		
336 ACSR Neutral	Remove	1	110	336 ACSR Neutral		
336 ACSR Neutral	Remove	1	110	336 ACSR Neutral		
A7-1	Remove	0	1	A7-1 (XARM SINGLE DEADEND)		
POLE45/3	Remove	0	1	POLE45/3 (POLE, 045 CLASS 3)		
SDC-C1	Remove	0	1	SDC-C1 (DBL. CIRCUIT TANGENT)		
SUA1	Remove	0	1	SUA1 (PRI RISER ON 1 PH OH LINE)		
SUM5	Remove	0	1	SUM5 (SECONDARY RISER)		
SUM6-25C 1 PH	Remove	0	1	SUM6-25C (1/0 PRIMARY TERMINATION)		

Remarks:

Structure: (079) POLE A50

Assembly Unit	Activity	#Cond	Qty	Unit Description	Complete	Qty
336 ACSR	Remove	3	115	336 ACSR (OH PRIMARY CONDUCTOR)		
336 ACSR	Remove	3	115	336 ACSR (OH PRIMARY CONDUCTOR)		
336 ACSR Neutral	Remove	1	115	336 ACSR Neutral		
336 ACSR Neutral	Remove	1	115	336 ACSR Neutral		
A7-1	Remove	0	1	A7-1 (XARM SINGLE DEADEND)		
J11	Remove	0	1	J11 (SECONDARY DEADEND)		
POLE45/3	Remove	0	1	POLE45/3 (POLE, 045 CLASS 3)		
SDC-C1	Remove	0	1	SDC-C1 (DBL. CIRCUIT TANGENT)		
SE1-3	Remove	0	1	SE1-3 (DOWN GUY, SINGLE, 10M)		
SF4P	Remove	0	1	SF4P (ANCHOR,PLATE,16M, 3/4" X 8' RO)		

Remarks:

Structure: (080) POLE R1

Assembly Unit	Activity	#Cond	Qty	Unit Description	Complete	Qty
2 ACSR 1 PH	Remove	1	185	2 ACSR Conductor 1 PH (OH PRIMARY CONDUCTOR)		
2 ACSR Neutral	Remove	1	185	2 ACSR Neutral		
A1	Remove	0	1	A1 (SINGLE PRIMARY SUPPORT)		

Chugach Electric Association
5601 Electron Drive
Anchorage, AK 99518

Designer/Project Engineer _____ Date ___/___/___
 Checker _____ Date ___/___/___
 Manager/Supervisor _____ Date ___/___/___

Project: E1913870 Design: O'MALLEY SOA ROAD RELOCATION

In Design

O'MALLEY ROAD RELOCATION

Grid: 1929

Structure: (080) POLE R1

<u>Assembly Unit</u>	<u>Activity</u>	<u>#Cond</u>	<u>Qty</u>	<u>Unit Description</u>	<u>Complete</u>	<u>Qty</u>
POLE40/4	Remove	0	1	POLE40/4 (POLE, 040 CLASS 4)		

Remarks:

Structure: (081) POLE A49B

<u>Assembly Unit</u>	<u>Activity</u>	<u>#Cond</u>	<u>Qty</u>	<u>Unit Description</u>	<u>Complete</u>	<u>Qty</u>
2 TPX Secondary	Remove	1	125	2 TPX OH SECONDARY CONDUCTOR		
336 ACSR	Remove	3	125	336 ACSR (OH PRIMARY CONDUCTOR)		
336 ACSR	Remove	3	125	336 ACSR (OH PRIMARY CONDUCTOR)		
336 ACSR Neutral	Remove	1	125	336 ACSR Neutral		
336 ACSR Neutral	Remove	1	125	336 ACSR Neutral		
J11	Remove	0	1	J11 (SECONDARY DEADEND)		
J11	Remove	0	1	J11 (SECONDARY DEADEND)		
M2-11	Remove	0	1	M2-11 (POLE GROUNDING ASSY)		
POLE45/3	Remove	0	1	POLE45/3 (POLE, 045 CLASS 3)		
SDC-C1	Remove	0	1	SDC-C1 (DBL. CIRCUIT TANGENT)		
SG39-25	Remove	0	1	SG39-25 (XFMR,1PH,25 KVA, 3PH, TANGENT)		

Remarks:

Structure: (082) POLE 8802

<u>Assembly Unit</u>	<u>Activity</u>	<u>#Cond</u>	<u>Qty</u>	<u>Unit Description</u>	<u>Complete</u>	<u>Qty</u>
2 TPX Secondary	Remove	1	250	2 TPX OH SECONDARY CONDUCTOR		
336 ACSR	Remove	3	250	336 ACSR (OH PRIMARY CONDUCTOR)		
336 ACSR	Remove	3	250	336 ACSR (OH PRIMARY CONDUCTOR)		
336 ACSR Neutral	Remove	1	250	336 ACSR Neutral		
336 ACSR Neutral	Remove	1	250	336 ACSR Neutral		
J11	Remove	0	1	J11 (SECONDARY DEADEND)		
J11	Remove	0	1	J11 (SECONDARY DEADEND)		
POLE45/3	Remove	0	1	POLE45/3 (POLE, 045 CLASS 3)		
SDC-C1	Remove	0	1	SDC-C1 (DBL. CIRCUIT TANGENT)		
SUA1	Remove	0	1	SUA1 (PRI RISER ON 1 PH OH LINE)		
SUM6-25C 1 PH	Remove	0	1	SUM6-25C (1/0 PRIMARY TERMINATION)		

Remarks:

Structure: (083) POLE A48A

<u>Assembly Unit</u>	<u>Activity</u>	<u>#Cond</u>	<u>Qty</u>	<u>Unit Description</u>	<u>Complete</u>	<u>Qty</u>
336 ACSR	Remove	3	230	336 ACSR (OH PRIMARY CONDUCTOR)		
336 ACSR	Remove	3	230	336 ACSR (OH PRIMARY CONDUCTOR)		
336 ACSR Neutral	Remove	1	230	336 ACSR Neutral		
336 ACSR Neutral	Remove	1	230	336 ACSR Neutral		
M2-11	Remove	0	1	M2-11 (POLE GROUNDING ASSY)		
POLE45/3	Remove	0	1	POLE45/3 (POLE, 045 CLASS 3)		
SDC-C1	Remove	0	1	SDC-C1 (DBL. CIRCUIT TANGENT)		
SG39-25	Remove	0	1	SG39-25 (XFMR,1PH,25 KVA, 3PH, TANGENT)		
SUM5	Remove	0	1	SUM5 (SECONDARY RISER)		
SUM5A	Remove	0	1	SECONDARY RISER-EXISTING STANDOFF		

Remarks:

Structure: (084) POLE 6504

<u>Assembly Unit</u>	<u>Activity</u>	<u>#Cond</u>	<u>Qty</u>	<u>Unit Description</u>	<u>Complete</u>	<u>Qty</u>
336 ACSR	Remove	3	370	336 ACSR (OH PRIMARY CONDUCTOR)		
336 ACSR	Remove	3	370	336 ACSR (OH PRIMARY CONDUCTOR)		
336 ACSR Neutral	Remove	1	370	336 ACSR Neutral		
336 ACSR Neutral	Remove	1	370	336 ACSR Neutral		
J11	Remove	0	1	J11 (SECONDARY DEADEND)		
POLE45/3	Remove	0	1	POLE45/3 (POLE, 045 CLASS 3)		
SDC-C1	Remove	0	1	SDC-C1 (DBL. CIRCUIT TANGENT)		
SUA1	Remove	0	1	SUA1 (PRI RISER ON 1 PH OH LINE)		
SUM5A	Remove	0	1	SECONDARY RISER-EXISTING STANDOFF		
SUM6-25C 1 PH	Remove	0	1	SUM6-25C (1/0 PRIMARY TERMINATION)		

Remarks:

Structure: (085) POLE 6596

<u>Assembly Unit</u>	<u>Activity</u>	<u>#Cond</u>	<u>Qty</u>	<u>Unit Description</u>	<u>Complete</u>	<u>Qty</u>
2 TPX Secondary	Remove	1	126	2 TPX OH SECONDARY CONDUCTOR		
J11	Remove	0	1	J11 (SECONDARY DEADEND)		

Chugach Electric Association 5601 Electron Drive Anchorage, AK 99518	Designer/Project Engineer _____ Date ____/____/____
	Checker _____ Date ____/____/____
	Manager/Supervisor _____ Date ____/____/____

Project: E1913870

Design: O'MALLEY SOA ROAD RELOCATION

In Design

O'MALLEY ROAD RELOCATION

Grid: 1929

Structure: (085) POLE 6596

Assembly Unit	Activity	#Cond	Qty	Unit Description	Complete	Qty
J11	Remove	0	1	J11 (SECONDARY DEADEND)		
POLE45/3	Remove	0	1	POLE45/3 (POLE, 045 CLASS 3)		
SE1-3	Remove	0	1	SE1-3 (DOWN GUY, SINGLE, 10M)		
SM52-3	Remove	0	1	SM52-3 (POLE NUMBER)		
SUM5	Remove	0	1	SUM5 (SECONDARY RISER)		
SF4P	Abandon	0	1	SF4P (ANCHOR,PLATE,16M, 3/4" X 8' RO)		

Remarks:

Structure: (086) PM 6605

Assembly Unit	Activity	#Cond	Qty	Unit Description	Complete	Qty
1/0 CONC	Remove	1	45	1/0 CONC Wire (1/0 CONCENTRIC PRIMARY)		
SUG7-25	Remove	0	1	SUG7-25 (XFMR, PM, 25 KVA, 1 PH, LOOP)		
SUM1	Remove	0	1	SUM1 (CONCRETE PAD 1 PH XFMR)		
SUM6-1C 1 PH	Remove	0	1	SUM6-1C (1/0 LB ELBOW TERMINATION-15KV)		
SUM6-1C 1 PH	Remove	0	1	SUM6-1C (1/0 LB ELBOW TERMINATION-15KV)		

Remarks:

Structure: (087) POLE 5604

Assembly Unit	Activity	#Cond	Qty	Unit Description	Complete	Qty
336 ACSR	Remove	3	210	336 ACSR (OH PRIMARY CONDUCTOR)		
336 ACSR	Remove	3	210	336 ACSR (OH PRIMARY CONDUCTOR)		
336 ACSR Neutral	Remove	1	210	336 ACSR Neutral		
336 ACSR Neutral	Remove	1	210	336 ACSR Neutral		
J11	Remove	0	1	J11 (SECONDARY DEADEND)		
POLE45/3	Remove	0	1	POLE45/3 (POLE, 045 CLASS 3)		
SDC-C1	Remove	0	1	SDC-C1 (DBL. CIRCUIT TANGENT)		
SUA1	Remove	0	1	SUA1 (PRI RISER ON 1 PH OH LINE)		
SUM5A	Remove	0	1	SECONDARY RISER-EXISTING STANDOFF		
SUM6-25C 1 PH	Remove	0	1	SUM6-25C (1/0 PRIMARY TERMINATION)		

Remarks:

Structure: (088) PM 5603

Assembly Unit	Activity	#Cond	Qty	Unit Description	Complete	Qty
1/0 CONC	Abandon	1	40	1/0 CONC Wire (1/0 CONCENTRIC PRIMARY)		
2 RIBB Secondary	Abandon	1	40	#2 3-WIRE SECONDARY		
SUM5012H	Abandon	1	40	SUM5012H - Conduit ((1) 2" HDPE CONDUIT)		
SUM5012H	Abandon	1	1	SUM5012H - Conduit ((1) 2" HDPE CONDUIT)		

Remarks:

- SEE WORK LOCATION 9 FOR INSTALL.

Structure: (089) SP LOT 2

Assembly Unit	Activity	#Cond	Qty	Unit Description	Complete	Qty
2 TPX Secondary	Remove	1	115	2 TPX OH SECONDARY CONDUCTOR		
J11	Remove	0	1	J11 (SECONDARY DEADEND)		
POLE45/3	Remove	0	1	POLE45/3 (POLE, 045 CLASS 3)		
SE1-3	Remove	0	1	SE1-3 (DOWN GUY, SINGLE, 10M)		
SM52-3	Remove	0	1	SM52-3 (POLE NUMBER)		
SF4P	Abandon	0	1	SF4P (ANCHOR,PLATE,16M, 3/4" X 8' RO)		

Remarks:

Structure: (090) POLE A47B

Assembly Unit	Activity	#Cond	Qty	Unit Description	Complete	Qty
336 ACSR	Remove	3	175	336 ACSR (OH PRIMARY CONDUCTOR)		
336 ACSR	Remove	3	175	336 ACSR (OH PRIMARY CONDUCTOR)		
336 ACSR Neutral	Remove	1	175	336 ACSR Neutral		
336 ACSR Neutral	Remove	1	175	336 ACSR Neutral		
POLE45/3	Remove	0	1	POLE45/3 (POLE, 045 CLASS 3)		
SDC-C1	Remove	0	1	SDC-C1 (DBL. CIRCUIT TANGENT)		
SUC1	Remove	0	1	SUC1 (PRI RISER)		
SUM6-25A 3 PH	Remove	0	1	SUM6-25A (#2 PRIMARY TERMINATION)		

Remarks:

Structure: (091) POLE A47

Assembly Unit	Activity	#Cond	Qty	Unit Description	Complete	Qty
336 ACSR	Remove	3	30	336 ACSR (OH PRIMARY CONDUCTOR)		

Chugach Electric Association
5601 Electron Drive
Anchorage, AK 99518

Designer/Project Engineer _____ Date ____/____/____
 Checker _____ Date ____/____/____
 Manager/Supervisor _____ Date ____/____/____

Project: E1913870

Design: O'MALLEY SOA ROAD RELOCATION

In Design

O'MALLEY ROAD RELOCATION

Grid: 1929

Structure: (091) POLE A47

<u>Assembly Unit</u>	<u>Activity</u>	<u>#Cond</u>	<u>Qty</u>	<u>Unit Description</u>	<u>Complete</u>	<u>Qty</u>
336 ACSR	Remove	3	30	336 ACSR (OH PRIMARY CONDUCTOR)		
336 ACSR Neutral	Remove	1	30	336 ACSR Neutral		
336 ACSR Neutral	Remove	1	30	336 ACSR Neutral		
A7-1	Remove	0	1	A7-1 (XARM SINGLE DEADEND)		
POLE45/3	Remove	0	1	POLE45/3 (POLE, 045 CLASS 3)		
SDC-C1	Remove	0	1	SDC-C1 (DBL. CIRCUIT TANGENT)		
SE1-5	Remove	0	1	SE1-5 (DOWN GUY, SINGLE, 16M)		
SF4P	Remove	0	1	SF4P (ANCHOR,PLATE,16M, 3/4" X 8' RO)		
SM5-9B 3 PH	Remove	0	1	CUTOUT ASSEMBLY LOAD BREAK XRM MT 3 PH		

Remarks:

Structure: (092) POLE R1

<u>Assembly Unit</u>	<u>Activity</u>	<u>#Cond</u>	<u>Qty</u>	<u>Unit Description</u>	<u>Complete</u>	<u>Qty</u>
2 ACSR 3 PH	Remove	3	150	2 ACSR Conductor 3 PH (OH PRIMARY CONDUCTOR)		
2 ACSR Neutral	Remove	1	150	2 ACSR Neutral		
C2	Remove	0	1	C2 (XARM DOUBLE SUPPORT)		
J11	Remove	0	1	J11 (SECONDARY DEADEND)		
J11	Remove	0	1	J11 (SECONDARY DEADEND)		
M2-11	Remove	0	1	M2-11 (POLE GROUNDING ASSY)		
POLE40/4	Remove	0	1	POLE40/4 (POLE, 040 CLASS 4)		
SG9-25	Remove	0	1	SG9-25 (XFMR,1PH,25 KVA,1PH TANGENT)		

Remarks:

Structure: (093) STREETLIGHT #5

<u>Assembly Unit</u>	<u>Activity</u>	<u>#Cond</u>	<u>Qty</u>	<u>Unit Description</u>	<u>Complete</u>	<u>Qty</u>
6 DPX	Remove	1	85	6 DPX Wire (STREETLIGHT CONDUCTOR)		
J11	Remove	0	1	J11 (SECONDARY DEADEND)		
POLE35/5	Remove	0	1	POLE35/5 (POLE, 035 CLASS 5)		
SL5-AAL	Remove	0	1	LED WOOD POLE STREET LIGHT, 150W HPS EQ		
SM52-3	Remove	0	1	SM52-3 (POLE NUMBER)		

Remarks:

Structure: (094) POLE 4988 *R2

<u>Assembly Unit</u>	<u>Activity</u>	<u>#Cond</u>	<u>Qty</u>	<u>Unit Description</u>	<u>Complete</u>	<u>Qty</u>
2 ACSR 3 PH	Remove	3	230	2 ACSR Conductor 3 PH (OH PRIMARY CONDUCTOR)		
2 ACSR Neutral	Remove	1	230	2 ACSR Neutral		
2 TPX Secondary	Remove	1	230	2 TPX OH SECONDARY CONDUCTOR		

Remarks:

Structure: (095) POLE 3903*A46A

<u>Assembly Unit</u>	<u>Activity</u>	<u>#Cond</u>	<u>Qty</u>	<u>Unit Description</u>	<u>Complete</u>	<u>Qty</u>
336 ACSR	Remove	3	275	336 ACSR (OH PRIMARY CONDUCTOR)		
336 ACSR	Remove	3	275	336 ACSR (OH PRIMARY CONDUCTOR)		
336 ACSR Neutral	Remove	1	275	336 ACSR Neutral		
336 ACSR Neutral	Remove	1	275	336 ACSR Neutral		
M5-5	Remove	0	6	M5-5 (CROSSARM PIN)		

Remarks:

- SEE WORK LOCATION 5 FOR THE INSTALLATION UNITS.

Structure: (096) POLE 3603*A46B

<u>Assembly Unit</u>	<u>Activity</u>	<u>#Cond</u>	<u>Qty</u>	<u>Unit Description</u>	<u>Complete</u>	<u>Qty</u>
336 ACSR	Install	3	70	336 ACSR (OH PRIMARY CONDUCTOR)		
336 ACSR	Install	3	70	336 ACSR (OH PRIMARY CONDUCTOR)		
336 ACSR Neutral	Install	1	70	336 ACSR Neutral		
336 ACSR Neutral	Install	1	70	336 ACSR Neutral		
336 ACSR	Remove	3	70	336 ACSR (OH PRIMARY CONDUCTOR)		
336 ACSR	Remove	3	70	336 ACSR (OH PRIMARY CONDUCTOR)		
336 ACSR Neutral	Remove	1	70	336 ACSR Neutral		
336 ACSR Neutral	Remove	1	70	336 ACSR Neutral		
SDC-C8A	Remove	0	1	SDC-C8A (DOUBLE CIRCUIT DOUBLE DEADEND)		
SUC3	Remove	0	1	SUC3 (PRI RISER)		
SUC3	Remove	0	1	SUC3 (PRI RISER)		

Chugach Electric Association
5601 Electron Drive
Anchorage, AK 99518

Designer/Project Engineer _____ Date ____/____/____
 Checker _____ Date ____/____/____
 Manager/Supervisor _____ Date ____/____/____

Project: E1913870

Design: O'MALLEY SOA ROAD RELOCATION

In Design

O'MALLEY ROAD RELOCATION

Grid: 1929

Remarks:

- (2) SUC3 RISERS USED TO MODEL EXISTING DOUBLE RISER.
- SDC-C8A USED TO REPRESENT DOUBLE DEADEND WITH ONE ARM.
- SEE WORK LOCATION 4 FOR INSTALLATION UNITS.

Structure: (097) A46C

Assembly Unit	Activity	#Cond	Qty	Unit Description	Complete	Qty
336 ACSR	Remove	3	50	336 ACSR (OH PRIMARY CONDUCTOR)		
336 ACSR	Remove	3	50	336 ACSR (OH PRIMARY CONDUCTOR)		
336 ACSR Neutral	Remove	1	50	336 ACSR Neutral		
336 ACSR Neutral	Remove	1	50	336 ACSR Neutral		
POLE40/2	Remove	0	1	POLE40/2 (POLE, 040 CLASS 2)		
SDC-C8A	Remove	0	1	SDC-C8A (DOUBLE CIRCUIT DOUBLE DEADEND)		
SUC3	Remove	0	1	SUC3 (PRI RISER)		
SUC3	Remove	0	1	SUC3 (PRI RISER)		

Remarks:

- (2) SUC3 RISERS USED TO MODEL EXISTING DOUBLE RISER.
- SDC-C8-3A USED TO REPRESENT DOUBLE DEADEND WITH ONE ARM.

Structure: (098) POLE 2903 *A46

Assembly Unit	Activity	#Cond	Qty	Unit Description	Complete	Qty
336 ACSR	Install	3	180	336 ACSR (OH PRIMARY CONDUCTOR)		
336 ACSR	Install	3	180	336 ACSR (OH PRIMARY CONDUCTOR)		
336 ACSR Neutral	Install	1	180	336 ACSR Neutral		
336 ACSR Neutral	Install	1	180	336 ACSR Neutral		
M5-5	Install	0	4	M5-5 (CROSSARM PIN)		
SDC-C8A	Install	0	1	SDC-C8A (DOUBLE CIRCUIT DOUBLE DEADEND)		
SM52-3	Install	0	1	SM52-3 (POLE NUMBER)		
SM5-5R	Install	0	2	RAPTOR, 15KV PRIM ASBLY, XARM PIN		
SM5-9B 3 PH	Install	0	1	CUTOUT ASSEMBLY LOAD BREAK XRM MT 3 PH		
SUC1	Install	0	1	SUC1 (PRI RISER)		
SUM5014FR	Install	0	1	FIRST 10FT SPARE EMPTY 4" FG RISER		
SUM6-25D 3 PH	Install	0	1	SUM6-25D (4/0 PRIMARY TERMINATION)		
SUME490F4	Install	0	2	SUME490F4 (4" FG 90 48")		
336 ACSR	Remove	3	125	336 ACSR (OH PRIMARY CONDUCTOR)		
336 ACSR	Remove	3	125	336 ACSR (OH PRIMARY CONDUCTOR)		
336 ACSR Neutral	Remove	1	125	336 ACSR Neutral		
336 ACSR Neutral	Remove	1	125	336 ACSR Neutral		
SC7A-2	Remove	0	1	SC7A-2 (XARM SNGL 4-WIRE DEADEND)		
SDC-C1	Remove	0	1	SDC-C1 (DBL. CIRCUIT TANGENT)		
SM5-9B 3 PH	Remove	0	1	CUTOUT ASSEMBLY LOAD BREAK XRM MT 3 PH		

Remarks:

- REMOVE TANGENT FRAMING AND INSTALL DOUBLE DEADEND. INSTALL NEW 336 ACSR EAST TO POLE 3903.
- THE INNER MOST JUMPER PINS, AØ AND CØ ARE AVIAN PROTECTION.
- INSTALL TERMINATION ARM AS AN ALLEY ARM. SEE FRAMING DETAIL ON SHEET 80.

Structure: (099) PP 2898

Assembly Unit	Activity	#Cond	Qty	Unit Description	Complete	Qty
4/0 CONC	Install	3	130	4/0 CONC Wire (4/0 CONCENTRIC PRIMARY)		
BORE	Install	1	120	BORE		
SUM1B	Install	0	1	SUM1B (CONCRETE PAD 3 PH XFMR)		
SUM1-CA	Install	0	1	SUM1-CA (SUM1F METAL PAD COVERING)		
SUM5024H	Install	1	130	SUM5024H - Conduit ((2) 4" HDPE CONDUIT)		
SUM6-28D 3 PH	Install	0	1	SUM6-28D (4/0 PRIMARY SPLICE)		
SUM6-6	Install	0	2	SUM6-6 (GROUNDING ASSY)		
SUME445F4	Install	0	4	SUME445F4 (4" FG 45 48")		
SUME490F5	Install	0	2	SUME490F5 (4" FG 90 60")		
SUR2-5	Install	1	10	SUR2-5 (PRIMARY TRENCH)		

Remarks:

Structure: (100) PM 2595 *PM1

Assembly Unit	Activity	#Cond	Qty	Unit Description	Complete	Qty
4/0 CONC	Install	3	155	4/0 CONC Wire (4/0 CONCENTRIC PRIMARY)		
SHUR2-5	Install	1	20	SHUR2-5 (PRIMARY TRENCH HAND -DIG)		
SUG17B-75	Install	0	1	XFMR, PM, 75 KVA, 3 PH, RADIAL		
SUM1B	Install	0	1	SUM1B (CONCRETE PAD 3 PH XFMR)		
SUM5024H	Install	1	155	SUM5024H - Conduit ((2) 4" HDPE CONDUIT)		

Chugach Electric Association
5601 Electron Drive
Anchorage, AK 99518

Designer/Project Engineer _____ Date ____/____/____
 Checker _____ Date ____/____/____
 Manager/Supervisor _____ Date ____/____/____

Project: E1913870

Design: O'MALLEY SOA ROAD RELOCATION

In Design

O'MALLEY ROAD RELOCATION

Grid: 1929

Structure: (100) PM 2595 *PM1

<u>Assembly Unit</u>	<u>Activity</u>	<u>#Cond</u>	<u>Qty</u>	<u>Unit Description</u>	<u>Complete</u>	<u>Qty</u>
SUM6-1D 3 PH	Install	0	1	SUM6-1D (4/0 LB ELBOW TERMINATION)		
SUME490F3	Install	0	2	SUME490F3 (4" FG 90 36")		
SUME490F5	Install	0	2	SUME490F5 (4" FG 90 60")		
SUR2-5	Install	1	135	SUR2-5 (PRIMARY TRENCH)		
SURCP	Install	1	30	SURCP (PARKING LOT CROSSING)		
SUG17B-150	Remove	0	1	XFMR,PM, 150 KVA, 3 PH, RADIAL		
SUM1B	Remove	0	1	SUM1B (CONCRETE PAD 3 PH XFMR)		
SUM6-1D 3 PH	Remove	0	1	SUM6-1D (4/0 LB ELBOW TERMINATION)		

Remarks:

- HAND DIG PROVIDED TO DIG AROUND EXISTING PAD.
- REMOVE AND REPLACE TRANSFORMER.

Structure: (101) POLE A46L1

<u>Assembly Unit</u>	<u>Activity</u>	<u>#Cond</u>	<u>Qty</u>	<u>Unit Description</u>	<u>Complete</u>	<u>Qty</u>
2 ACSR 3 PH	Remove	3	105	2 ACSR Conductor 3 PH (OH PRIMARY CONDUCTOR)		
E7-2	Remove	0	1	E7-2 (THREE DOWN GUYS)		
POLE45/3	Remove	0	1	POLE45/3 (POLE, 045 CLASS 3)		
SC7A-2	Remove	0	1	SC7A-2 (XARM SNGL 4-WIRE DEADEND)		
SE2-5 Material	Remove	0	1	SE2-5 (SPAN GUY, SINGLE, 16M)		
SUC2	Remove	0	1	SUC2 (3 PH FEEDER TP-4/0)		
2 CONC 3 PH	Abandon	3	190	2 CONC Wire 3 PH (#2 CONCENTRIC PRIMARY)		
SF7C	Abandon	0	1	SF7C (ANCHOR, 7' CONCRETE)		

Remarks:

Structure: (102) POLE 2998

<u>Assembly Unit</u>	<u>Activity</u>	<u>#Cond</u>	<u>Qty</u>	<u>Unit Description</u>	<u>Complete</u>	<u>Qty</u>
POLE45/1	Install	0	1	POLE45/1 (POLE, 045 CLASS 1)		
SE1-5	Install	0	2	SE1-5 (DOWN GUY, SINGLE, 16M)		
SE2-5 Material	Install	0	1	SE2-5 (SPAN GUY, SINGLE, 16M)		
SE2-5 Material	Install	0	1	SE2-5 (SPAN GUY, SINGLE, 16M)		
SF7C	Install	0	1	SF7C (ANCHOR, 7' CONCRETE)		
SM52-3	Install	0	1	SM52-3 (POLE NUMBER)		

Remarks:

- INSTALL SPAN GUY FOR THE 34.5KV AND THE 12.5KV CIRCUITS.
- INSTALL SLUG ANCHOR WITH THE 34.5KV AND 12.5KV DOWN GUYS CONNECTED TO ONE ROD EACH.
- GUY LEAD, 25'.

Chugach Electric Association 5601 Electron Drive Anchorage, AK 99518	Designer/Project Engineer _____ Date ____/____/____
	Checker _____ Date ____/____/____
	Manager/Supervisor _____ Date ____/____/____

In Design

BIDSHEET

for

**PROJECT : E1913870
O'MALLEY ROAD RELOCATION**

Work Request: E1913870
Design No.: O'MALLEY SOA ROAD RELOCATION
Capital Account: 10729/000/03/7665
Reimbursible Account: / / /
Retirement Account: 10880/326/03/7665
Work Plan No:
Project Type: Relocation-Agency

Reviewed by Designer/Project Engineer: *M Elliott* Date: 3/25/21

Reviewed by Supervisor/Manager: Marshall Elliott
Mike Miller Date: 3/25/21
Supervisor

Remarks:

In Design

Project: E1913870
O'MALLEY ROAD RELOCATION

Contractor: _____

Assembly Unit	Proposed Quantity	Actual Quantity	Labor	Material	Labor & Material	Extended Labor & Material
1/0 CONC	5.605					
2 CONC 1 PH	0.020					
2 CONC 3 PH	0.435					
2 RIBB Service	0.140					
2/0 RIBB Service	1.115					
336 ACSR	1.500					
336 ACSR Neutral	0.500					
4/0 CONC	2.460					
4/0 RIBB	0.860					
6/2 UF	0.665					
750 CONC 15KV	27.615					
A5	2.000					
BORE	2.355					
C1	1.000					
M2-11	3.000					
M5-5	4.000					
MANHOURS	400.000					
POLE40/2	3.000					
POLE45/1	2.000					
R&R	1.000					
SC7A	1.000					
SC7A-1	2.000					
SDC-C1C8	1.000					
SDC-C7A	1.000					
SDC-C8A	1.000					
SE1-4	1.000					
SE15	9.000					
SE1-5	4.000					
SE2-5 Material	2.000					
SF4P	3.000					
SF7C	10.000					

Total Extended Labor & Material This Page _____
 Total Extended Labor & Material Previous Page _____
 Total Extended Labor & Material _____

In Design

Project: E1913870
O'MALLEY ROAD RELOCATION

Contractor: _____

Assembly Unit	Proposed Quantity	Actual Quantity	Labor	Material	Labor & Material	Extended Labor & Material
SHUR2-3	0.085					
SHUR2-5	0.380					
SHUR2-6	0.050					
SL5AL	3.000					
SM52-3	10.000					
SM5-5R	2.000					
SM5-9B 3 PH	1.000					
SM5-9PC	2.000					
SMR1	1.000					
SR1-16	0.001					
SR1-8	0.001					
STAG-2	3.000					
SUA3	2.000					
SUC1	1.000					
SUC2	1.000					
SUC3	4.000					
SUG17B-75	2.000					
SUG6-25	1.000					
SUG6-50	1.000					
SUG7-25	15.000					
SUK5	4.000					
SUM1	18.000					
SUM1B	3.000					
SUM1-CA	2.000					
SUM1-CD	1.000					
SUM1F	11.000					
SUM3-11	3.000					
SUM3-12	1.000					
SUM3-9	6.000					
SUM5	2.000					
SUM5011.5H	0.665					

Total Extended Labor & Material This Page _____
 Total Extended Labor & Material Previous Page _____
 Total Extended Labor & Material _____

In Design

Project: E1913870
O'MALLEY ROAD RELOCATION

Contractor: _____

Assembly Unit	Proposed Quantity	Actual Quantity	Labor	Material	Labor & Material	Extended Labor & Material
SUM5012H	7.715					
SUM5012SR	2.000					
SUM5014FR	2.000					
SUM5016FR	4.000					
SUM5022H	4.275					
SUM5024H	0.470					
SUM5026H	9.685					
SUM5A	1.000					
SUM6-10	3.000					
SUM6-15	3.000					
SUM6-1A 1 PH	1.000					
SUM6-1A 3 PH	1.000					
SUM6-1C 1 PH	34.000					
SUM6-1D 3 PH	2.000					
SUM6-25A 3 PH	1.000					
SUM6-25C 1 PH	17.000					
SUM6-25D 3 PH	6.000					
SUM6-25F 3 PH	24.000					
SUM6-28A 1 PH	1.000					
SUM6-28A 3 PH	2.000					
SUM6-28C 1 PH	2.000					
SUM6-28D 3 PH	1.000					
SUM6-28F 3 PH	13.000					
SUM6-32	3.000					
SUM6-36A	27.000					
SUM6-4EL	9.000					
SUM6-6	24.000					
SUME290S2	1.000					
SUME290S3	22.000					
SUME445F4	12.000					
SUME490F3	4.000					

Total Extended Labor & Material This Page _____
 Total Extended Labor & Material Previous Page _____
 Total Extended Labor & Material _____

In Design

Project: E1913870
O'MALLEY ROAD RELOCATION

Contractor: _____

Assembly Unit	Proposed Quantity	Actual Quantity	Labor	Material	Labor & Material	Extended Labor & Material
SUME490F4	6.000					
SUME490F5	4.000					
SUME630F5	20.000					
SUME645F5	48.000					
SUME690F5	16.000					
SUMH-810	4.000					
SUMH-814	1.000					
SUMV-1	70.000					
SUMV-1A	62.000					
SUR2-3	1.105					
SUR2-5	4.205					
SUR2-DT	0.350					
SUR2-ST	0.100					
SURCP	0.380					
XSUM8	7.000					
XUR2-11C	40.000					
XUR2-12	60.000					
* 1/0 CONC	0.045					
* 2 ACSR 1 PH	0.800					
* 2 ACSR 3 PH	1.455					
* 2 ACSR Neutral	1.180					
* 2 TPX Secondary	1.510					
* 2 TPX Service	0.497					
* 336 ACSR	26.700					
* 336 ACSR Neutral	8.900					
* 6 DPX	0.240					
* A1	1.000					
* A1-1A	1.000					
* A2	1.000					
* A5	1.000					
* A5-1	1.000					

Total Extended Labor & Material This Page _____
 Total Extended Labor & Material Previous Page _____
 Total Extended Labor & Material _____

In Design

**Project: E1913870
O'MALLEY ROAD RELOCATION**

Contractor: _____

Assembly Unit	Proposed Quantity	Actual Quantity	Labor	Material	Labor & Material	Extended Labor & Material
* A7-1	4.000					
* C1	1.000					
* C2	2.000					
* C8-2	1.000					
* E7-2	1.000					
* G39-15	2.000					
* G9-15	1.000					
* J11	28.000					
* M2-11	10.000					
* M5-2	1.000					
* M5-5	16.000					
* POLE35/5	6.000					
* POLE40/2	1.000					
* POLE40/4	6.000					
* POLE45/3	23.000					
* SC7-1	1.000					
* SC7A-2	2.000					
* SDC-C1	18.000					
* SDC-C1C8	1.000					
* SDC-C2	1.000					
* SDC-C8A	3.000					
* SE1-3	8.000					
* SE15	3.000					
* SE1-5	2.000					
* SE2-5 Material	1.000					
* SEM-I42	8.000					
* SF4P	7.000					
* SG312-75	1.000					
* SG39-25	7.000					
* SG9-25	1.000					
* SG9-50	1.000					

Total Extended Labor & Material This Page _____
 Total Extended Labor & Material Previous Page _____
 Total Extended Labor & Material _____

In Design

Project: E1913870
O'MALLEY ROAD RELOCATION

Contractor: _____

Assembly Unit	Proposed Quantity	Actual Quantity	Labor	Material	Labor & Material	Extended Labor & Material
* SL5-AA	1.000					
* SL5-AAL	2.000					
* SM52-3	6.000					
* SM5-9B	1.000					
* SM5-9B 3 PH	2.000					
* SM5-9PB	2.000					
* SMR1	1.000					
* STAG-2	3.000					
* SUA1	5.000					
* SUC1	2.000					
* SUC2	1.000					
* SUC3	4.000					
* SUG17B-150	1.000					
* SUG7-25	1.000					
* SUK5	1.000					
* SUM1	1.000					
* SUM1B	1.000					
* SUM5	13.000					
* SUM5A	4.000					
* SUM6-1C 1 PH	4.000					
* SUM6-1C CIC 1	1.000					
* SUM6-1D 3 PH	1.000					
* SUM6-25A 3 PH	2.000					
* SUM6-25C 1 PH	4.000					
* SUME290S3	1.000					
* 1/0 CONC	0.075					
* 2 CONC 3 PH	0.570					
* 2 RIBB Secondary	0.325					
* 2 RIBB Service	0.055					
* 2/0 RIBB	0.028					
* 2/0 RIBB Service	0.230					

Total Extended Labor & Material This Page _____
 Total Extended Labor & Material Previous Page _____
 Total Extended Labor & Material _____

In Design

Project: E1913870
 O'MALLEY ROAD RELOCATION

Contractor: _____

	Assembly Unit	Proposed Quantity	Actual Quantity	Labor	Material	Labor & Material	Extended Labor & Material
*	6/2 UF	0.280					
*	SF4P	3.000					
*	SF7C	4.000					
*	SUM5012H	0.041					

Total Extended Labor & Material This Page
 Total Extended Labor & Material Previous Page
 Total Extended Labor & Material

RIGHT-OF-WAY REPORT

WORK ORDER NO. E1913870

DATE: April 28, 2021

SUBJECT: 3Ø UG Primary Relocation from CEA O'Malley Substation to Hillside Drive
O'Malley Road Relocation Ph. 2, ADOT&PF Project #Z55096000/Z53935000

Easement Rights:

- (X) 1. Dedicated by Plats (83-7, 76-231, 84-64, 71-217, 77-296, 66-145, 71-217, P-342, 79-168, 84-94, 82-462, P-355, 69-231).
- (X) 2. Deed Parcel (Book 226, Page 178).
- (X) 3. Specific easements on file.

Permits:

- (X) 1. Construction under the SOA Relocation Agreement.
- () 2. MOA ROW Permit for installation within utility easements and Ridgcrest Drive.
- (X) 3. No construction activity identified in standing or running water.
No wetlands permit obtained.

Clearing:

- (X) 1. Clearing will be completed by CEA on Lots.



Claudia Roberts
Right-of-Way Agent III

Project : E1913870 RELOCATION

In Design

Work Request: E1913870

Design : O'MALLEY ROAD SOA

Capital Account: 10729/000/03/7665
Reimbursible Account: / / /
Retirement Account: 10880/326/03/7665

Description	Part Number	Quantity Orderd	Issued
Inventory			
ANCHOR, CONCRETE 7FT (FAI-7X)	000000053	10	_____
ARRESTER, SURGE 09KV	000000103	15	_____
DEAD-END, TEE 3/4"	000000156	9	_____
POLE, BRACE CROSSARM 28" WOOD	000000314	8	_____
POLE, BRACE ALLEY ARM 7'	000000316	3	_____
FASTENER, BRACKET CONDUIT STANDOFF	000000322	30	_____
FASTENER, BRACKET CONDUIT STANDOFF W/BRACE	000000323	10	_____
SWITCH, BRACKET CUTOUT & TERM. POLE MT. 15KV	000000329	2	_____
WIRE, AL JCN 15KV #4/0	000000343	3,647	_____
WIRE, AL JCN 15KV #002 NOT STRAND F.	000000344	702	_____
WIRE, AL JCN 15KV 750MCM EPR	000000346	33,437	_____
WIRE, AL JCN 15KV #1/0	000000352	7,483	_____
WIRE, AL URD SERVICE #006-2 (SL)(CLAFILIN)	000000367	992	_____
WIRE, AL URD SVC #4/0 2/0 4/0(SWEETBRIAR)	000000368	1,271	_____
WIRE, AL URD SERVICE #2 2 2 (RAMAPO)	000000372	224	_____
WIRE, AL URD SVC #2/0 1 2/0 (CONVERSE)	000000373	1,617	_____
WIRE, CU SDB #004 STR	000000375	340	_____
WIRE, CU SDB #02 STR	000000376	165	_____
WIRE, CU SDB #4/0 STR (19 STR.)	000000378	930	_____
DEAD-END, AUTO 12.5M/16M ALUMOWELD (7#87#9)	000000817	23	_____
DEAD-END, DE AUTO CLEVIS ACSR #02 & #04	000000823	8	_____
DEAD-END, COMP D.E. ASS'Y 336 ACSR LINNET	000000834	31	_____
DEAD-END, PREFORM 12.5M ALUMOWELD (7#9)	000000873	1	_____
DEAD-END, PREFORM 16M ALUMOWELD (7#8)	000000874	26	_____
DEAD-END, D.E. SVC WEDGE 04-1/0	000000878	2	_____
CLEVIS, SWINGING 3"	000000950	2	_____
CLEVIS, THIMBLE 5/8" 20K	000000953	9	_____
CLEVIS, THIMBLE 3/4" 40K	000000954	9	_____
ANCHOR, SHACKLE 3/4"	000000956	8	_____
ANCHOR, SHACKLE 7/8"	000000958	9	_____
WIRE, ACSR 336.4 LINNET	000001233	2,060	_____
CONNECTOR, CONNECTOR,SC EQUIPMENT GROUND,4/0 AWG	000001451	40	_____
LUG, COMP LUG AL 2H #02	000001508	3	_____
LUG, COMP LUG AL 2H #1/0	000001509	17	_____
LUG, COMP LUG AL 2H #4/0	000001513	18	_____
LUG, COMP LUG AL 2H 750	000001515	72	_____
FASTENER, CLAMP GROUND ROD 3/4"	000001532	49	_____
FASTENER, CLAMP, GROUND ROD, 4/0 AWG	000001533	20	_____
LINE, CONN HOTLINE 477-6 ACSR	000001542	5	_____
LINE, WEDGE STIRRUP SHEAR-BOLT #02-#1/0	000001552	5	_____
CONNECTOR, CONNECTOR STUD DISCONNECT 336.4 LINNET	000001567	12	_____
CONNECTOR, UG CONN PED 6 POS SET SCREW	000001583	8	_____
CONNECTOR, UG CONN PED NEUTRAL SET SCREW	000001589	4	_____
CONNECTOR, UG CONN BLOCK XFMR NEUT 05/8" STUD SET SCREW	000001592	19	_____
CONNECTOR, UG CONN BLOCK XFMR SEC 6 POS SET SCREW	000001601	40	_____
POLE, CROSSARM DIST 08' 3 5/8" X 4 5/8"	000001616	8	_____
POLE, CROSSARM DOUBLE D.E. ASS'Y 1/0 8' 3 WIRE	000001620	1	_____
POLE, CROSSARM, GUYED DEADEND ASSY,8',3-WIRE	000001623	5	_____
POLE, CROSSARM,GUYED DEADEND ASSY,10',4-WIRE	000001624	3	_____
SWITCH, CUTOUT 07.8/13.8KV 100A LB	000001629	3	_____
FUSE, CUTOUT BUTTON 065T	000001649	3	_____
FUSE, S&C 14.4 SMU-20 125E	000001705	7	_____
FUSE, S&C 14.4 SMU-20 040E	000001707	6	_____
FUSE, S&C 14.4 SMU-20 065E	000001708	14	_____
FUSE, S&C END FITTING SML-20	000001709	27	_____
CABINET, SWITCH PMH-09 (600A) 15KV	000002421	6	_____
CABINET, SWITCH PMH-11 (600A) 15KV	000002423	3	_____
CABINET, SWITCH PMH-12 (600A) 15KV	000002426	1	_____
LINE, GAIN CROSSARM BRACELESS	000002515	1	_____
GUY, GUARD PLASTIC	000002750	23	_____
INSULATOR, TIE SPOOL #02	000003262	1	_____
INSULATOR, TIE WRAPLOCK SS #02 F	000003264	3	_____
INSULATOR, TIE SPOOL 336.4	000003283	1	_____
INSULATOR, TIE WRAPLOCK SS 336 F	000003285	3	_____

Control Number _____
 Legal Description _____
 Charge for Materials Yes ___ No ___ Sale ___ P.O. No. _____
 Issued By _____ Received By _____ Date ___/___/___
 Contractor _____
 Special Notes:

Project : E1913870 RELOCATION

In Design

Work Request: E1913870

Design : O'MALLEY ROAD SOA

Capital Account: 10729/000/03/7665
Reimbursible Account: / / /
Retirement Account: 10880/326/03/7665

Description	Part Number	Quantity Orderd	Issued
INSULATOR, PIN TYPE 55-4 13.2KV "F" NECK	0000003299	10	_____
CLEVIS, SPOOL 3"	0000003311	4	_____
DEAD-END, DE INSUL EPOX 08/15KV	0000003328	35	_____
LAMP, LUMINAIRE 54W LED	0000003437	3	_____
PAD, CONC. 8'X10' LID OFFSET	0000003735	4	_____
PAD, CONC. 8'X10' VAULT	0000003736	4	_____
PAD, CONC. 8'X10' VAULT BASE	0000003737	4	_____
PAD, CONC. SUM1 1 PHASE XFMR PAD, J-BOX	0000003742	18	_____
PAD, CONC. SUM1-B 3 PHASE 75-750KVA	0000003743	3	_____
PAD, CONC. SUM1-F 600A SW CABINET 15KV	0000003746	11	_____
LINE, UG PEDESTAL FIBERGLASS	0000003759	4	_____
INSULATOR, PINS XARM SADDLE 01"	0000003803	3	_____
INSULATOR, PINS XARM 01"	0000003804	6	_____
INSULATOR, PINS XARM 1 & 3/8"	0000003805	2	_____
INSULATOR, PINS POLE TOP 01"	0000003810	1	_____
POLE, ST LT STEEL WITH 6' ARM	0000003862	3	_____
POLE, 040 CLASS 2	0000003864	3	_____
POLE, 045 CLASS 1	0000003866	2	_____
ANCHOR, ROD TW EYE 1" X 10'	0000004049	20	_____
ANCHOR, ROD TW EYE 03/4" X 8'	0000004050	3	_____
LINE, GROUND ROD 3/4" X 8'	0000004067	69	_____
CONDUIT, GRC 2"	0000004149	70	_____
CONDUIT, PVC 2"	0000004154	100	_____
CONDUIT, PVC 4"	0000004158	40	_____
CONDUIT, PVC 6"	0000004160	80	_____
CONDUIT, HDPE 2"	0000004161	17,892	_____
CONDUIT, GRC EL 90 DEG 2" 24" RADI	0000004164	1	_____
CONDUIT, GRC EL 90 DEG 2" 36" RADI	0000004165	22	_____
CONDUIT, FG EL 90 DEG 4" 36" RADI	0000004168	4	_____
CONDUIT, FG EL 90 DEGREE 4" 48" RADI	0000004169	6	_____
CONDUIT, FG EL 90 DEGREE 4" 60" RADI	0000004170	4	_____
CONDUIT, FG EL 90 DEG 6" 60" RADI	0000004173	16	_____
CONDUIT, FG EL 45 DEGREE 4" 48" RADI	0000004183	12	_____
CONDUIT, FG EL 45 DEG 6" 60" RADI	0000004185	48	_____
CONDUIT, CLAMP GROUND 2"	0000004195	10	_____
CONDUIT, CHANNEL PIPE STRAP 2"	0000004240	24	_____
CONDUIT, CHANNEL PIPE STRAP 4"	0000004241	12	_____
CONDUIT, CHANNEL PIPE STRAP 6"	0000004242	24	_____
KIT, PRIMARY SPLICE JACKET KIT #02-4/0	0000004506	12	_____
KIT, PRIMARY SPLICE 15KV #02-1/0 JCN	0000004508	9	_____
KIT, PRIMARY SPLICE 15KV 4/0 JCN	0000004510	3	_____
KIT, PRIMARY SPLICE 15KV 750MCM JCN	0000004513	39	_____
LINE, BRACKET CABLE SUPPORT	0000004646	110	_____
SWITCH, CUTOOUT 07.8/13.8KV 300A SOLID BLADE	0000004731	2	_____
SWITCH, CUTOOUT 07.8/13.8KV 300A BLADE ONLY SOLID	0000004732	2	_____
KIT, PRIMARY TERM 15KV #02-1/0 JCN	0000004767	20	_____
KIT, PRIMARY TERM 15KV 3/0-350MCM JCN	0000004772	18	_____
KIT, PRIMARY TERM 15KV 750MCM JCN	0000004773	72	_____
UG ACCES 08/15KV ELBOW TERM #02	0000004784	4	_____
UG ACCES 08/15KV ELBOW TERM #1/0	0000004785	34	_____
UG ACCES 08/15KV ELBOW TERM #4/0 LB W/ADAPTER	0000004787	6	_____
BUSHING, UG ACCES 08/15KV INSERT BSHG CAP	0000004793	11	_____
TRANSFORMER, 0025 KVA PM 1/PH 07.2/12.4 120/240	0000004907	16	_____
TRANSFORMER, 0050 KVA PM 1/PH 07.2/12.4 120/240	0000004909	1	_____
TRANSFORMER, 0075 KVA PM 3/PH 07.2/12.4 120/208	0000004925	2	_____
GUY, WIRE GUY 12.5M ALUMOWELD (7#9)	0000005156	55	_____
GUY, WIRE GUY 16M ALUMOWELD (7#8)	0000005157	1,540	_____
BUSHING, UG ACCES 08/15KV PARKING STAND	0000005227	3	_____
SHRINK, CABLE SEALER COLD SHRINK 2/0-1000 MCM	0000011586	6	_____
CONDUIT, HDPE 4"	0000011877	1,034	_____
CONDUIT, HDPE 6"	0000011888	21,307	_____
SHRINK, CABLE SEALER COLD SHRINK 2-4/0	0000012084	38	_____
WIRE, CU, COVERED TAP, #2	0000012097	50	_____
WIRE, CU, COVERED TAP, #4/0	0000012098	60	_____
CONDUIT, PLUG, BLANK 2"	0000012317	2	_____

Control Number _____
 Legal Description _____
 Charge for Materials Yes ___ No ___ Sale ___ P.O. No. _____
 Issued By _____ Received By _____ Date ___/___/___
 Contractor _____
 Special Notes:

Project : E1913870 RELOCATION

In Design

Work Request: E1913870

Design : O'MALLEY ROAD SOA

Capital Account: 10729/000/03/7665
Reimbursible Account: / / /
Retirement Account: 10880/326/03/7665

Description	Part Number	Quantity Orderd	Issued
CONDUIT, PLUG, BLANK, 4"	0000012319	2	_____
CONDUIT, PLUG, SIMPLEX (1/0 15KV CONC), 2" DUCT	0000012320	2	_____
CONDUIT, PLUG, TRIPLEX (4/0 15KV CONC), 4" DUCT	0000012322	2	_____
CONDUIT, PLUG, TRIPLEX (350/750 CONC), 6" DUCT	0000012323	4	_____
DEAD-END, DE TEE 7/8"	0000012491	9	_____
CONDUIT, PLUG, BLANK, 6"	0000012526	4	_____
INSULATOR, PIN TYPE 55-6 15/25KV, VICE TOP, POLYMER	0000013033	2	_____
LINE, UG INDICATOR FAULT CURRENT RESET 600A TRIP (350-750 KCMIL)	0000013367	9	_____
ANCHOR, CROSSPLATE 24",5/8"-3/4" ROD	0000014008	3	_____
CONDUIT, FG EL 30 DEG 6" 60" RADI	0000015050	20	_____
GUY, ATTACHMENT CONNECTING LINK, TWISTED	0000015244	18	_____
GUY, ATTACHMENT ROLLER	0000015246	18	_____
CONDUIT, HDPE 1-1/2"	0000015389	732	_____
PHOTOCELL	0000017096	3	_____
Cable Rack, Stanchion, Underground Devices CR12-B	0000017446	132	_____
Cable Rack, 8", Underground Devices RA08	0000017447	132	_____
Concrete Anchor, 303 stainless steel, 1/2-13	0000017451	132	_____
Washer, 1-1/4 round, flat, 9/16" hole, 316 stainless	0000017452	132	_____
Bolt, Cap Screw, 1/2"-13 x 1-3/8, 316 stainless steel	0000017453	132	_____
Pull Vault, manhole cover, UV 57-CLX-42C (1350 lbs.)	0000017590	2	_____
Pull Vault, riser, UV 814-48R-UFER (1380 lbs.)	0000017591	2	_____
Pull Vault, base, UV 814-SB-UFER (18000 lbs.)	0000017592	1	_____
Pull Vault, top section, UV 814-TEE-CLS (7060 lbs.)	0000017593	1	_____
Pull Vault, cover, UV 57-CLX-42S (2300 lbs)	0000017594	1	_____
Pull Vault, 6 Riser UV 4206	0000017595	7	_____
Frame Vault, manhole, UV 4240-HD (680 lbs.)	0000017596	6	_____
Cover, manhole, UV 4220-S (600 lbs.)	0000017597	6	_____
Pull Vault, 4 Riser UV 4204	0000017712	10	_____
CONDUIT, FG 4"	0000019879	40	_____
CONDUIT, FG 6"	0000019880	80	_____
Router, AMI, w/4 foot cable, mounting kit, streetlight adaptor	0000019905	1	_____

Non-Inventory

ALUMINUM TIE WIRE #4	0000010312	24	_____
BLUE & GREEN CEA DECAL NON INV	0000010321	43	_____
CAB SWITCH PMH-12 (600A) 25KV	0000010562	1	_____
PADLOCKS	0000010613	36	_____
WARNING DECAL NON-INV	0000010656	4	_____
WEDGE ANCHOR .5 X 2.75 NON-INV	0000010657	82	_____

Remarks:

Control Number _____
 Legal Description _____
 Charge for Materials Yes ___ No ___ Sale ___ P.O. No. _____
 Issued By _____ Received By _____ Date ___/___/___
 Contractor _____
 Special Notes:

CHUGACH ELECTRIC ASSOCIATION, INC.
MATERIAL RETIREMENT TICKET

Project : E1913870
Work Request: E1913870

O'MALLEY ROAD RELOCATION

In Design

Design : O'MALLEY SOA ROAD R

Capital Account: 10729/000/03/7665
Reimbursible Account: / / /
Retirement Account: 10880/326/03/7665

<u>Description</u>	<u>Part Number</u>	<u>Qty. Retired</u>	<u>Retired</u>
CUTOOUT 07.8/13.8KV 100A LB	0000001629	20	_____
CUTOOUT 07.8/13.8KV 100A	0000001633	1	_____
0025 KVA D/B 07.2/12.4 240/480	0000004842	1	_____
0025 KVA D/B 07.2/12.4 120/240	0000004844	7	_____
0050 KVA D/B 07.2/12.4 120/240	0000004846	1	_____
0025 KVA D/B 07.2/12.4 277/480	0000004864	3	_____
0025 KVA PM 1/PH 07.2/12.4 120/240	0000004907	1	_____
0150 KVA PM 3/PH 07.2/12.4 120/208	0000004927	1	_____
15 KVA OH XFMR RETIREMENT ONLY)	0000010304	3	_____

Remarks:

Control Number _____
 Legal Description _____
 Charge for Materials Yes ___ No ___ Sale ___ P.O. No. _____
 Issued By _____ Received By _____ Date ____/____/____
 Contractor _____
 Special Notes:

SC 1140

Serial Number:

Revised Date:

Manufactured Date:

TO:

Revised WO/JO:

Notes:

CONDUCTOR

VACANT

VACANT

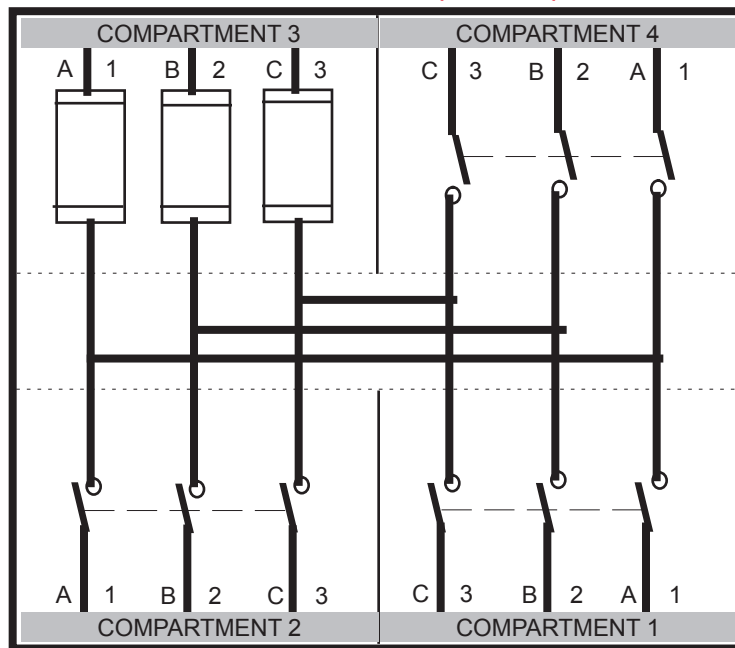
VACANT

4/0 CONC SOUTH TO SC 1142
COMPARTMENT 2

4/0 CONC SOUTH TO SC 1142
COMPARTMENT 2

4/0 CONC SOUTH TO SC 1142
COMPARTMENT 2

DIRECTION
(Reference
to North)



Switch #: 14760

Status: CLOSED

Switch #: 14759
Status: CLOSED

Switch #: 14758
Status: CLOSED

TO:

CONDUCTOR

750 CONC WEST TO O'MALLEY
SUBSTATION THRU VAULT 3503

750 CONC WEST TO O'MALLEY
SUBSTATION THRU VAULT 3503

750 CONC WEST TO O'MALLEY
SUBSTATION THRU VAULT 3503

750 CONC EAST TO SC 1141
COMPARTMENT 2

750 CONC EAST TO SC 1141
COMPARTMENT 2

750 CONC EAST TO SC 1141
COMPARTMENT 2

Fuse Holder Type:

SML-20

Fault Indicators Installed In
Compartments:

1

Spare Fuse Holder
Installed:

NO



LOCATION

NORTH SIDE OF O'MALLEY ROAD BY THE
O'MALLEY FIRE STATION

Inspected by:

Install Date:

Install Work
Order ID: E1913870

Grid Map Location No.: 2538 - 4903

Feeder: OMSS 212

S & C

PMH 9

SC 1141

Serial Number:

Revised Date:

Manufactured Date:

Revised WO/JO:

Notes:

TO:

CONDUCTOR

#2 CONC NORTH TO PM 1
ACS WIRE CENTER

#2 CONC NORTH TO PM 1
ACS WIRE CENTER

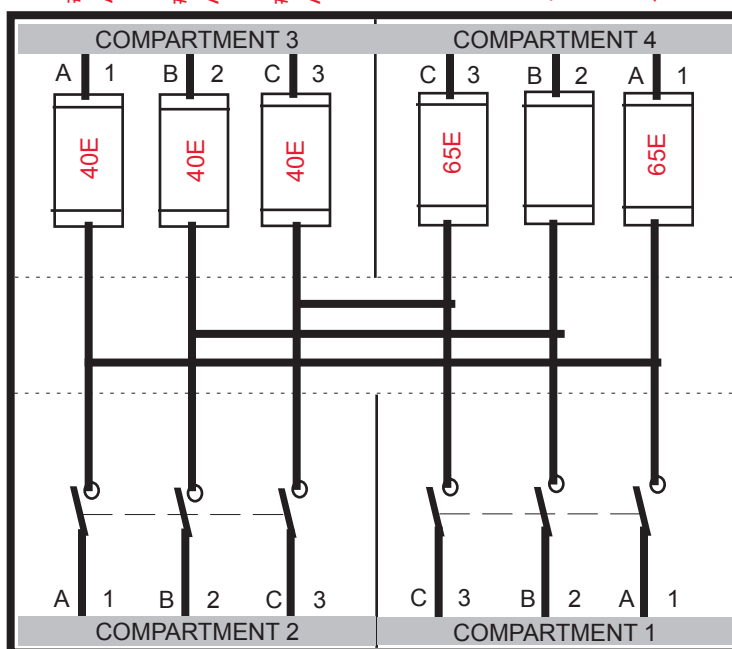
#2 CONC NORTH TO PM 1
ACS WIRE CENTER

1/0 CONC WEST TO PM 3905

VACANT

1/0 CONC EAST TO PM 5603

DIRECTION
(Reference
to North)



Switch #: 14762

Status: CLOSED

Switch #: 14761

Status: CLOSED

TO:

CONDUCTOR

750 CONC WEST TO SC 1140
COMPARTMENT 1

750 CONC WEST TO SC 1140
COMPARTMENT 1

750 CONC WEST TO SC 1140
COMPARTMENT 1

750 CONC EAST TO SC 1143
COMPARTMENT 2

750 CONC EAST TO SC 1143
COMPARTMENT 2

750 CONC EAST TO SC 1143
COMPARTMENT 2

Fuse Holder Type:

SML-20

Spare Fuse Holder
Installed:

NO

Fault Indicators Installed In
Compartments:

1



LOCATION

NORTH SIDE OF O'MALLEY ROAD BY THE
O'MALLEY FIRE STATION

Inspected by:

Install Date:

Install Work
Order ID:

E1913870

Feeder:

O'MALLEY 212

Grid Map Location No.: 2538 - 5003

S & C

PMH 12

SC 1142

Serial Number:

Revised Date:

Manufactured Date:

Revised WO/JO:

Notes:

TO:

CONDUCTOR

4/0 CONC NORTH TO PM 4888

4/0 CONC NORTH TO PM 4888

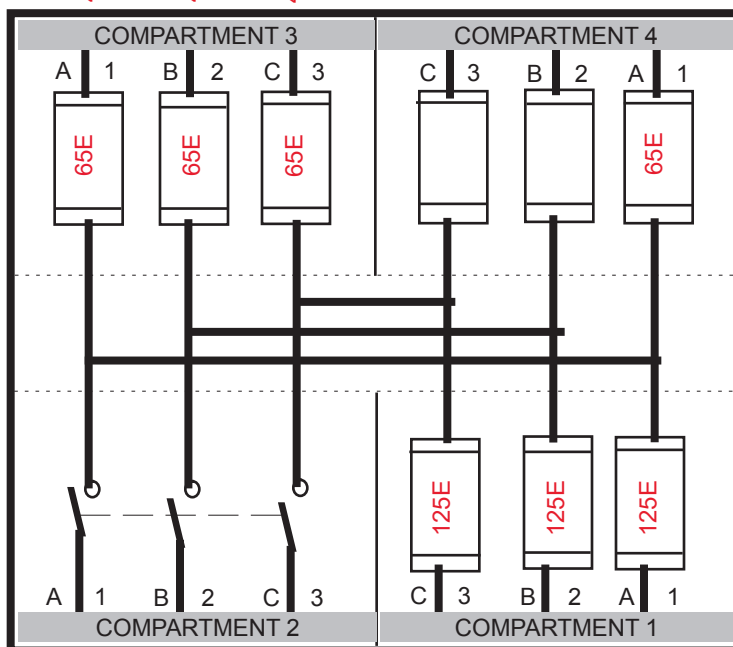
4/0 CONC NORTH TO PM 4888

VACANT

VACANT

1/0 CONC NORTH TO PM 4889

DIRECTION
(Reference to North)



Switch #: 14763
Status: CLOSED

TO:

CONDUCTOR

4/0 CONC NORTH TO SC 1140
COMPARTMENT 4

4/0 CONC NORTH TO SC 1140
COMPARTMENT 4

4/0 CONC NORTH TO SC 1140
COMPARTMENT 4

4/0 CONC SOUTH TO POLE 4986

4/0 CONC SOUTH TO POLE 4986

4/0 CONC SOUTH TO POLE 4986

Fuse Holder Type:

SML-20

Fault Indicators Installed In
Compartments:

Spare Fuse Holder
Installed:

NO



LOCATION

WEST SIDE OF ROCKRIDGE DRIVE AT THE
INTERSECTION OF WOODMONT DRIVE.

Inspected by:

Install Date:

Install Work

Order ID:

Feeder:

E1913870

O'MALLEY 212

Grid Map Location No.: 2638 - 4986

S & C

PMH 9

SC 1143

Serial Number:

Revised Date:

Manufactured Date:

Revised WO/JO:

Notes:

DIRECTION
(Reference to North)



CONDUCTOR TO:

1/0 CONC SOUTH THEN WEST TO PM 6098

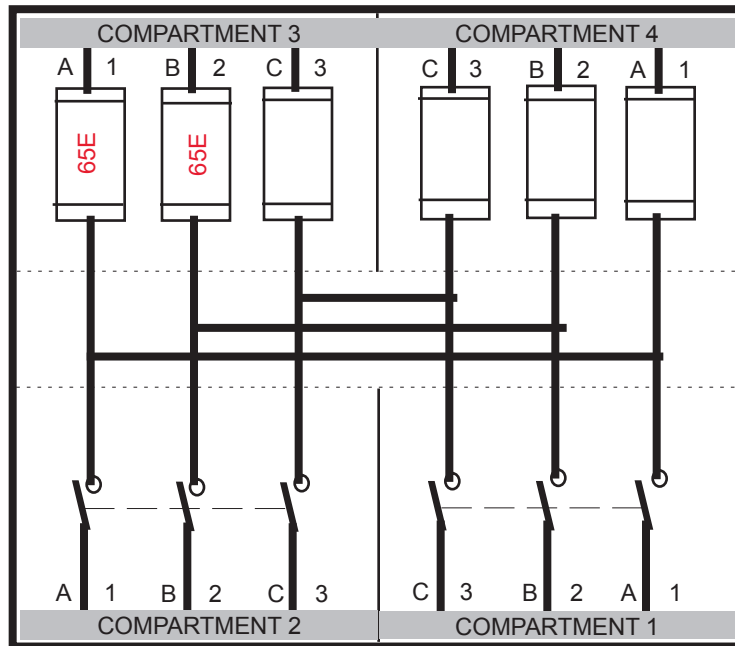
1/0 CONC EAST TO PM 7803

VACANT

VACANT

VACANT

VACANT



Switch #: 14765
Status: CLOSED

Switch #: 14764
Status: CLOSED

CONDUCTOR TO:

750 CONC WEST TO SC 1141 COMPARTMENT 1

750 CONC WEST TO SC 1141 COMPARTMENT 1

750 CONC WEST TO SC 1141 COMPARTMENT 1

750 CONC EAST TO SC 1144 THRU VAULTS: 6403 & 9703 COMPARTMENT 2

750 CONC EAST TO SC 1144 THRU VAULTS: 6403 & 9703 COMPARTMENT 2

750 CONC EAST TO SC 1144 THRU VAULTS: 6403 & 9703 COMPARTMENT 2

Fault Indicators Installed In Compartments:

1

Fuse Holder Type:

SML-20

Spare Fuse Holder Installed:

NO



LOCATION

NORTH SIDE OF O'MALLEY ROAD
400' EAST OF ROCKRIDGE DRIVE

Inspected by: _____

Install Date: _____

Install Work Order ID: E1913870

Grid Map Location No.: 2538 - 6403

Feeder: O'MALLEY 212

S & C

PMH 9

SC 1144

Serial Number:

Revised Date:

Manufactured Date:

TO:

Revised WO/JO:

Notes:

CONDUCTOR

VACANT

1/0 CONC WEST THEN SOUTH
TO PM 8598

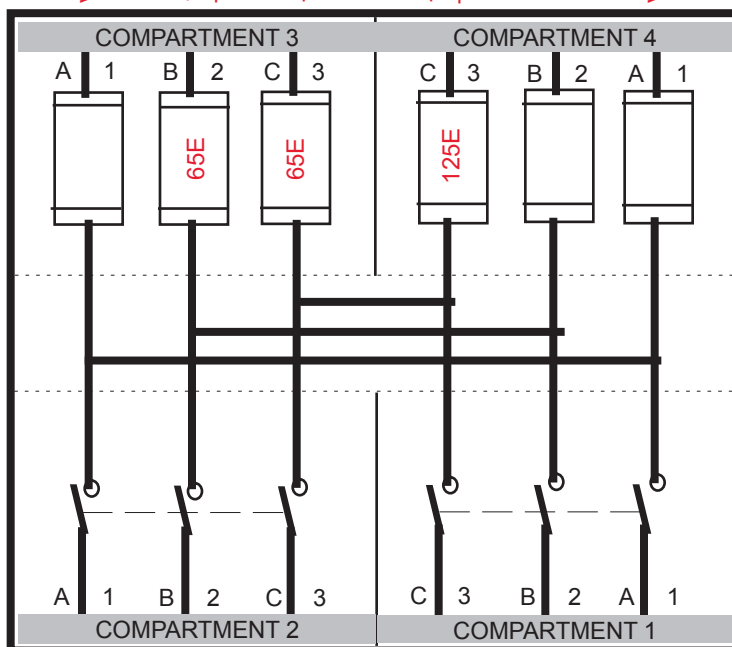
1/0 CONC WEST THEN NORTH
TO PM 9206

1/0 CONC SOUTH THEN EAST
TO POLE 0295 THRU PP 9698

VACANT

VACANT

DIRECTION
(Reference
to North)



Switch #: 14767
Status: CLOSED

Switch #: 14766
Status: CLOSED

Fault Indicators Installed In
Compartments:

1

CONDUCTOR TO:

750 CONC WEST TO SC 1143
THRU VAULTS: 6403 & 9703
COMPARTMENT 1

750 CONC WEST TO SC 1143
THRU VAULTS: 6403 & 9703
COMPARTMENT 1

750 CONC WEST TO SC 1143
THRU VAULTS: 6403 & 9703
COMPARTMENT 1

750 CONC EAST TO SC 1145
THRU VAULT 9703
COMPARTMENT 2

750 CONC EAST TO SC 1145
THRU VAULT 9703
COMPARTMENT 2

750 CONC EAST TO SC 1145
THRU VAULT 9703
COMPARTMENT 2

Fuse Holder Type:

SML-20

Spare Fuse Holder
Installed:

NO



LOCATION

NORTH SIDE OF O'MALLEY ROAD
85' WEST OF MAIN TREE DRIVE

Inspected by: _____

Install Date: _____

Install Work
Order ID: E1913870

Grid Map Location No.: 2538 - 9603

Feeder: O'MALLEY 212

S & C

PMH 9

SC 1145

Serial Number:

Manufactured Date:

Notes:

Revised Date:

Revised WO/JO:

DIRECTION
(Reference to North)



TO:

CONDUCTOR

VACANT

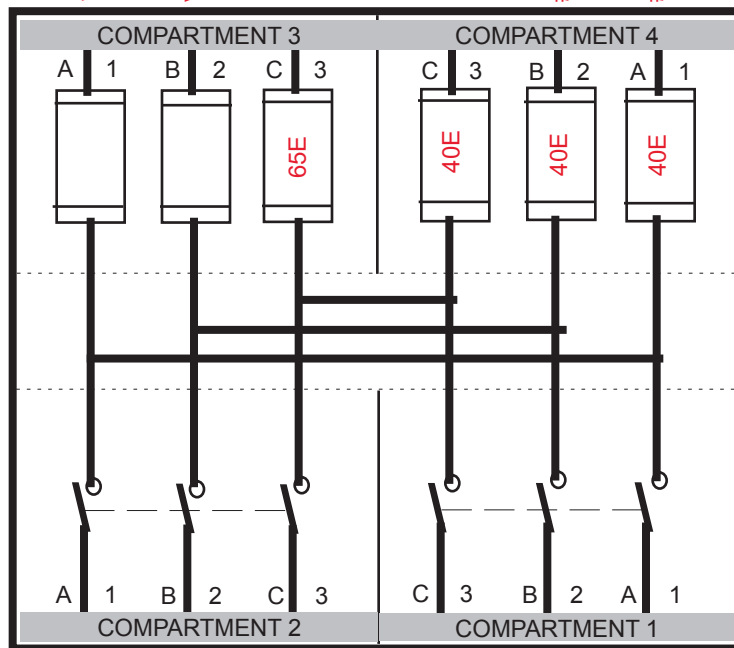
VACANT

1/0 CONC WEST TO PM 1003

#2 CONC WEST THEN NORTH TO PM 11

#2 CONC WEST THEN NORTH TO PM 11

#2 CONC WEST THEN NORTH TO PM 11



Switch #: 14769

Status: CLOSED

Switch #: 14768

Status: CLOSED

TO:

CONDUCTOR

750 CONC WEST TO SC 1144 THRU VAULT 9703 COMPARTMENT 1

750 CONC WEST TO SC 1144 THRU VAULT 9703 COMPARTMENT 1

750 CONC WEST TO SC 1144 THRU VAULT 9703 COMPARTMENT 1

750 CONC EAST TO SC 1149 THRU VAULTS 4403 & 8203 COMPARTMENT 2

750 CONC EAST TO SC 1149 THRU VAULTS 4403 & 8203 COMPARTMENT 2

750 CONC EAST TO SC 1149 THRU VAULTS 4403 & 8203 COMPARTMENT 2

Fuse Holder Type:

SML-20

Spare Fuse Holder Installed:

NO

Fault Indicators Installed In Compartments:

1



LOCATION

NORTH SIDE OF O'MALLEY ROAD
350' EAST OF MAIN TREE DRIVE

Inspected by:

Install Date:

Install Work Order ID:

E1913870

Feeder:

O'MALLEY 212

Grid Map Location No.:

2539 - 1403

S & C

PMH 9

SC 1146

Serial Number:

Revised Date:

Manufactured Date:

TO:

Revised WO/JO:

Notes:

DIRECTION
(Reference to North)



CONDUCTOR

VACANT

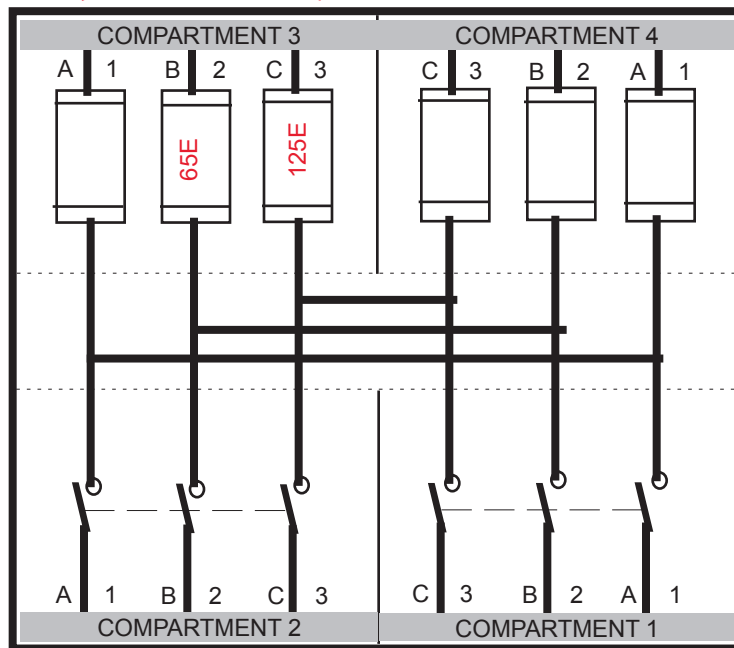
1/0 CONC EAST TO PM 4603

1/0 CONC SOUTH THEN WEST TO PM 3998

VACANT

VACANT

VACANT



Switch #: 14771
Status: CLOSED

Switch #: 14770
Status: CLOSED

CONDUCTOR TO:

750 CONC WEST TO O'MALLEY SUBSTATION THRU VAULTS: 3503, 6403, 9703 & 4403

750 CONC WEST TO O'MALLEY SUBSTATION THRU VAULTS: 3503, 6403, 9703 & 4403

750 CONC WEST TO O'MALLEY SUBSTATION THRU VAULTS: 3503, 6403, 9703 & 4403

750 CONC EAST TO SC 1147 THRU VAULTS 4403 & 8203 COMPARTMENT 2

750 CONC EAST TO SC 1147 THRU VAULTS 4403 & 8203 COMPARTMENT 2

750 CONC EAST TO SC 1147 THRU VAULTS 4403 & 8203 COMPARTMENT 2

Fault Indicators Installed In Compartments:

1

Fuse Holder Type:

SML-20

Spare Fuse Holder Installed:

NO



LOCATION

NORTH SIDE OF O'MALLEY ROAD
120' WEST OF EAST TREE DRIVE

Grid Map Location No.: 2539 - 4503

Inspected by: _____

Install Date: _____

Install Work Order ID: E1913870

Feeder: O'MALLEY 312

S & C

PMH 9

SC 1147

Serial Number:

Revised Date:

Manufactured Date:

Revised WO/JO:

Notes:

DIRECTION
(Reference to North)



CONDUCTOR TO:

1/0 CONC EAST TO PM 8303

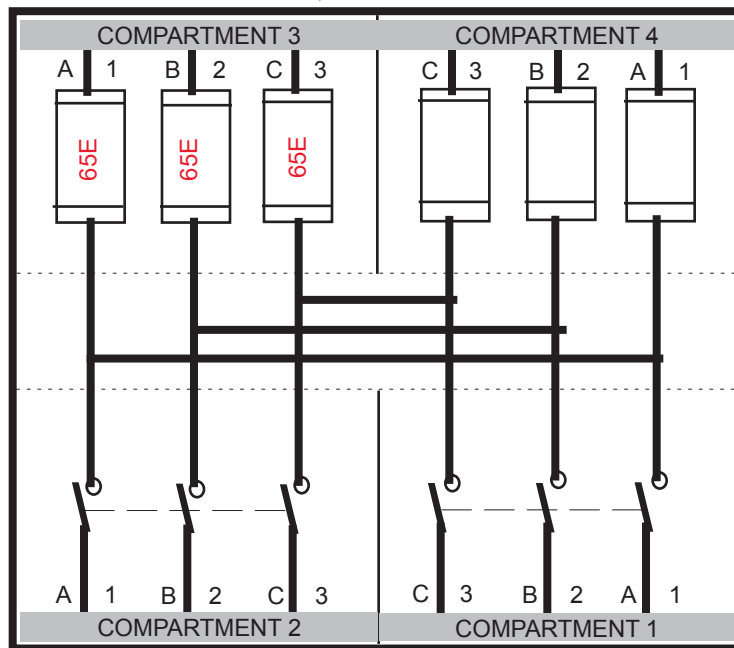
1/0 CONC WEST TO PM 7503

1/0 CONC WEST THEN SOUTH
THRU VAULT 8203 TO PM 7783

VACANT

VACANT

VACANT



Switch #: 14773

Status: CLOSED

Switch #: 14772

Status: CLOSED

CONDUCTOR TO:

750 CONC WEST TO SC 1146
THRU VAULTS: 8203 & 4403
COMPARTMENT 1

750 CONC WEST TO SC 1146
THRU VAULTS: 8203 & 4403
COMPARTMENT 1

750 CONC WEST TO SC 1146
THRU VAULTS: 8203 & 4403
COMPARTMENT 1

750 CONC EAST TO SC 1148
COMPARTMENT 2

750 CONC EAST TO SC 1148
COMPARTMENT 2

750 CONC EAST TO SC 1148
COMPARTMENT 2

Fault Indicators Installed In
Compartments:

1

Fuse Holder Type:

SML-20

Spare Fuse Holder
Installed:

NO



LOCATION

NORTH SIDE OF O'MALLEY ROAD
50' WEST OF CROOKED TREE DRIVE

Grid Map Location No.: 2539 - 8303

Inspected by:

Install Date:

Install Work

Order ID:

E1913870

Feeder:

O'MALLEY 312

SC 1148

Serial Number:

Revised Date:

Manufactured Date:

Revised WO/JO:

Notes:

TO:

CONDUCTOR

1/0 CONC WEST TO PM 9503

VACANT

VACANT

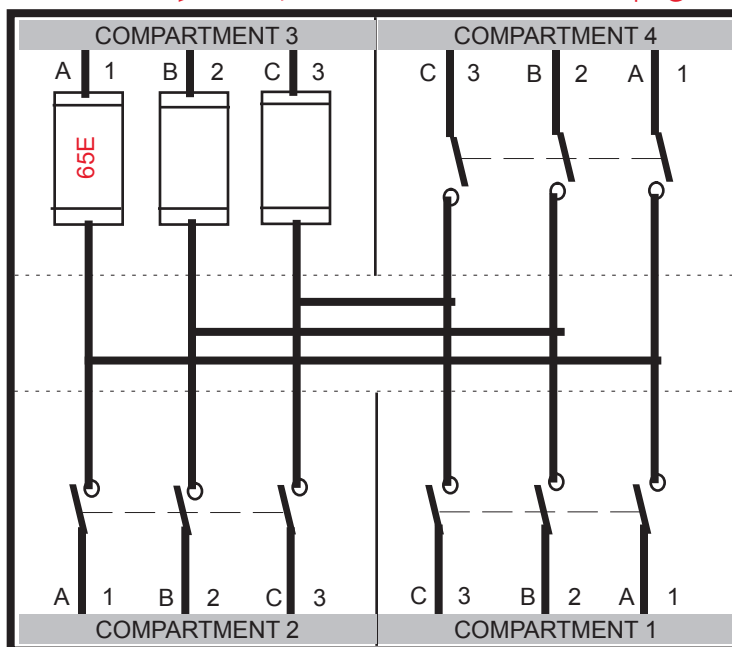
750 CONC EAST TO SC 1149
COMPARTMENT 4

750 CONC EAST TO SC 1149
COMPARTMENT 4

750 CONC EAST TO SC 1149
COMPARTMENT 4

DIRECTION
(Reference
to North)

N ←



Switch #: 14775
Status: CLOSED

Switch #: 14776
Status: CLOSED

Switch #: 14774
Status: CLOSED

Fault Indicators Installed In
Compartments:

1

TO:

CONDUCTOR

750 CONC WEST TO SC 1147
COMPARTMENT 1

750 CONC WEST TO SC 1147
COMPARTMENT 1

750 CONC WEST TO SC 1147
COMPARTMENT 1

750 CONC WEST THEN SOUTH
TO POLE 9194

750 CONC WEST THEN SOUTH
TO POLE 9194

750 CONC WEST THEN SOUTH
TO POLE 9194

Fuse Holder Type:
SML-20

Spare Fuse Holder
Installed:

NO



LOCATION

NORTH SIDE OF O'MALLEY ROAD
110' WEST OF HILLSIDE DRIVE

Inspected by:

Install Date:

Install Work
Order ID:

E1913870

Feeder:

OMSS 312

Grid Map Location No.: 2539 - 9503

SC 1149

Serial Number:

Revised Date:

Manufactured Date:

TO:

Revised WO/JO:

Notes:

CONDUCTOR

VACANT

VACANT

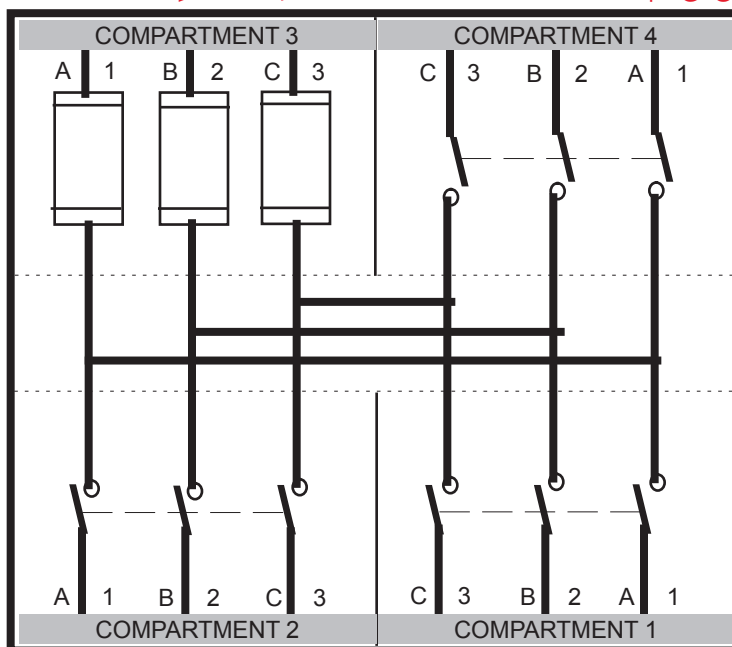
VACANT

750 CONC WEST TO SC 1148
COMPARTMENT 4
OMSS 312

750 CONC WEST TO SC 1148
COMPARTMENT 4
OMSS 312

750 CONC WEST TO SC 1148
COMPARTMENT 4
OMSS 312

DIRECTION
(Reference to North)



Switch #: 14779

Status: OPEN

Switch #: 14778

Status: CLOSED

Switch #: 14777

Status: CLOSED

TO:

CONDUCTOR

750 CONC WEST TO SC 1145
THRU VAULTS: 4403 & 8203
COMPARTMENT 1

750 CONC WEST TO SC 1145
THRU VAULTS: 4403 & 8203
COMPARTMENT 1

750 CONC WEST TO SC 1145
THRU VAULTS: 4403 & 8203
COMPARTMENT 1

750 CONC EAST TO POLE 9703

750 CONC EAST TO POLE 9703

750 CONC EAST TO POLE 9703

Fuse Holder Type:

SML-20

Fault Indicators Installed In
Compartments:

1

Spare Fuse Holder
Installed:

NO



LOCATION

NORTH SIDE OF O'MALLEY ROAD
90' WEST OF HILLSIDE DRIVE

Inspected by:

Install Date:

Install Work

Order ID:

E1913870

Feeder:

OMSS 212

Grid Map Location No.: 2539 - 9603