

In Design

BIDSHEET

for

PROJECT : E1813854

PATTERSON

Work Request: E1813854

Design No.: 1. PATTERSON AT E TUDOR OH/UG 3PH CONVERSION

Capital Account: 10720/000/03/7665

Reimbursible Account: / / /

Retirement Account: 10880/326/03/7665

Work Plan No:

Project Type: System Improvements

Reviewed by Designer/Project Engineer: SM Date: 6/25/20

Sue Mattson

Reviewed by Supervisor/Manager: Brad Jackson Date: 4/25/23

Supervisor

Remarks:

In Design

**Project: E1813854
PATTERSON**

Contractor: _____

Assembly Unit	Proposed Quantity	Actual Quantity	Labor	Material	Labor & Material	Extended Labor & Material
1/0 CONC	1.780					
2 RIBB Service	0.120					
2/0 QUAD Service	0.030					
4/0 BACU	0.040					
4/0 CONC	4.357					
4/0 RIBB	0.360					
750 CONC 15KV	2.640					
BORE	1.050					
MANHOURS	108.000					
POLE45/1	1.000					
Pothole	30.000					
R&R	1.000					
SC7A-1	1.000					
SE15	1.000					
SF7C	1.000					
SHUR2-3	0.095					
SHUR2-5	0.390					
SHURS-5	0.010					
SM2-11	1.000					
SR1-16	0.450					
STAG-1	2.000					
STAG-2	1.000					
SUC3	1.000					
SUG6-25	2.000					
SUG7-25	3.000					
SUM1	5.000					
SUM1F	2.000					
SUM1-GPA	7.000					
SUM3-9	2.000					
SUM5012H	1.260					
SUM5012P	0.010					

Total Extended Labor & Material This Page _____
 Total Extended Labor & Material Previous Page _____
 Total Extended Labor & Material _____

In Design

**Project: E1813854
PATTERSON**

Contractor: _____

Assembly Unit	Proposed Quantity	Actual Quantity	Labor	Material	Labor & Material	Extended Labor & Material
SUM5014H	1.407					
SUM5022H	1.030					
SUM5026H	0.880					
SUM6-1C 1 PH	10.000					
SUM6-1D 3 PH	5.000					
SUM6-25C 1 PH	4.000					
SUM6-25D 3 PH	1.000					
SUM6-25F 3 PH	5.000					
SUM6-28D 3 PH	1.000					
SUM6-28F 3 PH	2.000					
SUM6-36A	7.000					
SUM6-4EL	2.000					
SUM6-6	2.000					
SUME290P2	2.000					
SUME290S3	6.000					
SUME430F4	1.000					
SUME445F4	1.000					
SUME490F3	5.000					
SUME490F5	5.000					
SUME645F5	12.000					
SUME690F5	2.000					
SUMV-1	16.000					
SUPB-675	2.000					
SUR2-3	0.080					
SUR2-5	0.765					
SURCG	1.000					
SURCP	1.000					
SURCR	0.700					
SURL	1.000					
Traffic Control	1.000					
XUR2-11A	4.000					

Total Extended Labor & Material This Page _____
 Total Extended Labor & Material Previous Page _____
 Total Extended Labor & Material _____

In Design

Project: E1813854
PATTERSON

Contractor: _____

Assembly Unit	Proposed Quantity	Actual Quantity	Labor	Material	Labor & Material	Extended Labor & Material
XUR2-12	6.000					
* 1/0 ACSR Neutral	0.980					
* 2 ACSR 3 PH	1.515					
* 2 ACSR Neutral	0.505					
* 2 CONC 1 PH	0.150					
* 2 CONC 3 PH	0.390					
* 4/0 ACSR	2.940					
* 4/0 CONC	0.480					
* 750 CONC 15KV	1.380					
* C1	4.000					
* C1-2	2.000					
* C2-2	1.000					
* C8-2	1.000					
* M2-11	8.000					
* POLE40/4	8.000					
* POLE45/1	1.000					
* POLE50/3	4.000					
* SC7	2.000					
* SC7-1	3.000					
* SC7A-1	1.000					
* SE1-3	2.000					
* SE14	2.000					
* SE15	1.000					
* SF4P	1.000					
* SF4PL	1.000					
* SF7C	2.000					
* SG310-75	1.000					
* SG39-25	3.000					
* SM2-11	1.000					
* SM5-9B	2.000					
* SM5-9B 3 PH	3.000					

Total Extended Labor & Material This Page _____
 Total Extended Labor & Material Previous Page _____
 Total Extended Labor & Material _____

In Design

**Project: E1813854
PATTERSON**

Contractor: _____

Assembly Unit	Proposed Quantity	Actual Quantity	Labor	Material	Labor & Material	Extended Labor & Material
* STAG-2	1.000					
* SUA2	1.000					
* SUC1	1.000					
* SUC1A	1.000					
* SUC3	5.000					
* SUM5	8.000					
* SUM5014FR	1.000					
* SUM5A-2/0	1.000					
* SUM6-10	3.000					
* SUM6-1A 1 PH	2.000					
* SUM6-1A 3 PH	1.000					
* SUM6-1D 3 PH	1.000					
* SUM6-25A 1 PH	2.000					
* SUM6-25D 3 PH	1.000					
* SUM6-25F 3 PH	5.000					
* SUM6-28F 3 PH	1.000					
* 2 RIBB Service	0.025					
* 2/0 QUAD	0.100					
* 4/0 RIBB	0.235					
* SUMH-810	1.000					

Total Extended Labor & Material This Page _____
 Total Extended Labor & Material Previous Page _____
 Total Extended Labor & Material _____

RIGHT-OF-WAY REPORT REVISED

WORK ORDER NO. E1813854

DATE: May 4, 2023

SUBJECT: Patterson @ Tudor Road
OH to UG Primary Line Conversion System Improvement Project
E1813854, GDS 1739, 1740, 1839 & 1840

Easement Rights:

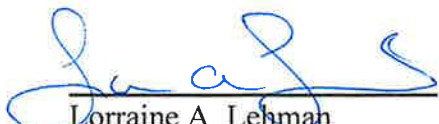
- (X) 1. Dedicated by Plats (72-268, 2003-120, 84-242, 2004-77, N ½, NE ¼, NE ¼, SEC 35, T13N, R3W, S.M. and N ½, NW ¼, SEC 36, T13N, R3W, S.M.,
- (X) 2. CEA specific easements on file (Serial Nos. 2022-027877-0 & 2022-027878-0, Bk. 82, Pg. 577, Bk. 44, Pg. 741 and Bk. 1978, Pg. 689).

Permits:

- () 1. SOA DOT&PF Utility Permit 1-133899-22-208 (pending approval).
- (X) 2. MOA ROW Permit R221788-1000 (change order approved through 9/30/2023).
- (X) 3. US ARMY CORPS OF ENGINEERS Nationwide Permit No. POA-2013-00277 (Expires March 14, 2026).
- () 4. NOC letters will be mailed and Robo calls will be initiated when tentative construction dates are submitted to Land Services and Robo Calls will be initiated as well.

Clearing:

- () 1. Clearing was identified on the project plans dated June 24, 2023.


Lorraine A. Lehman
Right-of-Way Agent I

**In Design
STAKING SHEET**

**for
PROJECT: E1813854
PATTERSON**

Work Request: E1813854
Design: 1. PATTERSON AT E TUDOR OH/UG 3PH CONVERSION
Capital Account: 10720/000/03/7665
Reimbursible Account: / / /
Retirement Account: 10880/326/03/7665
Work Plan No:
Project Type: System Improvements

Reviewed by Designer/Project Engineer: *SM* Date: 6/25/20

Sue Mattson

Reviewed by Supervisor/Manager: *Brad Jackson* Date: 4/25/23
Supervisor

Remarks:

Chugach Electric Association
5601 Electron Drive
Anchorage, AK 99518

Designer _____ Date ___/___/___

Checker _____ Date ___/___/___

Manager _____ Date ___/___/___

Project: E1813854

Design: 1. PATTERSON AT E TUDOR OH/UG 3PH
CONVERSION
PATTERSON

In Design

Grid:
1740,1839,1840,1739

Structure: 01. GENERAL

Assembly Unit	Activity	#Cond	Qty	Unit Description	Complete	Qty
MANHOURS	Install	0	100	MANHOURS (MANHOUR OF LABOR)		
Pothole	Install	0	30	Pothole (Pothole)		
R&R	Install	0	1	R&R FENCE/TEMP (R&R FENCE AND TEMP FENCE)		
SURCG	Install	1	1	SURCG (GRAVEL ROAD CROSSING)		
SURCP	Install	1	1	SURCP (PARKING LOT CROSSING)		
SURCR	Install	1	100	SURCR (STATE/MOA ROAD CROSSING)		
SURL	Install	0	1	SURL (LANDSCAPING)		
Traffic Control	Install	0	1	Traffic Control (Traffic Control)		

Remarks: SURL, TRAFFIC CONTROL, R&R FENCE ARE FOR THE WHOLE PROJECT

MANOURS: SWITCHING AND AT THE INSPECTORS DISCRETION

SURCR: MISCELLANEOUS CUTS THAT MAY BE NECESSARY FOR POTHOLE ETC.

Structure: 02. POLE 9393

Assembly Unit	Activity	#Cond	Qty	Unit Description	Complete	Qty
POLE45/1	Remove	0	1	POLE45/1 (POLE, 045 CLASS 1)		
SC7A-1	Remove	0	1	SC7A-1 (XARM SINGLE DEADEND)		
SE14	Remove	0	1	SE14 (DOWN GUY, DBL. 25M)		
SE14	Remove	0	1	SE14 (DOWN GUY, DBL. 25M)		
SF7C	Remove	0	1	SF7C (ANCHOR, 7' CONCRETE)		
SM2-11	Remove	0	1	SM2-11 (POLE GROUNDING ASSY)		
SUC3	Remove	0	1	SUC3 (PRI RISER)		
SUM6-25F 3 PH	Remove	0	1	SUM6-25F (750 MCM PRIMARY TERMINATION)		

Remarks:

Structure: 03. POLE L12

Assembly Unit	Activity	#Cond	Qty	Unit Description	Complete	Qty
1/0 ACSR Neutral	Remove	1	240	1/0 ACSR Neutral		
4/0 ACSR	Remove	3	240	4/0 ACSR (OH PRIMARY CONDUCTOR)		
M2-11	Remove	0	1	M2-11 (POLE GROUNDING ASSY)		
POLE50/3	Remove	0	1	POLE50/3 (POLE, 050 CLASS 3)		
SC7-1	Remove	0	1	SC7-1 (XARM SINGLE DEADEND)		
SE15	Remove	0	1	SE15 (DOWN GUY, DBL. 32M)		
SF7C	Remove	0	1	SF7C (ANCHOR, 7' CONCRETE)		
SUC3	Remove	0	1	SUC3 (PRI RISER)		
SUM6-25F 3 PH	Remove	0	1	SUM6-25F (750 MCM PRIMARY TERMINATION)		

Remarks:

Structure: 04. MANHOLE VAULT

Assembly Unit	Activity	#Cond	Qty	Unit Description	Complete	Qty
750 CONC 15KV	Remove	3	30	750 CONC 15KV (WIRE, AL JCN 750MCM EPR)		
SUM6-28F 3 PH	Remove	0	1	SUM6-28F (750 MCM PRIMARY SPLICE)		
SUMH-810	Abandon	0	1	Pull Vault - 8x10		

Remarks: WORK ORDER 3630 4-350 MCM =750 CONC REMOVE

THIS SITS IN CLASS A WETLAND

THERE IS NO REQUIREMENT FOR DEMO OR FILL OF THE MANHOLE VAULT. IT MAY BE ABANDONED IN PLACE.

QUESTIONS: THEDE TOBISH MOA PLANNING DEPT. 343-7918 OR JUSTIN PENFIELD (CEA ENVIRONMENTAL)

Structure: 05. POLE L12LAA

Assembly Unit	Activity	#Cond	Qty	Unit Description	Complete	Qty
M2-11	Remove	0	1	M2-11 (POLE GROUNDING ASSY)		
POLE50/3	Remove	0	1	POLE50/3 (POLE, 050 CLASS 3)		
SC7	Remove	0	1	SC7 (XARM SINGLE DEADEND)		
SG310-75	Remove	0	1	SG310-75 (XFMR BANK,3PH,75 KVA,120/240)		
SUM5	Remove	0	1	SUM5 (SECONDARY RISER)		
SUM5A-2/0 QUAD	Remove	0	1	SUM5A-2/0 QUAD (SECONDARY RISER-2/0QUAD)		

Remarks:

Chugach Electric Association 5601 Electron Drive Anchorage, AK 99518	Designer/Project Engineer _____ Date ____/____/____
	Checker _____ Date ____/____/____
	Manager/Supervisor _____ Date ____/____/____

Project: E1813854 Design: 1. PATTERSON AT E TUDOR OH/UG 3PH
 CONVERSION
 PATTERSON

In Design
 Grid:
 1740,1839,1840,1739

Structure: 06. POLE LA

Assembly Unit	Activity	#Cond	Qty	Unit Description	Complete	Qty
1/0 ACSR Neutral	Remove	1	35	1/0 ACSR Neutral		
4/0 ACSR	Remove	3	35	4/0 ACSR (OH PRIMARY CONDUCTOR)		
750 CONC 15KV	Remove	3	430	750 CONC 15KV (WIRE, AL JCN 750MCM EPR)		
M2-11	Remove	0	1	M2-11 (POLE GROUNDING ASSY)		
POLE50/3	Remove	0	1	POLE50/3 (POLE, 050 CLASS 3)		
SC7-1	Remove	0	1	SC7-1 (XARM SINGLE DEADEND)		
SUC3	Remove	0	1	SUC3 (PRI RISER)		
SUM5	Remove	0	1	SUM5 (SECONDARY RISER)		
SUM6-25F 3 PH	Remove	0	1	SUM6-25F (750 MCM PRIMARY TERMINATION)		

Remarks: 750 CONC REMOVE = 350 MCM REMOVE

Structure: 07. POLE LB

Assembly Unit	Activity	#Cond	Qty	Unit Description	Complete	Qty
1/0 ACSR Neutral	Remove	1	20	1/0 ACSR Neutral		
4/0 ACSR	Remove	3	20	4/0 ACSR (OH PRIMARY CONDUCTOR)		
C1	Remove	0	1	C1 (XARM SINGLE SUPPORT)		
M2-11	Remove	0	1	M2-11 (POLE GROUNDING ASSY)		
POLE50/3	Remove	0	1	POLE50/3 (POLE, 050 CLASS 3)		
SG39-25	Remove	0	1	SG39-25 (XFMR,1PH,25 KVA, 3PH, TANGENT)		
SUM5	Remove	0	1	SUM5 (SECONDARY RISER)		

Remarks: STRUCTURE LOCATION 08. INTENTIONALLY LEFT OUT

Structure: 09. POLE 0217

Assembly Unit	Activity	#Cond	Qty	Unit Description	Complete	Qty
1/0 ACSR Neutral	Remove	1	255	1/0 ACSR Neutral		
4/0 ACSR	Remove	3	255	4/0 ACSR (OH PRIMARY CONDUCTOR)		
C1-2	Remove	0	1	C1-2 (XARM SINGLE LARGE CNDCTR)		
M2-11	Remove	0	1	M2-11 (POLE GROUNDING ASSY)		
POLE40/4	Remove	0	1	POLE40/4 (POLE, 040 CLASS 4)		
SM5-9B	Remove	0	1	CUTOUT ASSEMBLY LOAD BREAK XRM MT		
SUA2	Remove	0	1	SUA2 (PRI RISER ON 3 PH OH LINE)		
SUM6-25A 1 PH	Remove	0	1	SUM6-25A (#2 PRIMARY TERMINATION)		

Remarks:

Structure: 10. POLE NO #

Assembly Unit	Activity	#Cond	Qty	Unit Description	Complete	Qty
1/0 ACSR Neutral	Remove	1	125	1/0 ACSR Neutral		
4/0 ACSR	Remove	3	125	4/0 ACSR (OH PRIMARY CONDUCTOR)		
C1-2	Remove	0	1	C1-2 (XARM SINGLE LARGE CNDCTR)		
POLE40/4	Remove	0	1	POLE40/4 (POLE, 040 CLASS 4)		
SC7-1	Remove	0	1	SC7-1 (XARM SINGLE DEADEND)		
SE1-3	Remove	0	1	SE1-3 (DOWN GUY, SINGLE, 10M)		
SF4PL	Remove	0	1	SF4PL (ANCHOR, ROD TW EYE 1" X10')		
SM5-9B 3 PH	Remove	0	1	CUTOUT ASSEMBLY LOAD BREAK XRM MT 3 PH		

Remarks:

Structure: 11. POLE L2

Assembly Unit	Activity	#Cond	Qty	Unit Description	Complete	Qty
1/0 ACSR Neutral	Remove	1	105	1/0 ACSR Neutral		
4/0 ACSR	Remove	3	105	4/0 ACSR (OH PRIMARY CONDUCTOR)		
C2-2	Remove	0	1	C2-2 (XARM DOUBLE LARGE CNDCTR)		
POLE40/4	Remove	0	1	POLE40/4 (POLE, 040 CLASS 4)		

Remarks:

Structure: 12. POLE 0232

Assembly Unit	Activity	#Cond	Qty	Unit Description	Complete	Qty
1/0 ACSR Neutral	Remove	1	160	1/0 ACSR Neutral		
4/0 ACSR	Remove	3	160	4/0 ACSR (OH PRIMARY CONDUCTOR)		
C8-2	Remove	0	1	C8-2 (XARM DBL.D.E.LARGE CNDCTR)		
M2-11	Remove	0	0	M2-11 (POLE GROUNDING ASSY)		
POLE40/4	Remove	0	1	POLE40/4 (POLE, 040 CLASS 4)		
SUC3	Remove	0	1	SUC3 (PRI RISER)		
SUC3	Remove	0	1	SUC3 (PRI RISER)		
SUM6-25F 3 PH	Remove	0	1	SUM6-25F (750 MCM PRIMARY TERMINATION)		
SUM6-25F 3 PH	Remove	0	1	SUM6-25F (750 MCM PRIMARY TERMINATION)		

Chugach Electric Association
 5601 Electron Drive
 Anchorage, AK 99518

Designer/Project Engineer _____ Date ____/____/____
 Checker _____ Date ____/____/____
 Manager/Supervisor _____ Date ____/____/____

Project: E1813854 Design: 1. PATTERSON AT E TUDOR OH/UG 3PH
 CONVERSION
 PATTERSON

In Design
 Grid:
 1740,1839,1840,1739

Remarks: 2-SUC3 RISERS REMOVE REPRESENT A UM2-7B DOUBLE FEEDER TERMINATION U-SHIELD
 INSTALLED ON WO 6421 (1977).
 THESE U-SHIELDS CONTACT WITH 4-6" CONDUITS CROSSING PATTERSON ST. THE 750
 SHLD/4/0 BACU
 IS THEN DIRECT BURIED TO THE OUTSIDE OF BONIFACE SUB FENCE WHERE IT GOES THRU
 6" CONDUITS TO BREAKERS 512 & 612.

STRUCTURE LOCATION 13. INTENTIONALLY LEFT OUT

Structure: 14. VAULT9394

Assembly Unit	Activity	#Cond	Qty	Unit Description	Complete	Qty
MANHOURS	Install	0	8	MANHOURS (MANHOUR OF LABOR)		
SUM1-GPA	Install	0	1	SUM1-GPA (GUARD POST W/SLEEVE)		
SUM1-GPA	Install	0	1	SUM1-GPA (GUARD POST W/SLEEVE)		
SUM6-28F 3 PH	Install	0	1	SUM6-28F (750 MCM PRIMARY SPLICE)		
SUM6-6	Install	0	2	SUM6-6 (GROUNDING ASSY)		
SUMV-1	Install	0	8	CABLE RACK RAO8 & STANCHION		
SUPB-675	Install	0	1	3Ø PULL BOX FEEDER		
XUR2-11A	Install	0	4	XUR2-11A (XUR2-11A (TYPE II))		
XUR2-12	Install	0	6	XUR2-12 (EXPORT)		

Remarks: MANHOURS: OVEREXCAVATE AND PROVIDE GEOTEXTILE (CONTRACTOR SUPPLIED) AND
 ADDITIIONAL GRAVEL AS CONDITIONS WARRANT

Structure: 15. SC 1138

Assembly Unit	Activity	#Cond	Qty	Unit Description	Complete	Qty
750 CONC 15KV	Install	3	445	750 CONC 15KV (WIRE, AL JCN 750MCM EPR)		
BORE	Install	1	330	BORE		
SR1-16	Install	1	20	SR1-16 (CLEARING, 16' FOR UG LINES)		
SUM1F	Install	0	1	SUM1F (CONCRETE PAD 600 A SWITCH CAB.)		
SUM1-GPA	Install	0	1	SUM1-GPA (GUARD POST W/SLEEVE)		
SUM1-GPA	Install	0	1	SUM1-GPA (GUARD POST W/SLEEVE)		
SUM1-GPA	Install	0	1	SUM1-GPA (GUARD POST W/SLEEVE)		
SUM3-9	Install	0	1	SUM3-9 (600 A SC 2 FUSES 2 SWITCHES)		
SUM5026H	Install	1	445	SUM5026H - Conduit ((2) 6" HDPE CONDUIT)		
SUM6-25C 1 PH	Install	0	1	SUM6-25C (1/0 PRIMARY TERMINATION)		
SUM6-25C 1 PH	Install	0	1	SUM6-25C (1/0 PRIMARY TERMINATION)		
SUM6-25C 1 PH	Install	0	1	SUM6-25C (1/0 PRIMARY TERMINATION)		
SUM6-25F 3 PH	Install	0	1	SUM6-25F (750 MCM PRIMARY TERMINATION)		
SUM6-25F 3 PH	Install	0	1	SUM6-25F (750 MCM PRIMARY TERMINATION)		
SUM6-36A	Install	0	1	SUM6-36A (FUSE, S&C END FITTING SML-20)		
SUM6-36A	Install	0	1	SUM6-36A (FUSE, S&C END FITTING SML-20)		
SUM6-36A	Install	0	1	SUM6-36A (FUSE, S&C END FITTING SML-20)		
SUM6-4EL	Install	0	1	3-PH UG CURNT RESET FI, 600A TRIP		
SUME645F5	Install	0	2	SUME645F5 (6" FG 45 60")		
SUME645F5	Install	0	6	SUME645F5 (6" FG 45 60")		
SUME690F5	Install	0	2	SUME690F5 (6" FG 90 60")		
SUR2-5	Install	1	180	SUR2-5 (PRIMARY TRENCH)		

Remarks: (2) TWO SUME645F5 IN SC 1138 FOR RUN SOUTH
 (2) TWO SUME690F5 FOR HORIZONTAL RUN ON THE SOUTH SIDE OF TUDOR
 (4) FOUR SUME645F5 FOR SLOPE TRANSITION AT SC 1138 SOUTH
 (2) TWO SUME645F5 IN SC 2 FOR RUN NORTH TO SC 1139

Structure: 16. PM 0205

Assembly Unit	Activity	#Cond	Qty	Unit Description	Complete	Qty
1/0 CONC	Install	1	190	1/0 CONC Wire (1/0 CONCENTRIC PRIMARY)		
BORE	Install	1	150	BORE		
SHUR2-5	Install	1	10	SHUR2-5 (PRIMARY TRENCH HAND -DIG)		
SUG7-25	Install	0	1	SUG7-25 (XFMR, PM, 25 KVA, 1 PH, LOOP)		
SUM1	Install	0	1	SUM1 (CONCRETE PAD 1 PH XFMR)		
SUM5022H	Install	1	190	SUM5022H - Conduit ((2) 2" HDPE CONDUIT)		
SUM6-1C 1 PH	Install	0	1	SUM6-1C (1/0 LB ELBOW TERMINATION-15KV)		
SUM6-1C 1 PH	Install	0	1	SUM6-1C (1/0 LB ELBOW TERMINATION-15KV)		
SUME290S3	Install	0	2	SUME290S3 (2" RSC 90 36")		

Remarks: 30' IS COMMON TRENCH WITH SC 1138
 2 SUME290S3 FOR HORIZONTAL 90 DEG TURN AT THE BASE OF THE SLOPE SOUTH OF SC
 1138

Structure: 17. LCLU

Assembly Unit	Activity	#Cond	Qty	Unit Description	Complete	Qty
---------------	----------	-------	-----	------------------	----------	-----

Chugach Electric Association 5601 Electron Drive Anchorage, AK 99518	Designer/Project Engineer _____ Date ____/____/____ Checker _____ Date ____/____/____ Manager/Supervisor _____ Date ____/____/____
--	--

Project: E1813854 Design: 1. PATTERSON AT E TUDOR OH/UG 3PH
 CONVERSION
 PATTERSON

In Design
 Grid:
 1740,1839,1840,1739

Structure: 17. LCLU

Assembly Unit	Activity	#Cond	Qty	Unit Description	Complete	Qty
2 RIBB Service	Install	1	120	2 RIBB Wire Service (#2 3-WIRE SERVICE)		
SUM5012H	Install	1	120	SUM5012H - Conduit ((1) 2" HDPE CONDUIT)		
SUR2-3	Install	1	50	SUR2-3 (SECONDARY TRENCH)		
SURCR	Install	1	5	SURCR (STATE/MOA ROAD CROSSING)		
2 RIBB Service	Abandon	1	25	2 RIBB Wire Service (#2 3-WIRE SERVICE)		

Remarks: 70' IS COMMON TRENCH WITH PM 0316
 TCUT PATCH ASPHALT BIKE PATH

Structure: 18. PM 0316

Assembly Unit	Activity	#Cond	Qty	Unit Description	Complete	Qty
1/0 CONC	Install	1	350	1/0 CONC Wire (1/0 CONCENTRIC PRIMARY)		
BORE	Install	1	270	BORE		
SHUR2-5	Install	1	30	SHUR2-5 (PRIMARY TRENCH HAND -DIG)		
SUM5022H	Install	1	350	SUM5022H - Conduit ((2) 2" HDPE CONDUIT)		
SUM6-1C 1 PH	Install	0	1	SUM6-1C (1/0 LB ELBOW TERMINATION-15KV)		
SUR2-5	Install	1	50	SUR2-5 (PRIMARY TRENCH)		
2 CONC 1 PH	Remove	1	10	2 CONC Wire 1 PH (#2 CONCENTRIC PRIMARY)		
SUM6-1A 1 PH	Remove	0	1	SUM6-1A (#2 LB ELBOW TERMINATION)		

Remarks:

Structure: 19. PM 0304

Assembly Unit	Activity	#Cond	Qty	Unit Description	Complete	Qty
1/0 CONC	Install	1	240	1/0 CONC Wire (1/0 CONCENTRIC PRIMARY)		
SHUR2-5	Install	1	10	SHUR2-5 (PRIMARY TRENCH HAND -DIG)		
STAG-1	Install	0	1	STAG-1 (SECONDARY CABLE TAGS)		
SUG6-25	Install	0	1	SUG6-25 (XFMR, PM, 25 KVA, 1 PH, RADIAL)		
SUM1	Install	0	1	SUM1 (CONCRETE PAD 1 PH XFMR)		
SUM5022H	Install	1	240	SUM5022H - Conduit ((2) 2" HDPE CONDUIT)		
SUM6-1C 1 PH	Install	0	1	SUM6-1C (1/0 LB ELBOW TERMINATION-15KV)		
SUME290P2	Install	0	1	SUME290P2 (2" PVC 90 24")		
SUME290S3	Install	0	2	SUME290S3 (2" RSC 90 36")		
SUR2-5	Install	1	40	SUR2-5 (PRIMARY TRENCH)		

Remarks: PM 0304 & PM 0304A WILL BE BANKED TOGETHER TO PROVIDE 120/240 VOLT OPEN DELTA SERVICE TO THE AWWU LIFT STATION.

PROVIDE A 4/0 XLP 1C BETWEEN PM 0304 AND PM 0304A FOR B PHASE CONNECTION
 SECONDARY SIDE BETWEEN X3 PM 0304 AND X1 PM 0304A
 STAG-1: LABEL JUMPER "TO PM0304A X1"

PROVIDE #2BACU STRANDED BETWEEN PM 0304 & PM PM0304A GROUND RINGS

THE CONTRACTOR WILL PROVIDE AND INSTALL A SIGN WHICH READS "OPEN BANK-LIGHTING LEG" ON PM 0304 ATTACHED TO THE FRONT OF PM 0304

30' IS COMMON TRENCH WITH SC 1138
 150' IS WITH COMMON BORE ACROSS PATTERSON

Structure: 20. PM 0304A

Assembly Unit	Activity	#Cond	Qty	Unit Description	Complete	Qty
1/0 CONC	Install	1	250	1/0 CONC Wire (1/0 CONCENTRIC PRIMARY)		
SHUR2-5	Install	1	10	SHUR2-5 (PRIMARY TRENCH HAND -DIG)		
SR1-16	Install	1	100	SR1-16 (CLEARING, 16' FOR UG LINES)		
STAG-1	Install	0	1	STAG-1 (SECONDARY CABLE TAGS)		
SUG6-25	Install	0	1	SUG6-25 (XFMR, PM, 25 KVA, 1 PH, RADIAL)		
SUM1	Install	0	1	SUM1 (CONCRETE PAD 1 PH XFMR)		
SUM5012P	Install	1	10	SUM5012P - Conduit ((1) 2" PVC CONDUIT)		
SUM5022H	Install	1	250	SUM5022H - Conduit ((2) 2" HDPE CONDUIT)		
SUM6-1C 1 PH	Install	0	1	SUM6-1C (1/0 LB ELBOW TERMINATION-15KV)		
SUME290P2	Install	0	1	SUME290P2 (2" PVC 90 24")		
SUME290S3	Install	0	2	SUME290S3 (2" RSC 90 36")		
SUR2-5	Install	1	10	SUR2-5 (PRIMARY TRENCH)		

Chugach Electric Association
 5601 Electron Drive
 Anchorage, AK 99518

Designer/Project Engineer _____ Date ____/____/____
 Checker _____ Date ____/____/____
 Manager/Supervisor _____ Date ____/____/____

Project: E1813854 Design: 1. PATTERSON AT E TUDOR OH/UG 3PH
 CONVERSION
 PATTERSON

In Design
 Grid:
 1740,1839,1840,1739

Remarks: 30' COMMON TRENCH WITH SC 1138
 150' COMMON BORE
 50' COMMON TRENCH WITH PM 0304

2 SUME290S3 FOR HORIZONTAL 90 DEG TURN AT THE BASE OF THE SLOPE SOUTH OF SC 1138

STAG-1: LABEL JUMPER "TO PM 0304 X3"

THE CONTRACTOR WILL PROVIDE AND INSTALL A SIGN WHICH READS "OPEN BANK-POWER LEG" ATTACHED TO THE RONT OF PM 0304A

REMOVE GROUND STRAP BETWEEN PM 0304A X2 AND TANK . REMOVE SECONDARY BLOCK AND WRAP STUD WITH TAPE.

Structure: 20A. PED 0597(PED25)

Assembly Unit	Activity	#Cond	Qty	Unit Description	Complete	Qty
2/0 QUAD Service	Install	1	30	2/0 4-WIRE SERVICE		
SUM5012H	Install	1	30	SUM5012H - Conduit ((1) 2" HDPE CONDUIT)		
SUR2-3	Install	1	30	SUR2-3 (SECONDARY TRENCH)		
2/0 QUAD	Abandon	1	100	2/0 4-WIRE SECONDARY		

Remarks:

Structure: 21. SC 1139

Assembly Unit	Activity	#Cond	Qty	Unit Description	Complete	Qty
750 CONC 15KV	Install	3	395	750 CONC 15KV (WIRE, AL JCN 750MCM EPR)		
BORE	Install	1	300	BORE		
SHUR2-5	Install	1	50	SHUR2-5 (PRIMARY TRENCH HAND -DIG)		
SR1-16	Install	1	140	SR1-16 (CLEARING, 16' FOR UG LINES)		
SUM1F	Install	0	1	SUM1F (CONCRETE PAD 600 A SWITCH CAB.)		
SUM3-9	Install	0	1	SUM3-9 (600 A SC 2 FUSES 2 SWITCHES)		
SUM5026H	Install	1	395	SUM5026H - Conduit ((2) 6" HDPE CONDUIT)		
SUM6-25C 1 PH	Install	0	1	SUM6-25C (1/0 PRIMARY TERMINATION)		
SUM6-25D 3 PH	Install	0	1	SUM6-25D (4/0 PRIMARY TERMINATION)		
SUM6-25F 3 PH	Install	0	1	SUM6-25F (750 MCM PRIMARY TERMINATION)		
SUM6-25F 3 PH	Install	0	1	SUM6-25F (750 MCM PRIMARY TERMINATION)		
SUM6-36A	Install	0	1	SUM6-36A (FUSE, S&C END FITTING SML-20)		
SUM6-36A	Install	0	1	SUM6-36A (FUSE, S&C END FITTING SML-20)		
SUM6-36A	Install	0	1	SUM6-36A (FUSE, S&C END FITTING SML-20)		
SUM6-36A	Install	0	1	SUM6-36A (FUSE, S&C END FITTING SML-20)		
SUM6-4EL	Install	0	1	3-PH UG CURNT RESET FI, 600A TRIP		
SUME445F4	Install	0	1	SUME445F4 (4" FG 45 48")		
SUME645F5	Install	0	4	SUME645F5 (6" FG 45 60")		
SUR2-5	Install	1	45	SUR2-5 (PRIMARY TRENCH)		

Remarks: BRING 1-4" HDPE WITH 4/0 CONC 290' FROM PM 9020 INTO COMP. 3

ONE 4" 45 DEGREE 4' R ELBOW IS FOR RUN TO PM 9020
 TWO 6" 45 DEGREE 5' R ELBOW IS FOR RUN TO SC 1138
 TWO 6" 45 DEGREE 5' R ELBOWS WILL BE IN SC 1139 WHICH IS TO CONNECT TO THE CONDUIT PROVIDE FOR IN WO E2020057 TRANSMISSION TO BRK 512

Structure: 22. PM 9020

Assembly Unit	Activity	#Cond	Qty	Unit Description	Complete	Qty
4/0 CONC	Install	3	290	4/0 CONC Wire (4/0 CONCENTRIC PRIMARY)		
SHUR2-5	Install	1	60	SHUR2-5 (PRIMARY TRENCH HAND -DIG)		
SR1-16	Install	1	100	SR1-16 (CLEARING, 16' FOR UG LINES)		
SUM5014H	Install	1	257	SUM5014H - Conduit ((1) 4" HDPE CONDUIT)		
SUM6-1D 3 PH	Install	0	1	SUM6-1D (4/0 LB ELBOW TERMINATION)		
SUM6-1D 3 PH	Install	0	1	SUM6-1D (4/0 LB ELBOW TERMINATION)		
SUME490F3	Install	0	2	SUME490F3 (4" FG 90 36")		
SUME490F5	Install	0	2	SUME490F5 (4" FG 90 60")		
SUR2-5	Install	1	205	SUR2-5 (PRIMARY TRENCH)		
SURCR	Install	1	270	SURCR (STATE/MOA ROAD CROSSING)		
4/0 CONC	Remove	3	160	4/0 CONC Wire (4/0 CONCENTRIC PRIMARY)		
SUM6-1D 3 PH	Remove	0	1	SUM6-1D (4/0 LB ELBOW TERMINATION)		

Chugach Electric Association
 5601 Electron Drive
 Anchorage, AK 99518

Designer/Project Engineer _____ Date ____/____/____
 Checker _____ Date ____/____/____
 Manager/Supervisor _____ Date ____/____/____

Project: E1813854 Design: 1. PATTERSON AT E TUDOR OH/UG 3PH
 CONVERSION
 PATTERSON

In Design
 Grid:
 1740,1839,1840,1739

Remarks: 25' SHUR2-5 COMMON TRENCH WITH 23. PM 8120

2 SUME490F3 IN TRANSFORMER
 2 SUME490F5 IN HORIZONTAL RUN TO SC 1139

SURCR IS BEING PROVIDED FOR THE ROAD CROSSING AT THE ENTRANCE TO THE ACCESS RD AND PATTERSON ST.
 ALSO SHOULD THE NEED ARRIVE TO CUT THE NORTH SIDE OF THE ACCESS RD SHOULD IT BE NECESSARY TO OBTAIN THE WIDTH NEEDED FOR THE TRENCH THIS MAYBE DELETED BY THE INSPECTOR
 THIS NOTE ALSO PERTAINS TO 23. PM 8120

Structure: 23. PM 8120

Assembly Unit	Activity	#Cond	Qty	Unit Description	Complete	Qty
4/0 CONC	Install	3	325	4/0 CONC Wire (4/0 CONCENTRIC PRIMARY)		
SHUR2-5	Install	1	150	SHUR2-5 (PRIMARY TRENCH HAND -DIG)		
SR1-16	Install	1	50	SR1-16 (CLEARING, 16' FOR UG LINES)		
SUM5014H	Install	1	325	SUM5014H - Conduit ((1) 4" HDPE CONDUIT)		
SUM6-1D 3 PH	Install	0	1	SUM6-1D (4/0 LB ELBOW TERMINATION)		
SUM6-1D 3 PH	Install	0	1	SUM6-1D (4/0 LB ELBOW TERMINATION)		
SUME490F3	Install	0	2	SUME490F3 (4" FG 90 36")		
SUME490F5	Install	0	2	SUME490F5 (4" FG 90 60")		
SUR2-5	Install	1	175	SUR2-5 (PRIMARY TRENCH)		
SURCR	Install	1	325	SURCR (STATE/MOA ROAD CROSSING)		
2 CONC 3 PH	Remove	3	130	2 CONC Wire 3 PH (#2 CONCENTRIC PRIMARY)		
SUM6-1A 3 PH	Remove	0	1	SUM6-1A (#2 LB ELBOW TERMINATION)		

Remarks: SURL FOUND UNDER GENERAL: RESTORE AND STABILIZE THE SLOPE AS REQUIRED ALONG THE NORTH SIDE OF THE ROAD WHERE SECONDARIES GO UP THE SLOPE AND AS REQUIRED ALONG THE NORTH/SOUTH ROUTE PARALLEL TO THE ROAD

2 SUME490F3 FOR INSIDE PM 8120
 2 SUME490F5 FOR HORIZONTAL RUN TO 22. PM 9020

Structure: 24. V 9722

Assembly Unit	Activity	#Cond	Qty	Unit Description	Complete	Qty
4/0 CONC	Install	3	530	4/0 CONC Wire (4/0 CONCENTRIC PRIMARY)		
SUM5014H	Install	1	530	SUM5014H - Conduit ((1) 4" HDPE CONDUIT)		
SUM6-28D 3 PH	Install	0	1	SUM6-28D (4/0 PRIMARY SPLICE)		
SUMV-1	Install	0	8	CABLE RACK RAO8 & STANCHION		
SUPB-675	Install	0	1	3Ø PULL BOX FEEDER		

Remarks: SET THE 675 VAULT UPSIDE DOWN SUCH THAT IS ALLOWS FOR PROPER PLACEMENT OF CONDUIT

COMMON TRENCH WITH PM 8120 AND PM 9020

Structure: 24A. PM 9911

Assembly Unit	Activity	#Cond	Qty	Unit Description	Complete	Qty
4/0 CONC	Install	3	308	4/0 CONC Wire (4/0 CONCENTRIC PRIMARY)		
SHUR2-5	Install	1	10	SHUR2-5 (PRIMARY TRENCH HAND -DIG)		
SUM5014H	Install	1	295	SUM5014H - Conduit ((1) 4" HDPE CONDUIT)		
SUM6-1D 3 PH	Install	0	1	SUM6-1D (4/0 LB ELBOW TERMINATION)		
SUME430F4	Install	0	1	SUME430F4 (4" FG 30 48")		
SUME490F3	Install	0	1	SUME490F3 (4" FG 90 36")		
SUME490F5	Install	0	1	SUME490F5 (4" FG 90 60")		
SUR2-5	Install	1	10	SUR2-5 (PRIMARY TRENCH)		
SUM6-10	Remove	0	3	SUM6-10 (200A BUSHING CAP)		

Remarks: SUME430F5 IS FOR THE HORIZONTAL TRENCH AT THE TRANSITION FROM THE EAST/WEST EASEMENT OUT OF PM 9911 TO THE NORTH SOUTH EASEMENT

SUME490F5 IS FOR HORIZONTAL TRENCH 20' EAST OF VAULT 9722

Structure: 25. POLE 9223

Assembly Unit	Activity	#Cond	Qty	Unit Description	Complete	Qty
2 ACSR 3 PH	Remove	3	240	2 ACSR Conductor 3 PH (OH PRIMARY CONDUCTOR)		
2 ACSR Neutral	Remove	1	240	2 ACSR Neutral		
C1	Remove	0	1	C1 (XARM SINGLE SUPPORT)		
M2-11	Remove	0	1	M2-11 (POLE GROUNDING ASSY)		
POLE40/4	Remove	0	1	POLE40/4 (POLE, 040 CLASS 4)		
SE1-3	Remove	0	1	SE1-3 (DOWN GUY, SINGLE, 10M)		
SF4P	Remove	0	1	SF4P (ANCHOR,PLATE,16M, 3/4" X 8' RO)		

Chugach Electric Association
 5601 Electron Drive
 Anchorage, AK 99518

Designer/Project Engineer _____ Date ____/____/____
 Checker _____ Date ____/____/____
 Manager/Supervisor _____ Date ____/____/____

Project: E1813854 Design: 1. PATTERSON AT E TUDOR OH/UG 3PH
 CONVERSION
 PATTERSON

In Design
 Grid:
 1740,1839,1840,1739

Structure: 25. POLE 9223

Assembly Unit	Activity	#Cond	Qty	Unit Description	Complete	Qty
SG39-25	Remove	0	1	SG39-25 (XFMR,1PH,25 KVA, 3PH, TANGENT)		
SUM5	Remove	0	1	SUM5 (SECONDARY RISER)		
SUM5	Remove	0	1	SUM5 (SECONDARY RISER)		

Remarks:

Structure: 26. POLE 8623

Assembly Unit	Activity	#Cond	Qty	Unit Description	Complete	Qty
2 ACSR 3 PH	Remove	3	165	2 ACSR Conductor 3 PH (OH PRIMARY CONDUCTOR)		
2 ACSR Neutral	Remove	1	165	2 ACSR Neutral		
C1	Remove	0	1	C1 (XARM SINGLE SUPPORT)		
M2-11	Remove	0	1	M2-11 (POLE GROUNDING ASSY)		
POLE40/4	Remove	0	1	POLE40/4 (POLE, 040 CLASS 4)		
SM5-9B 3 PH	Remove	0	1	CUTOUT ASSEMBLY LOAD BREAK XRM MT 3 PH		
SUC1	Remove	0	1	SUC1 (PRI RISER)		
SUM5014FR	Remove	0	1	FIRST 10FT SPARE EMPTY 4" FG RISER		
SUM6-25D 3 PH	Remove	0	1	SUM6-25D (4/0 PRIMARY TERMINATION)		

Remarks:

Structure: 27. POLE 8323

Assembly Unit	Activity	#Cond	Qty	Unit Description	Complete	Qty
2 ACSR 3 PH	Remove	3	50	2 ACSR Conductor 3 PH (OH PRIMARY CONDUCTOR)		
2 ACSR Neutral	Remove	1	50	2 ACSR Neutral		
C1	Remove	0	1	C1 (XARM SINGLE SUPPORT)		
M2-11	Remove	0	1	M2-11 (POLE GROUNDING ASSY)		
POLE40/4	Remove	0	1	POLE40/4 (POLE, 040 CLASS 4)		
SG39-25	Remove	0	1	SG39-25 (XFMR,1PH,25 KVA, 3PH, TANGENT)		
SUM5	Remove	0	1	SUM5 (SECONDARY RISER)		
SUM5	Remove	0	1	SUM5 (SECONDARY RISER)		

Remarks:

Structure: 28. POLE 8222

Assembly Unit	Activity	#Cond	Qty	Unit Description	Complete	Qty
2 ACSR 3 PH	Remove	3	50	2 ACSR Conductor 3 PH (OH PRIMARY CONDUCTOR)		
2 ACSR Neutral	Remove	1	50	2 ACSR Neutral		
POLE40/4	Remove	0	1	POLE40/4 (POLE, 040 CLASS 4)		
SC7	Remove	0	1	SC7 (XARM SINGLE DEADEND)		
SM5-9B	Remove	0	1	CUTOUT ASSEMBLY LOAD BREAK XRM MT		
SM5-9B 3 PH	Remove	0	1	CUTOUT ASSEMBLY LOAD BREAK XRM MT 3 PH		
SUC1A	Remove	0	1	SUC1A (THREE PHASE AND SINGLE PHASE TP)		
SUM5	Remove	0	1	SUM5 (SECONDARY RISER)		
SUM6-25A 1 PH	Remove	0	1	SUM6-25A (#2 PRIMARY TERMINATION)		

Remarks:

Structure: 29. PM 7923

Assembly Unit	Activity	#Cond	Qty	Unit Description	Complete	Qty
1/0 CONC	Install	1	70	1/0 CONC Wire (1/0 CONCENTRIC PRIMARY)		
SHUR2-5	Install	1	40	SHUR2-5 (PRIMARY TRENCH HAND -DIG)		
SUM5012H	Install	1	70	SUM5012H - Conduit ((1) 2" HDPE CONDUIT)		
SUM6-1C 1 PH	Install	0	1	SUM6-1C (1/0 LB ELBOW TERMINATION-15KV)		
SUR2-5	Install	1	30	SUR2-5 (PRIMARY TRENCH)		
2 CONC 1 PH	Remove	1	140	2 CONC Wire 1 PH (#2 CONCENTRIC PRIMARY)		
SUM6-1A 1 PH	Remove	0	1	SUM6-1A (#2 LB ELBOW TERMINATION)		

Remarks: SHUR-5: IT IS UNKNOWN HOW FAR THE GROUND GRID EXTENDS BEYOND THE SUBSTATION FENCE.

Structure: 30. PM 8323

Assembly Unit	Activity	#Cond	Qty	Unit Description	Complete	Qty
1/0 CONC	Install	1	340	1/0 CONC Wire (1/0 CONCENTRIC PRIMARY)		
SHUR2-5	Install	1	10	SHUR2-5 (PRIMARY TRENCH HAND -DIG)		
SUG7-25	Install	0	1	SUG7-25 (XFMR, PM, 25 KVA, 1 PH, LOOP)		
SUM1	Install	0	1	SUM1 (CONCRETE PAD 1 PH XFMR)		
SUM5012H	Install	1	340	SUM5012H - Conduit ((1) 2" HDPE CONDUIT)		
SUM6-1C 1 PH	Install	0	1	SUM6-1C (1/0 LB ELBOW TERMINATION-15KV)		
SUM6-1C 1 PH	Install	0	1	SUM6-1C (1/0 LB ELBOW TERMINATION-15KV)		

Chugach Electric Association
 5601 Electron Drive
 Anchorage, AK 99518

Designer/Project Engineer _____ Date ____/____/____
 Checker _____ Date ____/____/____
 Manager/Supervisor _____ Date ____/____/____

Project: E1813854 Design: 1. PATTERSON AT E TUDOR OH/UG 3PH
 CONVERSION
 PATTERSON

In Design
 Grid:
 1740,1839,1840,1739

Remarks: COMMON TRENCH WITH 22. PM 9020

BANK MAY NEED TO BE DUG OUT A BIT FOR THE TRANS. LOCATION

Structure: 31. PED 8123

Assembly Unit	Activity	#Cond	Qty	Unit Description	Complete	Qty
4/0 RIBB	Install	1	50	4/0 3-WIRE SECONDARY		
SHUR2-3	Install	1	25	SHUR2-3 (SECONDARY TRENCH - HAND DIG)		
SUM5012H	Install	1	50	SUM5012H - Conduit ((1) 2" HDPE CONDUIT)		
4/0 RIBB Secondary	Abandon	1	50	4/0 3-WIRE SECONDARY		

Remarks:

Structure: 32. PED 8523

Assembly Unit	Activity	#Cond	Qty	Unit Description	Complete	Qty
4/0 RIBB	Install	1	130	4/0 3-WIRE SECONDARY		
SHUR2-3	Install	1	15	SHUR2-3 (SECONDARY TRENCH - HAND DIG)		
SUM5012H	Install	1	130	SUM5012H - Conduit ((1) 2" HDPE CONDUIT)		
4/0 RIBB Secondary	Abandon	1	40	4/0 3-WIRE SECONDARY		

Remarks: 115' COMMON TRENCH WITH PM 8120

Structure: 33. PM 9223

Assembly Unit	Activity	#Cond	Qty	Unit Description	Complete	Qty
1/0 CONC	Install	1	340	1/0 CONC Wire (1/0 CONCENTRIC PRIMARY)		
SUG7-25	Install	0	1	SUG7-25 (XFMR, PM, 25 KVA, 1 PH, LOOP)		
SUM1	Install	0	1	SUM1 (CONCRETE PAD 1 PH XFMR)		
SUM1-GPA	Install	0	1	SUM1-GPA (GUARD POST W/SLEEVE)		
SUM1-GPA	Install	0	1	SUM1-GPA (GUARD POST W/SLEEVE)		
SUM5012H	Install	1	340	SUM5012H - Conduit ((1) 2" HDPE CONDUIT)		
SUM6-1C 1 PH	Install	0	1	SUM6-1C (1/0 LB ELBOW TERMINATION-15KV)		
SUM6-1C 1 PH	Install	0	1	SUM6-1C (1/0 LB ELBOW TERMINATION-15KV)		

Remarks:

Structure: 34. PED 9123

Assembly Unit	Activity	#Cond	Qty	Unit Description	Complete	Qty
4/0 RIBB	Install	1	90	4/0 3-WIRE SECONDARY		
SHUR2-3	Install	1	50	SHUR2-3 (SECONDARY TRENCH - HAND DIG)		
SUM5012H	Install	1	90	SUM5012H - Conduit ((1) 2" HDPE CONDUIT)		
4/0 RIBB Secondary	Abandon	1	40	4/0 3-WIRE SECONDARY		

Remarks:

Structure: 35. PED 9623

Assembly Unit	Activity	#Cond	Qty	Unit Description	Complete	Qty
4/0 RIBB	Install	1	90	4/0 3-WIRE SECONDARY		
SHUR2-3	Install	1	5	SHUR2-3 (SECONDARY TRENCH - HAND DIG)		
SUM5012H	Install	1	90	SUM5012H - Conduit ((1) 2" HDPE CONDUIT)		
4/0 RIBB Secondary	Abandon	1	105	4/0 3-WIRE SECONDARY		

Remarks: COMMON TRENCH WITH PM 9120

Structure: 36. POLE 0233

Assembly Unit	Activity	#Cond	Qty	Unit Description	Complete	Qty
4/0 BACU	Install	1	40	4/0 BACU Wire (4/0 BARE COPPER NEUTRAL)		
750 CONC 15KV	Install	3	40	750 CONC 15KV (WIRE, AL JCN 750MCM EPR)		
POLE45/1	Install	0	1	POLE45/1 (POLE, 045 CLASS 1)		
SC7A-1	Install	0	1	SC7A-1 (XARM SINGLE DEADEND)		
SE15	Install	0	1	SE15 (DOWN GUY, DBL. 32M)		
SF7C	Install	0	1	SF7C (ANCHOR, 7' CONCRETE)		
SHUR2-5	Install	1	10	SHUR2-5 (PRIMARY TRENCH HAND -DIG)		
SHURS-5	Install	1	10	SHURS-5 (PRIMARY SANDED TRENCH - HAND D)		
SM2-11	Install	0	1	SM2-11 (POLE GROUNDING ASSY)		
SR1-16	Install	1	40	SR1-16 (CLEARING, 16' FOR UG LINES)		
SUC3	Install	0	1	SUC3 (PRI RISER)		
SUM5026H	Install	1	40	SUM5026H - Conduit ((2) 6" HDPE CONDUIT)		
SUM6-25F 3 PH	Install	0	1	SUM6-25F (750 MCM PRIMARY TERMINATION)		
SUM6-28F 3 PH	Install	0	1	SUM6-28F (750 MCM PRIMARY SPLICE)		
SUR2-5	Install	1	20	SUR2-5 (PRIMARY TRENCH)		
1/0 ACSR Neutral	Remove	1	40	1/0 ACSR Neutral		
4/0 ACSR	Remove	3	40	4/0 ACSR (OH PRIMARY CONDUCTOR)		

Chugach Electric Association
 5601 Electron Drive
 Anchorage, AK 99518

Designer/Project Engineer _____ Date ____/____/____
 Checker _____ Date ____/____/____
 Manager/Supervisor _____ Date ____/____/____

Project: E1813854 Design: 1. PATTERSON AT E TUDOR OH/UG 3PH
 CONVERSION
 PATTERSON

In Design
 Grid:
 1740,1839,1840,1739

Remarks: INTERCEPT EXISTING 750 SHLD / 4/0 BACU SPLICE TO NEW 750 CONC /4/0 BACU AND
 EXTEND TO POLE 0233.
 BFSS 612.
 LAY 40' OF 2-6" HDPE IN TRENCH FOR FUTURE UNDERGROUNDING NORTH

SANDBED SPLICES

Structure: 37. SC 1023

Assembly Unit	Activity	#Cond	Qty	Unit Description	Complete	Qty
MANHOURS	Install	0	0	MANHOURS (MANHOUR OF LABOR)		
STAG-2	Install	0	1	STAG-2 (PRIMARY CABLE TAG)		
STAG-2	Remove	0	1	STAG-2 (PRIMARY CABLE TAG)		

Remarks: REMOVE TAG "TO POLE 9393"
 RETAG SAME "TO EAST THEN NORTH TO SC1138 THRU V9394"

Manufacturer:

Model:

S. & C.

PMH9 600A

SC 1023

Serial Number:

121130

Manufactured Date:

03/01/2012

Notes:

S/N 121130 MFG: 3/12
AS BUILT E1213301
3/25/14 G GURLEY

TO:

CONDUCTOR

VACANT

VACANT

VACANT

VACANT

1/0 CONC TO PM 6793

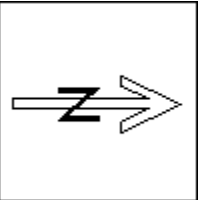
VACANT

Revised Date:

02/11/2016

Revised WO/JO:

DIRECTION
(Reference
to North)

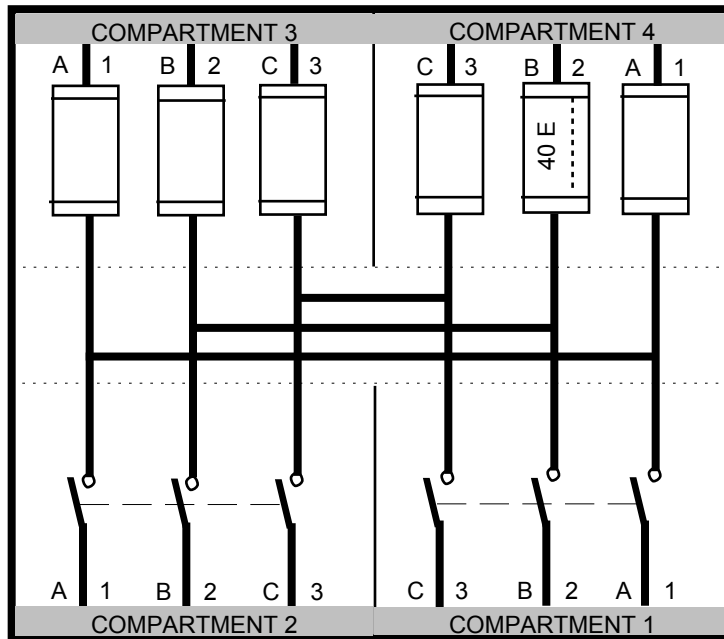


Switch #: 14484

Status: Closed

Switch #: 14485

Status: Closed



Fault Indicators Installed In
Compartments:

2

TO:

CONDUCTOR

~~750 CONC EAST TO POLE 9393~~
~~750 CONC EAST THEN~~
~~NORTH TO SC 1138~~
~~THRU V9394~~

~~750 CONC EAST TO POLE 9393~~
~~750 CONC EAST THEN~~
~~NORTH TO SC 1138~~
~~THRU V9394~~

~~750 CONC EAST TO POLE 9393~~
~~750 CONC EAST THEN~~
~~NORTH TO SC 1138~~
~~THRU V9394~~

750 CONC WEST TO SC 1022, COMP
2, THRU VAULT 5493

750 CONC WEST TO SC 1022, COMP
2, THRU VAULT 5493

750 CONC WEST TO SC 1022, COMP
2, THRU VAULT 5493

Fuse Holder Type:

SML20

Spare Fuse Holder
Installed:

N



LOCATION

600' WEST OF THE INTERSECTION OF
PATTERSON & TUDOR RD., S SIDE OF
TUDOR RD.

Grid Map Location No.: 1839 - 7792

Inspected by: G GURLEY

Install Date: 03/25/2014

Install Work
Order ID: E1213301

Feeder: BFSS 512

Manufacturer:

S & C

Model:

PMH 9

SC 1138

Serial Number:

Manufactured Date:

Notes:

TO:

CONDUCTOR

VACANT

VACANT

VACANT

1/0 CONC SOUTH THEN EAST
TO PM 0304A

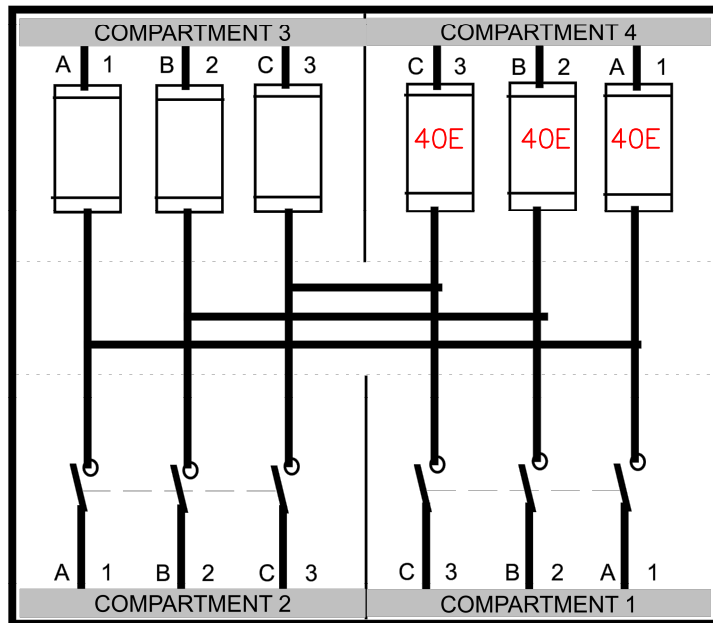
1/0 CONC SOUTH THEN EAST
TO PM 0304

1/0 CONC SOUTH THEN EAST
TO PM 0205

Revised Date:

Revised WO/JO:

DIRECTION
(Reference
to North)



Switch #: 14754
Status: CLOSED

Switch #: 14755
Status: CLOSED

TO:

CONDUCTOR

750 CONC NORTH TO SC 1139

750 CONC NORTH TO SC 1139

750 CONC NORTH TO SC 1139

750 CONC SOUTH THEN WEST
THRU V9394 TO SC 1023

750 CONC SOUTH THEN WEST
THRU V9394 TO SC 1023

750 CONC SOUTH THEN WEST
THRU V9394 TO SC 1023

Fault Indicators Installed In
Compartments:

1

Fuse Holder Type:

SMU-20

Spare Fuse Holder
Installed:



LOCATION

SOUTH EAST CORNER PARKING
LOT CENTURY VILLAGE
PATTERSON ST

Grid Map Location No.: 1739 - 9805

Inspected by: _____

Install Date: _____

Install Work

Order ID: _____

Feeder: _____

Manufacturer:

S & C

Model:

PMH 9

SC 1139

Serial Number:

Manufactured Date:

Notes:

TO:

CONDUCTOR

4/0 CONC NORTH THEN WEST
THEN SOUTH TO PM 9020

4/0 CONC NORTH THEN WEST
THEN SOUTH TO PM 9020

4/0 CONC NORTH THEN WEST
THEN SOUTH TO PM 9020

1/0 CONC NOTH THEN WEST
TO PM 9223

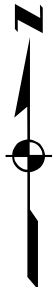
VACANT

VACANT

Revised Date:

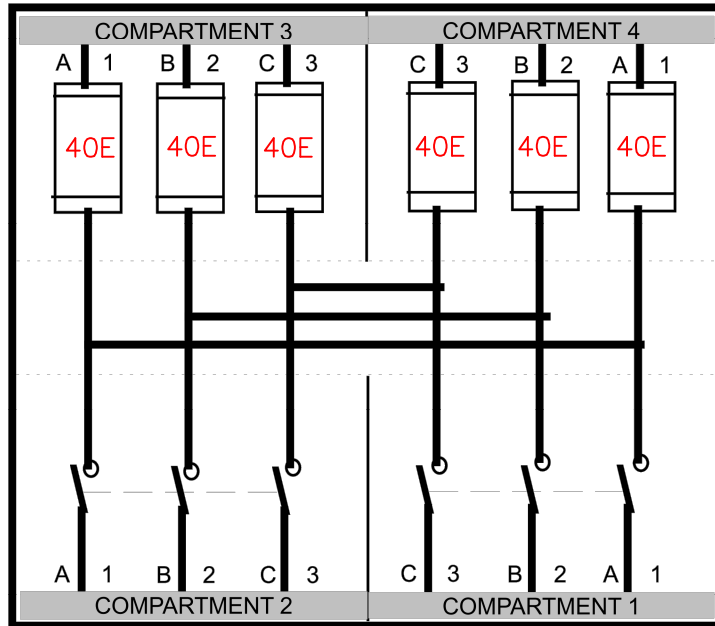
Revised WO/JO:

DIRECTION
(Reference
to North)



Switch #: 14756

Status: TO BE
CLOSED



Switch #: 14757

Status: CLOSED

TO:

CONDUCTOR

750 CONC TO BRK 512 TO BE
INSTALLED ON E2020057

750 CONC TO BRK 512 TO BE
INSTALLED ON E2020057

750 CONC TO BRK 512 TO BE
INSTALLED ON E2020057

750 CONC SOUTH TO SC 1138
THRU V9394 TO SC 1023

750 CONC SOUTH TO SC 1138
THRU V9394 TO SC 1023

750 CONC SOUTH TO SC 1138
THRU V9394 TO SC 1023

Fault Indicators Installed In
Compartments:

1

Fuse Holder Type:

SMU-20

Spare Fuse Holder
Installed:



LOCATION

SOUTH OF THE ACCESS RD TO
BONIFACE SUB. OFF PATTERSON
ST

Grid Map Location No.: 1739 - 9820

Inspected by:

Install Date:

Install Work
Order ID:

Feeder:

Project : E1813854

PATTERSON

In Design

Work Request: E1813854

Design : 1. PATTERSON AT E TUD

Capital Account: 10720/000/03/7665
Reimbursible Account: / / /
Retirement Account: 10880/326/03/7665

Description	Part Number	Quantity Orderd	Issued
Inventory			
ANCHOR, CONCRETE 7FT (FAI-7X)	000000053		1
ARRESTER, SURGE 09KV	000000103		3
POLE, BRACE CROSSARM 28" WOOD	000000314		1
FASTENER, BRACKET CONDUIT STANDOFF	000000322		3
FASTENER, BRACKET CONDUIT STANDOFF W/BRACE	000000323		1
WIRE, AL JCN 15KV #4/0	000000343	5,198	
WIRE, AL JCN 15KV 750MCM EPR	000000346	3,554	
WIRE, AL JCN 15KV #1/0	000000352	2,295	
WIRE, AL URD SVC #4/0 2/0 4/0(SWEETBRIAR)	000000368	536	
WIRE, AL XLP 600V 1C #2/0 (YALE)	000000371	68	
WIRE, AL URD SERVICE #2 2 2 (RAMAPO)	000000372	167	
WIRE, AL URD SVC #2/0 1 2/0 (CONVERSE)	000000373	68	
WIRE, CU SDB #004 STR	000000375	100	
WIRE, CU SDB #02 STR	000000376	45	
WIRE, CU SDB #4/0 STR (19 STR.)	000000378	254	
DEAD-END, AUTO 12.5M/16M ALUMOWELD (7#87#9)	000000817	2	
DEAD-END, COMP D.E. ASS'Y 336 ACSR LINNET	000000834	4	
DEAD-END, PREFORM 16M ALUMOWELD (7#8)	000000874	2	
CLEVIS, THIMBLE 3/4" 40K	000000954	1	
ANCHOR, SHACKLE 7/8"	000000958	1	
CONNECTOR, CONNECTOR,SC EQUIPMENT GROUND,4/0 AWG	000001451	10	
LUG, COMP LUG AL 2H #1/0	000001509	4	
LUG, COMP LUG AL 2H #4/0	000001513	3	
LUG, COMP LUG AL 2H 750	000001515	15	
FASTENER, CLAMP GROUND ROD 3/4"	000001532	8	
FASTENER, CLAMP, GROUND ROD, 4/0 AWG	000001533	4	
CONNECTOR, CONNECTOR STUD DISCONNECT 1/0 - 4/0 ACSR	000001568	1	
CONNECTOR, UG CONN BLOCK XFMR NEUT 05/8" STUD SET SCREW	000001592	5	
CONNECTOR, UG CONN BLOCK XFMR SEC 6 POS SET SCREW	000001601	10	
POLE, CROSSARM DIST 08' 3 5/8" X 4 5/8"	000001616	1	
POLE, CROSSARM, GUYED DEADEND ASSY,8',3-WIRE	000001623	1	
FUSE, S&C END FITTING SML-20	000001709	7	
CABINET, SWITCH PMH-09 (600A) 15KV	000002421	2	
GUY, GUARD PLASTIC	000002750	2	
DEAD-END, DE INSUL EPOX 08/15KV	000003328	3	
PAD, CONC. SUM1 1 PHASE XFMR PAD, J-BOX	000003742	5	
PAD, CONC. SUM1-F 600A SW CABINET 15KV	000003746	2	
POLE, 045 CLASS 1	000003866	1	
ANCHOR, ROD TW EYE 1" X 10'	000004049	2	
LINE, GROUND ROD 3/4" X 8'	000004067	12	
CONDUIT, PVC 2"	000004154	11	
CONDUIT, PVC 6"	000004160	20	
CONDUIT, HDPE 2"	000004161	3,652	
CONDUIT, GRC EL 90 DEG 2" 36" RADI	000004165	6	
CONDUIT, FG EL 90 DEG 4" 36" RADI	000004168	5	
CONDUIT, FG EL 90 DEGREE 4" 60" RADI	000004170	5	
CONDUIT, FG EL 90 DEG 6" 60" RADI	000004173	2	
CONDUIT, PVC EL 90 DEG 2" 24" RADI	000004176	2	
CONDUIT, FG EL 45 DEGREE 4" 48" RADI	000004183	1	
CONDUIT, FG EL 45 DEG 6" 60" RADI	000004185	12	
PAD, CONC. GUARD POST 9"	000004186	7	
CONDUIT, CHANNEL PIPE STRAP 6"	000004242	4	
KIT, PRIMARY SPLICE JACKET KIT #02-4/0	000004506	3	
KIT, PRIMARY SPLICE 15KV 4/0 JCN	000004510	3	
KIT, PRIMARY SPLICE 15KV 750MCM JCN	000004513	6	
LINE, BRACKET CABLE SUPPORT	000004646	21	
KIT, PRIMARY TERM 15KV #02-1/0 JCN	000004767	4	
KIT, PRIMARY TERM 15KV 3/0-350MCM JCN	000004772	3	
KIT, PRIMARY TERM 15KV 750MCM JCN	000004773	15	
UG ACCES 08/15KV ELBOW TERM #1/0	000004785	10	
UG ACCES 08/15KV ELBOW TERM #4/0 LB W/ADAPTER	000004787	15	
BUSHING, UG ACCES 08/15KV INSERT BSHG CAP	000004793	2	
TRANSFORMER, 0025 KVA PM 1/PH 07.2/12.4 120/240	000004907	4	
TRANSFORMER, 0025 KVA PM 1/PH 07.2/12.4 240/480	000004919	1	

Control Number _____
 Legal Description _____
 Charge for Materials Yes ___ No ___ Sale ___ P.O. No. _____
 Issued By _____ Received By _____ Date ____/____/____
 Contractor _____
 Special Notes:

CHUGACH ELECTRIC ASSOCIATION, INC.
MATERIAL ISSUE TICKET

Project : E1813854

PATTERSON

In Design

Work Request: E1813854

Design : 1. PATTERSON AT E TUD

Capital Account: 10720/000/03/7665

Reimbursible Account: / / /

Retirement Account: 10880/326/03/7665

Description	Part Number	Quantity Orderd	Issued
GUY, WIRE GUY 16M ALUMOWELD (7#8)	0000005157	120	_____
SHRINK, CABLE SEALER COLD SHRINK 2/0-1000 MCM	0000011586	15	_____
CONDUIT, HDPE 4"	0000011877	1,548	_____
CONDUIT, HDPE 6"	0000011888	1,936	_____
SHRINK, CABLE SEALER COLD SHRINK 2-4/0	0000012084	10	_____
WIRE, CU, COVERED TAP, #4/0	0000012098	15	_____
CONDUIT, PLUG, TRIPLEX (350/750 CONC), 6" DUCT	0000012323	1	_____
DEAD-END, DE TEE 7/8"	0000012491	1	_____
LINE, UG INDICATOR FAULT CURRENT RESET 600A TRIP (350-750 KCMIL)	0000013367	2	_____
CONDUIT, FG EL 30 DEG 4" 48" RADIUS	0000014433	1	_____
GUY, ATTACHMENT CONNECTING LINK, TWISTED	0000015244	2	_____
GUY, ATTACHMENT ROLLER	0000015246	2	_____
PAD, CONC. GUARD POST COVER	0000015824	7	_____
Cable Rack, Stanchion, Underground Devices CR12-B	0000017446	16	_____
Cable Rack, 8", Underground Devices RA08	0000017447	16	_____
Pull Vault, Top Section, UV 675-TL-2-332P ((3,300 lbs.)	0000017448	2	_____
Pull Vault, Middle Section, UV 675-MLW (6,250 lbs.)	0000017449	2	_____
Pull Vault, Base, UV 675-BL (3,680 lbs.)	0000017450	2	_____
Concrete Anchor, 303 stainless steel, 1/2-13	0000017451	16	_____
Washer, 1-1/4 round, flat, 9/16" hole, 316 stainless	0000017452	16	_____
Bolt, Cap Screw, 1/2"-13 x 1-3/8, 316 stainless steel	0000017453	16	_____
CONDUIT, FG 6"	0000019880	10	_____

Non-Inventory

BLUE & GREEN CEA DECAL NON INV	0000010321	9	_____
CABLE BEDDING	0000010563	0	_____
PADLOCKS	0000010613	8	_____
WEDGE ANCHOR .5 X 2.75 NON-INV	0000010657	18	_____

Remarks:

Control Number _____
 Legal Description _____
 Charge for Materials Yes ___ No ___ Sale ___ P.O. No. _____
 Issued By _____ Received By _____ Date ___/___/___
 Contractor _____
 Special Notes:

 Reply all |
  Delete
  Junk |
  ...




ArcFM Designer Order Submitted: DSN368_3



peoplesoft@chugachelectric.com

Today, 2:47 PM

Sue Mattson; Denise Elsenbast; Pat Lorentz

 Reply all |
 

Inbox

Label: RPT-All (2 months) Expires: 8/23/2020 2:47 PM

Order DSN368_3 submitted on 24-JUN-20 by SUEM.




Account :10720-000-03-7665




Project :E1813854-GENERAL

Number of Lines:86

[Open Order in PeopleSoft](#)

Order	Line	Item	Qty	UOM	Descr
DSN368_3	1	0000000053	1	EA	ANCHOR, CONCRETE 7FT (FAI-7X)
DSN368_3	2	0000000103	3	EA	ARRESTER, SURGE 09KV
DSN368_3	3	0000000314	1	EA	POLE, BRACE CROSSARM 28" WOOD
DSN368_3	4	0000000322	3	EA	FASTENER, BRACKET CONDUIT STANDOFF
DSN368_3	5	0000000323	1	EA	FASTENER, BRACKET CONDUIT STANDOFF W/BRACE
DSN368_3	6	0000000343	5198	EA	WIRE, AL JCN 15KV #4/0
DSN368_3	7	0000000346	3554	EA	WIRE, AL JCN 15KV 750MCM EPR
DSN368_3	8	0000000352	2295	EA	WIRE, AL JCN 15KV #1/0
DSN368_3	9	0000000368	536	EA	WIRE, AL URD SVC #4/0 2/0 4/0(SWEETBRIAR)
DSN368_3	10	0000000371	68	EA	WIRE, AL XLP 600V 1C #2/0 (YALE)
DSN368_3	11	0000000372	167	EA	WIRE, AL URD SERVICE #2 2 2 (RAMAPO)
DSN368_3	12	0000000373	68	EA	WIRE, AL URD SVC #2/0 1 2/0 (CONVERSE)
DSN368_3	13	0000000375	100	EA	WIRE, CU SDBJAVASCRIPT:SUBMITACTION_WIN0(DOCUMENT.
DSN368_3	14	0000000376	45	EA	WIRE, CU SDB #02 STR
DSN368_3	15	0000000378	254	EA	WIRE, CU SDB #4/0 STR (19 STR.)
DSN368_3	16	0000000817	2	EA	DEAD-END, AUTO 12.5M/16M ALUMOWELD (7#87#9)
DSN368_3	17	0000000834	4	EA	DEAD-END, COMP D.E. ASS'Y 336 ACSR LINNET
DSN368_3	18	0000000874	2	EA	DEAD-END, PREFORM 16M ALUMOWELD (7#8)
DSN368_3	19	0000000954	1	EA	CLEVIS, THIMBLE 3/4" 40K
DSN368_3	20	0000000958	1	EA	ANCHOR, SHACKLE 7/8"
DSN368_3	21	0000001451	10	EA	CONNECTOR,SC EQUIPMENT GROUND,4/0 AWG
DSN368_3	22	0000001509	4	EA	LUG, COMP LUG AL 2H #1/0
DSN368_3	23	0000001513	3	EA	LUG, COMP LUG AL 2H #4/0
DSN368_3	24	0000001515	15	EA	LUG, COMP LUG AL 2H 750
DSN368_3	25	0000001532	8	EA	FASTENER, CLAMP GROUND ROD 3/4"
DSN368_3	26	0000001533	4	EA	FASTENER, CLAMP, GROUND ROD, 4/0 AWG
DSN368_3	27	0000001568	1	EA	CONNECTOR, CONNECTOR STUD DISCONNECT 1/0 - 4/0 ACS
DSN368_3	28	0000001592	5	EA	CONNECTOR, UG CONN BLOCK XFMR NEUT 05/8" STUD SET
DSN368_3	29	0000001601	10	EA	CONNECTOR, UG CONN BLOCK XFMR SEC 6 POS SET SCREW
DSN368_3	30	0000001616	1	EA	POLE, CROSSARM DIST 08' 3 5/8" X 4 5/8"
DSN368_3	31	0000001623	1	EA	POLE, CROSSARM, GUYED DEADEND ASSY,8',3-WIRE
DSN368_3	32	0000001709	7	EA	FUSE, S&C END FITTING SML-20

	 Reply all	 Delete	Junk	•••	
DSN368_3 35	0000003328	3	EA	DEAD-END, DE INSUL EPOX 08/15KV	
DSN368_3 36	0000003742	5	EA	PAD, CONC. SUM1 1 PHASE XFMR PAD, J-BOX	
DSN368_3 37	0000003746	2	EA	PAD, CONC. SUM1-F 600A SW CABINET 15KV	
DSN368_3 38	0000003866	1	EA	POLE, 045 CLASS 1	
DSN368_3 39	0000004049	2	EA	ANCHOR, ROD TW EYE 1" X 10'	
DSN368_3 40	0000004067	12	EA	LINE, GROUND ROD 3/4" X 8'	
DSN368_3 41	0000004154	11	EA	CONDUIT, PVC 2"	
DSN368_3 42	0000004160	20	EA	CONDUIT, PVC 6"	
DSN368_3 43	0000004161	3652	EA	CONDUIT, HDPE 2"	
DSN368_3 44	0000004165	6	EA	CONDUIT, GRC EL 90 DEG 2" 36" RADI	
DSN368_3 45	0000004168	5	EA	CONDUIT, FIBERGLASS ELBOW 90 DEG 4" 36" RADIUS	
DSN368_3 46	0000004170	5	EA	CONDUIT, FIBERGLASS ELBOW 90 DEGREE 4" 60" RADIUS	
DSN368_3 47	0000004173	2	EA	CONDUIT, FIBERGLASS ELBOW 90 DEG 6" 60" RADIUS	
DSN368_3 48	0000004176	2	EA	CONDUIT, PVC EL 90 DEG 2" 24" RADI	
DSN368_3 49	0000004183	1	EA	CONDUIT, FIBERGLASS ELBOW 45 DEGREE 4" 48" RADIUS	
DSN368_3 50	0000004185	12	EA	CONDUIT, FIBERGLASS ELBOW 45 DEG 6" 60" RADI	
DSN368_3 51	0000004186	7	EA	PAD, CONC. GUARD POST 9'	
DSN368_3 52	0000004242	4	EA	CONDUIT, CHANNEL PIPE STRAP 6"	
DSN368_3 53	0000004506	3	EA	KIT, PRIMARY SPLICE JACKET KIT #02-4/0	
DSN368_3 54	0000004510	3	EA	KIT, PRIMARY SPLICE 15KV 4/0 JCN	
DSN368_3 55	0000004513	6	EA	KIT, PRIMARY SPLICE 15KV 750MCM JCN	
DSN368_3 56	0000004646	21	EA	LINE, BRACKET CABLE SUPPORT P/N CS820	
DSN368_3 57	0000004767	4	EA	KIT, PRIMARY TERM 15KV #02-1/0 JCN	
DSN368_3 58	0000004772	3	EA	KIT, PRIMARY TERM 15KV 3/0-350MCM JCN	
DSN368_3 59	0000004773	15	EA	KIT, PRIMARY TERM 15KV 750MCM JCN	
DSN368_3 60	0000004785	10	EA	ELBOW, UG ACCES 08/15KV ELBOW TERM #1/0	
DSN368_3 61	0000004787	15	EA	ELBOW, UG ACCES 08/15KV ELBOW TERM #4/0 LB W/ADAPT	
DSN368_3 62	0000004793	2	EA	BUSHING, UG ACCES 08/15KV INSERT BSHG CAP	
DSN368_3 63	0000004907	4	EA	TRANSFORMER, 0025 KVA PM 1/PH 07.2/12.4 120/240	
DSN368_3 64	0000004919	1	EA	TRANSFORMER, 0025 KVA PM 1/PH 07.2/12.4 240/480	
DSN368_3 65	0000005157	120	EA	GUY, WIRE GUY 16M ALUMOWELD (7#8)	
DSN368_3 66	0000011586	15	EA	SHRINK, CABLE SEALER COLD SHRINK 2/0-1000 MCM	
DSN368_3 67	0000011877	1548	EA	CONDUIT, HDPE 4" (40 FT STICK)	
DSN368_3 68	0000011888	1936	EA	CONDUIT, HDPE 6" (40 FT STICK)	
DSN368_3 69	0000012084	10	EA	SHRINK, CABLE SEALER COLD SHRINK 2-4/0	
DSN368_3 70	0000012098	15	EA	WIRE, CU, COVERED TAP, #4/0, 500' REELS.	
DSN368_3 71	0000012323	1	EA	CONDUIT, PLUG, TRIPLEX (350/750 CONC), 6" DUCT	
DSN368_3 72	0000012491	1	EA	DEAD-END, DE TEE 7/8"	
DSN368_3 73	0000013367	2	EA	LINE, UG INDICATOR FAULT CURRENT RESET 600A TRIP (
DSN368_3 74	0000014433	1	EA	CONDUIT, FIBERGLASS ELBOW 30 DEG 4" 48" RADIUS	
DSN368_3 75	0000015244	2	EA	GUY, ATTACHMENT CONNECTING LINK, TWISTED	
DSN368_3 76	0000015246	2	EA	GUY, ATTACHMENT ROLLER	
DSN368_3 77	0000015824	7	EA	PAD, CONC. GUARD POST COVER	
DSN368_3 78	0000017446	16	EA	FIBERGLASS CABLE SUPPORT STANCHION	
DSN368_3 79	0000017447	16	EA	FIBERGLASS CABLE SUPPORT ARMS	
DSN368_3 80	0000017448	2	EA	CONCRETE PULL BOX 675 COVER, HINGED DOOR STYLE, 3-	
DSN368_3 81	0000017449	2	EA	CONCRETE PULL BOX 675, VAULT, 3-PHASE FEEDER"H" VA	

 Reply all v	 Delete	Junk v	...	
DSN368_3 83	0000017451	16	EA	CONCRETE ANCHOR 1/2" STAINLESS STEEL
DSN368_3 84	0000017452	16	EA	WASHER, CONCRETE ANCHOR 1/2" STAINLESS STEEL FLAT
DSN368_3 85	0000017453	16	EA	BOLT, CONCRETE ANCHOR 1/2"
DSN368_3 86	0000019880	10	EA	CONDUIT, FIBERGLASS 6" 10' LENGTHS